
Multifunctional Solar LED Security Light (Talent 8W) Specification



Product Name	Multifunctional Solar LED Security Light
Specification	LD-SSL-8W-Talent
Date	2021-11-12
Version	REV 1.0



IEC62471



Features & Advantages

- The third generation, patent new design with geometric, foldable, adjustable, ultra-thin, split and integrated selectable functions, super flexible!
- 7 in 1 installation: integrated wall mounting, split wall mounting, portable, hanging, paste, magnet adsorption, standing installation (column, table lamp).
- Solar panel is 180° vertically and 360° horizontally adjustable, tool-free to set for best solar charging in different locations.
- Lighting directions is 180° adjustable, easy to set desired lighting direction or area.
- Mono solar panel with tempered glass, high efficiency 21%, fast solar charging, 20years lifespan.
- Big capacity battery with over-charge and over-discharge protection, safe and durable.
- Digital PIR sensor detective, 120° detective, high sensitivity.
- Ultra bright 950LM by optical design, anti-glare.
- Two optional work modes for different applications and weathers.
- IP65 waterproof in full directions.
- Widely used for garden, pathway, wall light, camping light, work light, parking lot etc.

Product



Transparent cover

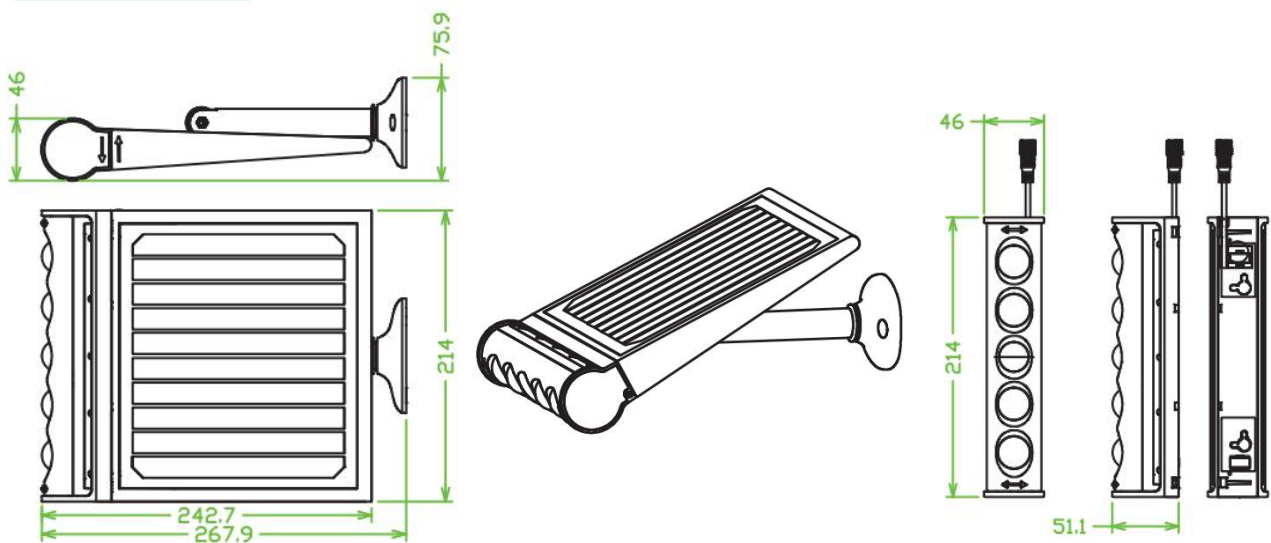


Milky cover

Specifications

Item No.	LD-SSL-8W-Talent	Dimension	267.9*214*75.9mm
Power	8W	Lumen	950LM (Transparent cover) y
Solar Panel	4.5Wp, 5.5V Mono with Tempered Glass	Battery Pack	18650/4000mAh/3.7V/14.8Wh, replaceable
LED type	SMD2835*64pcs	CCT	6500K
Beam Angle	120°	PIR sensor Range	Detection angle: 120° Detection area: ≤8M
Charging Time by Solar	5~6 hours strong sunshine to fully charge	Lighting Time	Mode A: 3~5 Nights Mode B: 2~3 Nights
IP Class	IP65	Working Temp	-20C°- 50C°
Solar Panel Cable	3Mtrs long	Housing Material	ABS+PC housing, Anti-UV, V0 material for fire-proof
Installation Height	Less than 4mtrs	Warranty	2 years(battery 1 year warranty)
Packing	Colorbox (1PC * Lamp, 2PCS * Screws with Flat & Spring Washers, 2PCS * Screws, 2PCS * Tape, 1PC*User Manual)		

Dimension



Multifunctional with Different Working Modes



Please rotate the lamp head and press the button to select working mode.

1. Press the button 1st time, the lamp turns on and enter Mode A.
2. Press the button 2nd time, lamp shines once and turns to Mode B.
3. Press the button 3rd time, lamp turns off.

Mode A

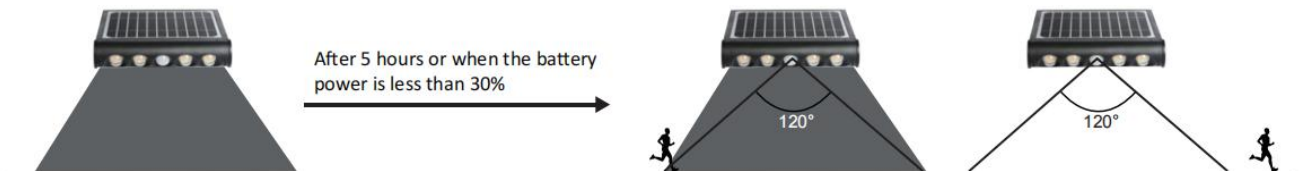
When battery power is more than 30% :

Lamp automatically lights up at night and turns to 100% brightness when motion is detected in the range ≤ 8 mtrs, then dim to 5% brightness after 20 seconds of no motion.

When battery power is less than 30%:

Lamp automatically lights up at night and turns to full brightness when motion is detected in the range ≤ 8 mtrs and then turn off after 20 seconds of no motion.

Mode B



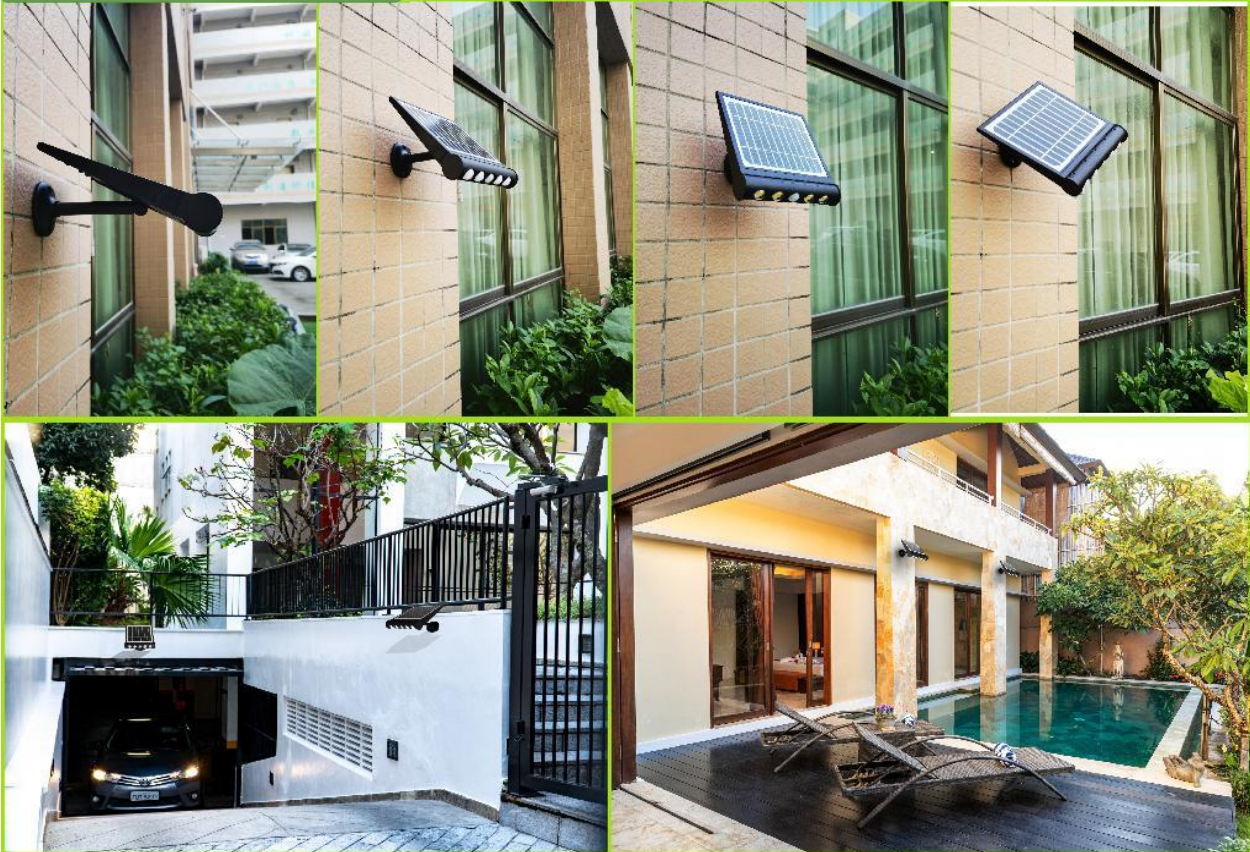
Lamp automatically light up at night and keep 100% brightness, after 5 hours or when battery capacity is less than 30%, lamp turns to energy saving mode: Lamp automatically turns to 100% brightness when motion is detected in the range ≤ 8 mtrs, then turns off after 10 seconds of no motion.

Kind Remind: When the lamp is not connected with solar panel, the light sensor is disabled.

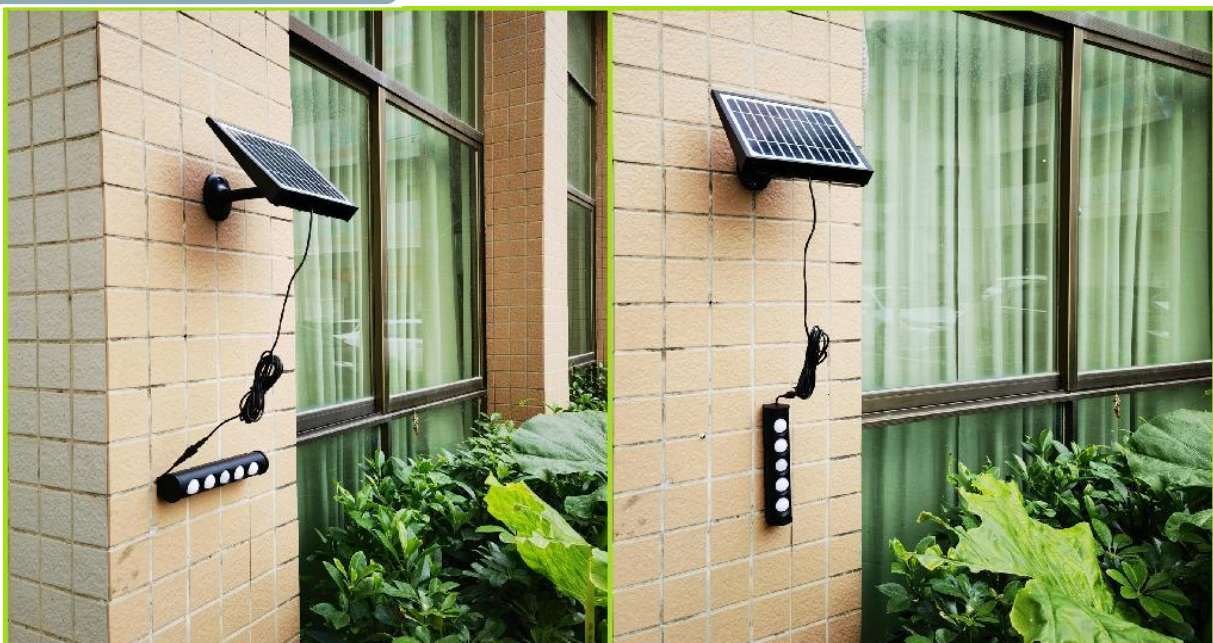
Wide Applications

Widely used for Roof, Doorway, Pathway, Swimming Pool, Yard, Resort, Stairs, Entrance, Patio, Pavilion, Garage, Parking Lot, Campus etc.

Integrated Installation



Split Installation





More Different Types



Potable



Camping



Flashlight



Paste directly



Magnet on Camping



Hanging

Package Content



1PC * Lamp



2PCS * Screws with Flat & Spring Washers (for Wall Mount)



2PCS * Screws (for Hanging)

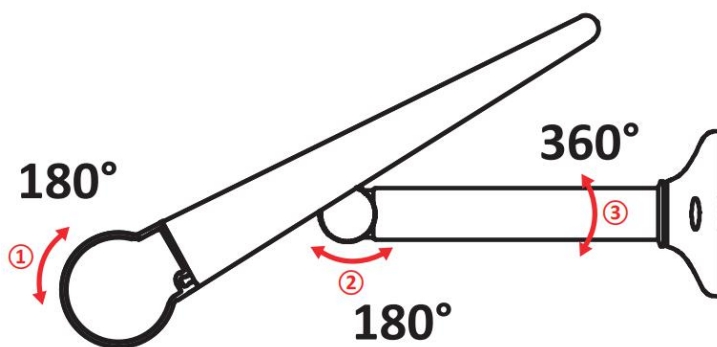


2PCS * Stickers



1PC * User Manual

Installations

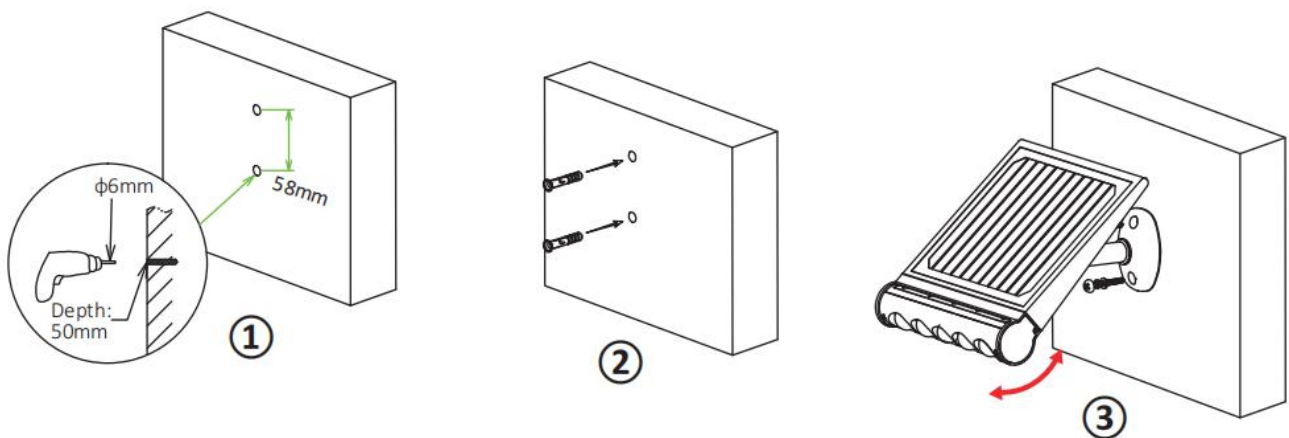


1. Rotate the lamp head to adjust lighting directions, 180° adjustable.

2. Rotate the screw to adjust solar panel vertically, 180° adjustable.

3. Hold the lamp base and rotate the lamp post to adjust whole lamp angle, 360° adjustable.

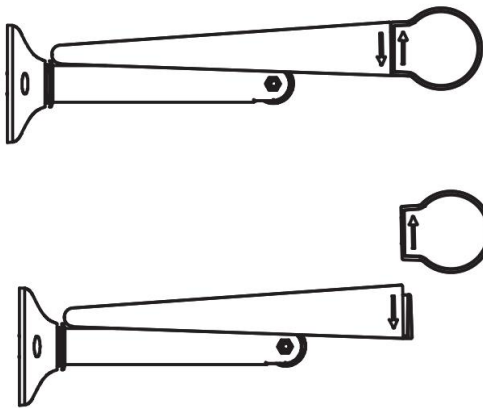
Installation A: Integrated Wall Mount



The recommended mounting height is 2-4Mtrs.

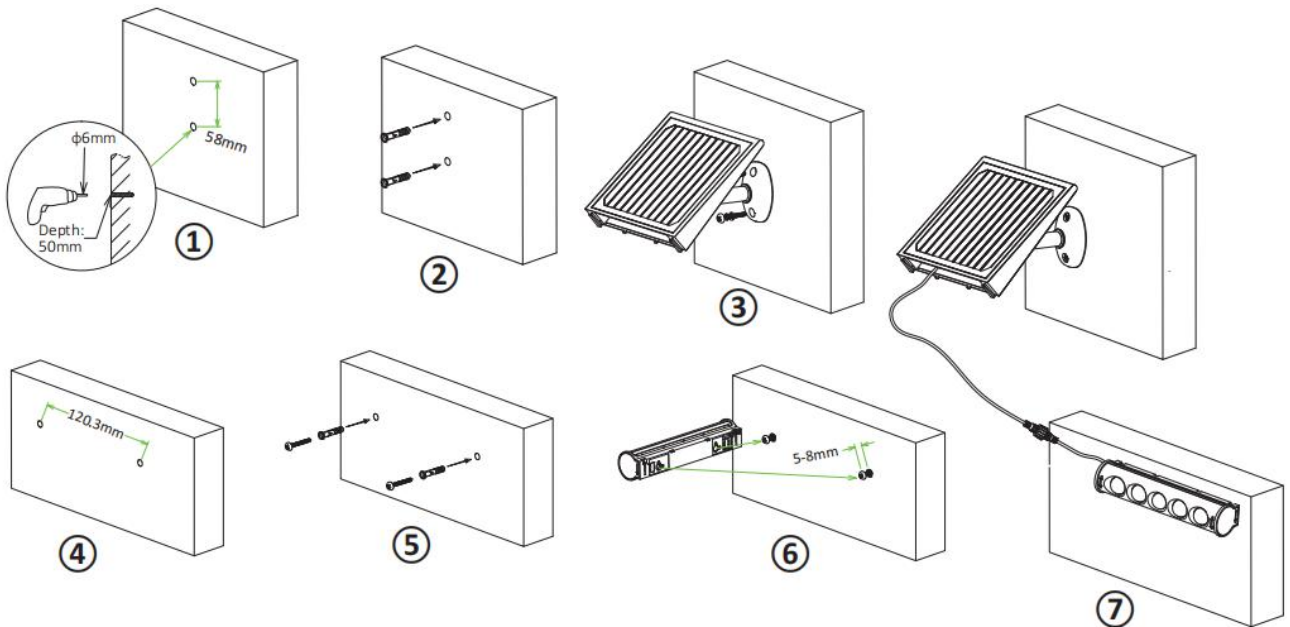
1. Please use the measure card to drill 2 holes ($\phi 6\text{mm}$, depth 50mm) with a spacing of 58mm.
2. Fix the expansion plugs in the holes.
3. Use screws with flat & spring washers to fix the lamp on the wall. Adjust solar panel angle and lighting direction as needed.

Installation B: Split Wall Mount



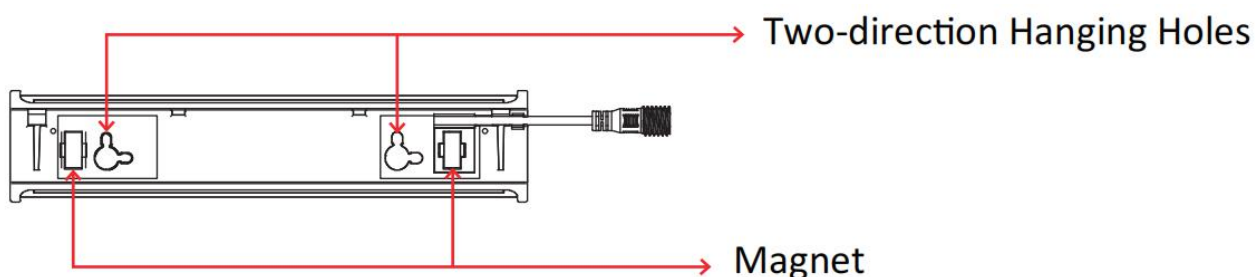
1. The lamp head can be removed according to the arrows on the side of the lamp for split installation.

2. The connection cable is 3m long, please confirm the installation position of the solar panel and the lamp before installation.



- ① Drill 2 holes (ϕ 6mm, depth 50mm) with a spacing of 58mm.
- ② Fix the expansion plugs in the holes.
- ③ Use screws with flat & spring washers to fix the lamp on the wall.
- ④ Drill 2 holes (ϕ 6mm, depth 50mm) with a spacing of 120.3mm.
- ⑤ Fix the expansion plugs in the holes, then fix the screws into the expansion plugs, keeping the screws protruding 5-8mm.
- ⑥ Hang the lamp on the screws.
- ⑦ Connect the cable of solar panel to lamp.

More Optional Installations



When the lamp is used as a split type, the lamp can also be installed in the following ways:

Installation C:

There is a magnet on the back of the lamp, lamp can be attached to a flat metal surface.

Installation D:

The lamp can be also directly pasted on the wall or other flat surface with provided 3M tape.

Installation E:

The lamp can be hung in 2 different directions.

Notice

1. This is a solar powered lamp, please install the solar panel in a location where can get enough sunlight.
2. Please note the lighting time depends on sunshine duration & work mode.
3. Please connect the lamp to solar panel to get solar charging.
4. Built-in intelligent IC is with over-charge, over-discharge and over-voltage protection, safe and durable.
5. The lamp is equipped with an internal battery pack, which is replaceable.
If any need, please contact the seller for correct new battery pack.
6. Non-professionals please do not disassemble the lamp.
7. Please do not dispose the battery with household garbage to avoid explosion.