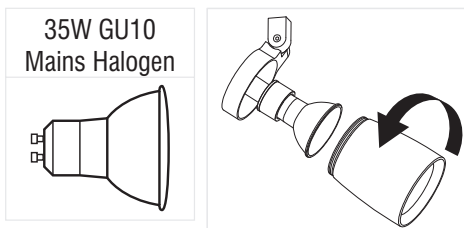


## Commissioning

- Replace the cover on the terminal block.
- Lift the product into place and align the screw holes up with the holes on the bracket.
- Using the supplied allen key, tighten the screws to secure. Take care not to trap any wiring.
- Replace fuse or circuit breaker and switch on. Your light is now ready for use.

## Fitting/replacing bulbs

- When changing a bulb, always switch off at the mains and allow the bulb to cool before handling. Used bulbs should not be disposed of with household waste. Please recycle where facilities exist.
- Always use the correct type and wattage bulb. Using the incorrect wattage bulb will damage the product.
- Use a soft cloth to handle bulbs, avoid directly touching the bulbs as this will shorten their life.
- Unscrew the shades anticlockwise. Remove bulb by turning a quarter turn anticlockwise and pulling out.
- Push the bulb gently into the lampholder and twist a quarter turn clockwise to engage pins. Replace the shade by gently screwing on.



We recommend cleaning with a soft dry cloth. Do not use solvents or abrasive cleaners as these could damage the finish.

Glass parts – Wipe clean with a damp cloth. Do not use abrasive materials as these will damage the finish.

## Recycling advice

 Waste electrical products should not be disposed of with household waste. Please recycle where facilities exist. Check with your Local Authority or retailer for recycling advice.

## Safety information

For your safety, always switch off the power supply before changing lightbulbs, or cleaning.



This bulb is protected by a glass shade. This part must be replaced immediately should the glass shade become cracked or damaged. This fitting must not be used without the glass shade in place.

## Instruction leaflet

# Knight Spotlight

39168



Thank you for purchasing this light fitting. Please read the instructions carefully before use to ensure safe and satisfactory operation of this product. Please retain these instructions for future reference.

## Warning

**This light fitting is double insulated (class 2) and does not require connection to an Earth circuit**

Please read these instructions carefully before commencing any work.

This unit must be fitted by a competent and qualified electrician.

Install in accordance with IEE Wiring regulations and current Building Regulations.

To prevent electrocution switch off at mains supply before installing or maintaining this fitting. Ensure other persons cannot restore the electrical supply without your knowledge.

This light fitting should be connected to a fused circuit.

If replacing an existing fitting, make a careful note of the connections.

Always use the correct type and wattage bulb. Never exceed the wattage stated.

When changing a bulb, always switch off at the mains and allow the old bulb to cool down before handling. Dispose of used bulbs carefully and responsibly. This product is suitable for dimming when used in conjunction with a dimmable lamp. Please ensure verification of dimming abilities with the lamp manufacture prior to use.

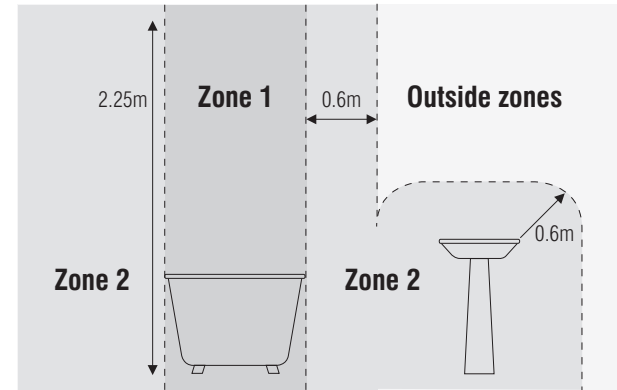
Waste electrical products should not be disposed of with household waste. Please recycle where facilities exist. Check with your local authority or retailer for recycling advice.

## Specification

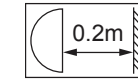
Voltage: 220-240V 50Hz a.c.  
Lamp: 3 x Max. 35W GU10  
IP rating: 44

## Layout

- Plan the desired layout of this fitting carefully, ensuring the cables will reach the distance between the junction box and the light fitting
- Avoid locating any cables in positions that would cause a hazard. Position cables and junction boxes (not supplied) away from areas where they may be at risk from being cut, trapped or damaged
- The mains supply cable must have a minimum cross sectional area of 1.0mm<sup>2</sup>
- This product must be mounted out of arms reach.
- This product has special protection against the ingress of moisture and is IP44 rated.



This product is suitable for use in Zone 2 and outside Zones of a bathroom. See diagram. If this unit is being fitted in a room containing a bath or shower, a 30mA RCD must be used, in accordance with IEE regulations.



Spotlights give a concentrated beam of light and must not be positioned any closer than 0.2M (20cm) to the illuminated surface.

## Installation

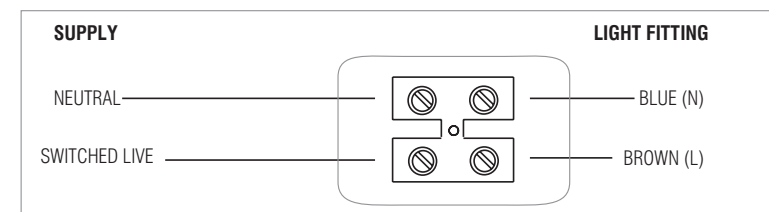
Existing fittings must be completely removed before installation of a new product. Before removing the existing fitting, **carefully note the position of each set of wires.**

- Undo the screws holding the fixing bracket in place and set aside
- Hold the product in place and mark the position of the holes.
- Ensure the ceiling is capable of holding the weight of the product. Take care to avoid damaging any concealed wiring and pipes. The correct fixings should be used. Ensure there is a joist at the point of fixing to support the weight of the product.
- Fix the ceiling bracket into position.

## Wiring

Having correctly identified the wiring from your existing light fitting, pull the wire through the hole and connect to the connection block inside the product in the following way: This unit is double insulated and must not be earthed. If

there are any incoming earth cables, they must be joined together and well insulated with good quality insulation tape. This is to ensure earth continuity throughout your property.



## Check that...

- You have correctly identified the wires
- The connections are tight
- No loose strands have been left out of the connection block