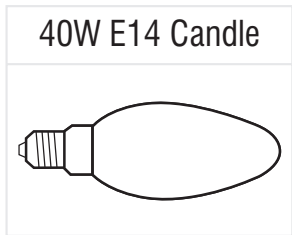


Commissioning

- Ensure that there are no bare or loose strands of wire exposed, and cover all exposed areas of the connection block with two layers of insulation tape.
- Tighten the screws to secure. Take care not to trap any wiring.
- Ensuring the lampholder faces upwards, fit the product onto the wall back and using the supplied allen key,
- Replace fuse or circuit breaker and switch on. Your light is now ready for use.

Fitting/replacing bulbs

- When changing a bulb, always switch off at the mains and allow the bulb to cool before handling. Used bulbs should not be disposed of with household waste. Please recycle where facilities exist.
- Always use the correct type and wattage bulb. Using the incorrect wattage bulb will damage the product.
- Pull the shade gently upwards to remove. Unscrew the bulb anticlockwise to remove.
- Insert the bulb gently into the fitting. Screw clockwise into the lampholder.
- Locate the shade over the spring clamps and push gently down until the shade is sitting correctly.



We recommend cleaning with a soft dry cloth. Do not use solvents or abrasive cleaners as these could damage the finish.

Glass parts – Remove and wash in warm water or just use a damp cloth. Do not use abrasive materials as these will damage the finish.

Recycling advice



Waste electrical products should not be disposed of with household waste. Please recycle where facilities exist. Check with your Local Authority or retailer for recycling advice.

Safety information

For your safety, always switch off the power supply before cleaning lightbulbs, or cleaning.



This bulb is protected by a glass shade. This part must be replaced immediately should the glass shade become cracked or damaged. This fitting must not be used without the glass shade in place.

Instruction leaflet

Square Wall

39627



saxby
lighting

Thank you for purchasing this light fitting. Please read the instructions carefully before use to ensure safe and satisfactory operation of this product. Please retain these instructions for future reference.

Warning

This light fitting is Class 1 and must be connected to an Earth circuit

Please read these instructions carefully before commencing any work.

This unit must be fitted by a competent and qualified electrician.

Install in accordance with IEE Wiring regulations and current Building Regulations.

To prevent electrocution switch off at mains supply before installing or maintaining this fitting. Ensure other persons cannot restore the electrical supply without your knowledge.

This light fitting should be connected to a fused circuit.

If replacing an existing fitting, make a careful note of the connections.

Always use the correct type and wattage bulb. Never exceed the wattage stated.

When changing a bulb, always switch off at the mains and allow the old bulb to cool down before handling. Dispose of used bulbs carefully and responsibly. This product is suitable for dimming when used in conjunction with a dimmable lamp. Please ensure verification of dimming abilities with the lamp manufacture prior to use.

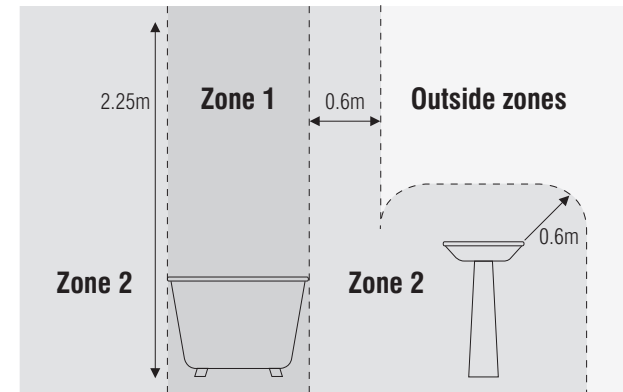
Waste electrical products should not be disposed of with household waste. Please recycle where facilities exist. Check with your local authority or retailer for recycling advice.

Specification

Voltage: 240V 50Hz a.c.
Lamp: 1 x 40W E14 Candle
IP rating: 44

Layout

- Plan the desired layout of this fitting carefully, ensuring the cables will reach the distance between the junction box and the light fitting
- Avoid locating any cables in positions that would cause a hazard. Position cables and junction boxes (not supplied) away from areas where they may be at risk from being cut, trapped or damaged
- Cables in walls must be protected using suitable conduit or plastic trunking.
- The mains supply cable must have a minimum cross sectional area of 1.0mm²
- This product must only be fitted with the lampholder facing upwards.
- This product has special protection against the ingress of moisture and is IP44 rated.
- Please ensure that this light is mounted out of the reach of children.



This product is suitable for use in Zone 2 and outside Zones of a bathroom. See diagram. If this unit is being fitted in a room containing a bath or shower, a 30mA RCD must be used - in accordance with IEE regulations.

Installation

Existing fittings must be completely removed before installation of a new product. Before removing the existing fitting, **carefully note the position of each set of wires.**

- Undo the side screws using the supplied allen key and remove the wall bracket.
- Hold the wall bracket in place and mark the position of

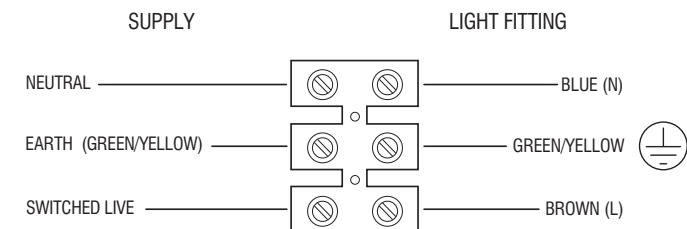
the holes. Ensure that the product is level.

- Ensure the wall is capable of holding the weight of the product. Take care to avoid damaging any concealed wiring and pipes. The correct fixings should be used for brick, cavity walls or plasterboard.
- Fix the wall bracket into position.

Wiring

Having correctly identified the wiring from your existing light fitting and connect to the connection block inside the

product in the following way:



Check that...

- You have correctly identified the wires
- The connections are tight
- No loose strands have been left out of the connection block.