


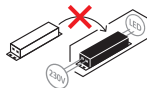
INSTRUCTION MANUAL

Safety Warnings

- This product is only suitable for connection to a 220-240V~50Hz supply in accordance with current IEE wiring regulations. It should be installed in accordance with local building regulations and is for domestic use only.
- Before installing your light fitting always switch off the mains supply and remove the appropriate fuse or switch off the appropriate circuit breaker before commencing installation.
- This is a Class 2 double insulated  product. It does not require an Earth, and Live or Neutral must not be connected to Earth.
- This product contains delicate parts – be careful during handling and maintenance to avoid breakage.
- Included the 8W LED module (SMD), 6500K. This product contains a light source of energy efficiency class E.

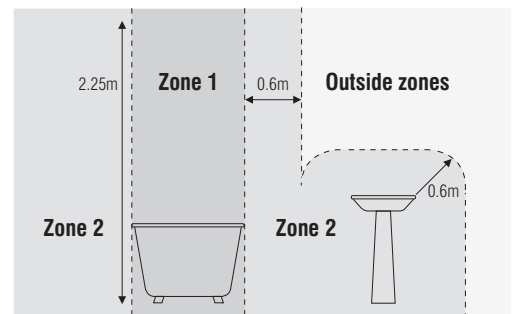


Non-replaceable light source



Non-replaceable control gear

- This product is not suitable for dimming.
- This product is rated at IP44. may be installed in Zones 1 and 2 and Outside Zones of a bathroom where water jets are not used for cleaning purposes. If installing in a bathroom, a 30mA RCD must be used in accordance with IEE Wiring Regulations and the Building Regulations. An electrician must be consulted if in any doubt about your own competency or meaning of bathroom “Zones”, “Equipotential Bonding” or “RCD”.
- If you are in any doubt about your competence please consult a qualified electrician.
- If any modification is made it will invalidate the warranty and may render the product unsafe.
- This product is not suitable for use with a dimmer switch.



Care Information

Allow 10 minutes to cool before replacing, adjusting or cleaning.
Clean with a dry cloth only. Do not use liquid or abrasive cleaners on this product.

Assembly / User Instructions

Before you start

Please read these instructions carefully before fitting and retain for reference. Check the packaging and make sure that you have all the required parts. Follow each assembly step in order to prevent incorrect assembly. Ensure that the product is fully assembled as illustrated before use.

The assembly diagrams overleaf are intended as a guide – if in doubt consult a qualified electrician. This instruction manual covers two products. While all the general steps to assemble your fitting will be the same, your individual product may vary from the diagram shown.

The Light pack contains:

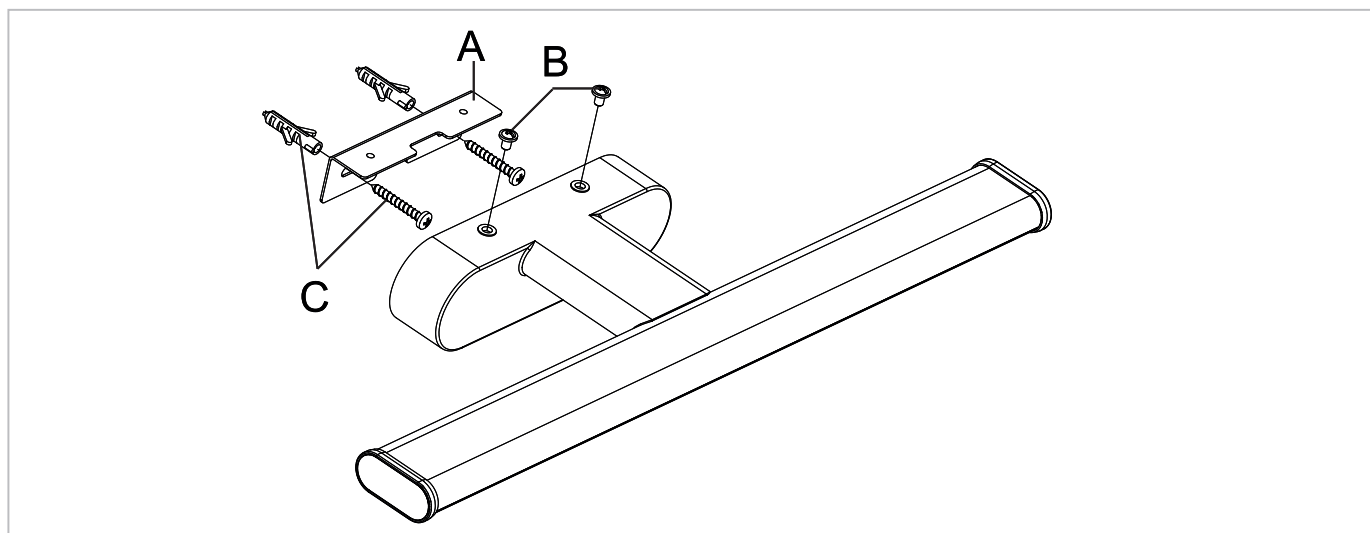
Light fitting.
Terminal connection block.
Fixing pack.

The following tools may be required:

Selection of cross and flat head screwdrivers.
Electric drill and assorted drill bits.
Wire strippers.
Electrical insulation tape.

Assembly/ User Instructions Continued

1. Decide on the position of the light fitting / or remove existing light fitting. Take a note of the position of the electrical connections. Ensure there is a solid mounting surface.
2. Detach the wall back (A) from, the product by removing the screws from the top of the product (B) and set them aside for refitting later.
3. Using the wall back as a template, mark and drill the fixing holes. Take care to avoid damaging concealed wiring or pipes. Fix wall back in position with supplied screws and plugs(C).
4. Support your fitting and connect the house wiring to the terminal block, as shown in **Wiring Diagram** below.
NOTE: This is a Class II fitting and must not be earthed. If you have any earth cables make sure that they are connected to each other – to maintain earth continuity throughout your property – and wrap them in insulation and keep them away from the terminal connections of the fitting. Open the terminal block box and take out the long tailed grommet, sliding it up the house supply cable. Cut and strip the cable and connect it to the terminal block as shown. Close the terminal box cover.
5. Place the light fitting over the wall back so the holes in the top of the light fitting are flush with the holes in the top of the wall back. Attach the light fitting to the wall with the screws (B) set aside earlier..
6. Turn on the power and test.



Wiring Diagram

