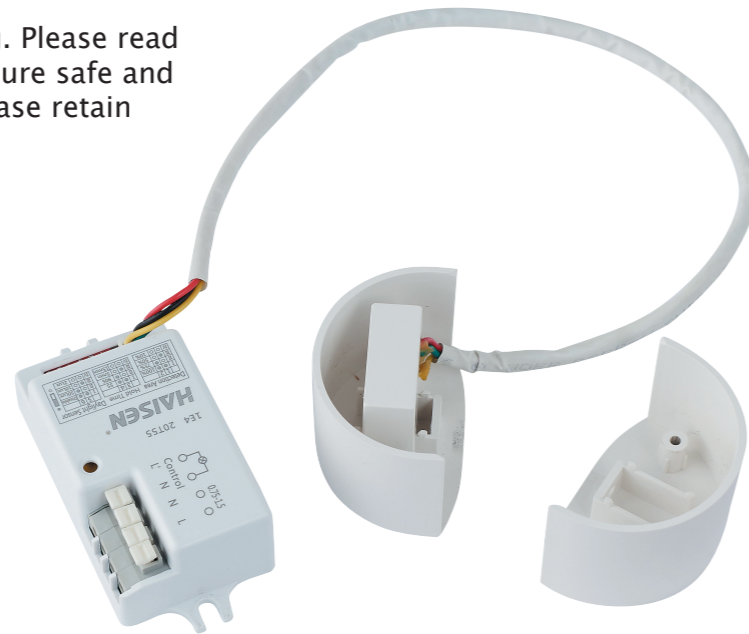


RULAR SENSOR

94056

Thank you for purchasing this light fitting. Please read the instruction carefully before use to ensure safe and satisfactory operation of this product. Please retain these instruction for future reference.

1. Optional detection range, holdtime.
2. Detached Design.
3. Compact sized



On/off control



Detection area



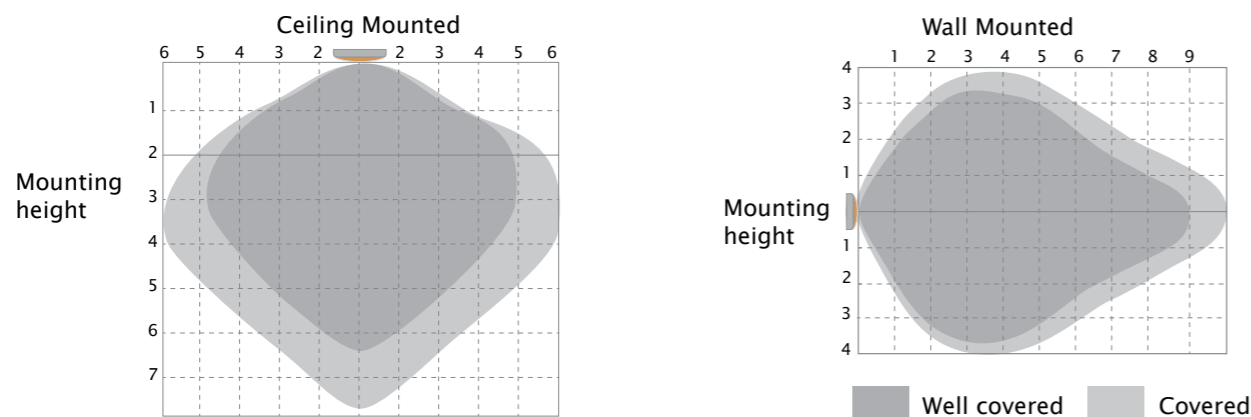
Hold time



Detection coverage

Typical installation height 2.5–6m

This figure indicates the maximum distance at the highest mounting height with 100% sensitivity.

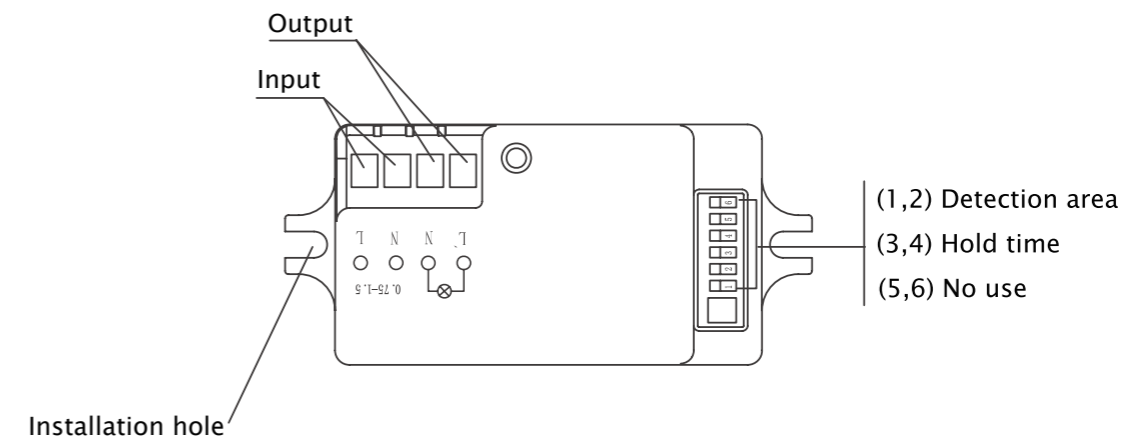


Technical data

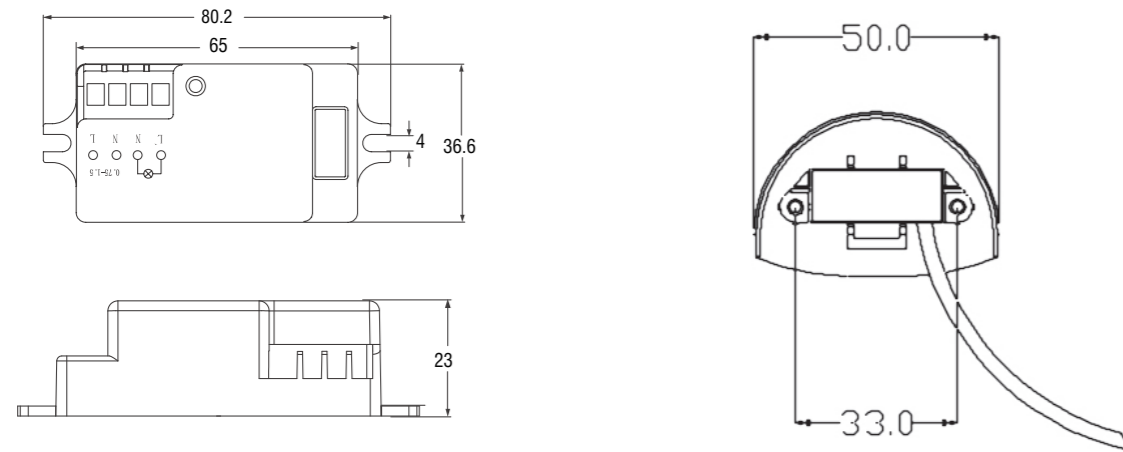
Operating voltage	220–240VAC,50Hz/60Hz
Switching capacity	Max.400W(Control gear) Max.800W(Incandescent lamp)
Stand-by power	≤0.5W(220Vac)
Detection area	10%/50%/75%/100%
Hold time	5s/90s/5min/15min
Microwave frequency	5.8GHz±75MHz
Microwave power	<0.3mW
Mounting height	2.5–6m/6.56–19.68ft (ceiling mounted)
Detection range	Max,ø14m/45.92ft (ceiling mounted)
Operating temperature	-20°C~+55°C
Motion detection	0.5~1.5m/s
IP rating	IP20

Factory Default Setting: Detection area 100%/ Hold time 5s.

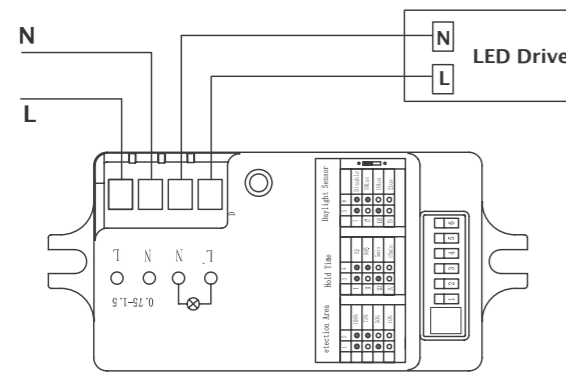
Mechanical structure



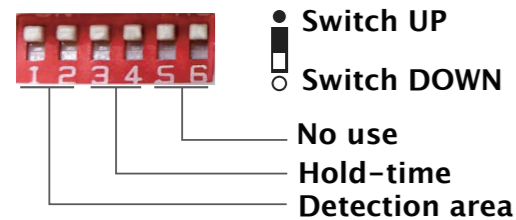
Dimensions (Unit: mm)



Wiring diagram



Settings



1	2	
●	●	100%
○	●	75%
●	○	50%
○	○	10%

Detection area

In this area, movement will be detected and able to trigger the sensor. 100% detection area is also known as the strong sensitivity.

3	4	
●	●	5s
○	●	90s
●	○	5min
○	○	15min

Hold-time

The period of light keeping 100% brightness after moving objects leave the detection area.

Application

Light on when detect movement, After people leave, Light off after hold on time.
Applications: Dim places such as Basement Parking, Underpass.

Attention



1. Please read the instructions carefully before using this product and keep it well for all users to read at any time.
2. The sensor should be installed by qualified electrician and ensure power is off before the installation.
3. We reserve the right to modify any incorrect text, image and necessary technical parameters.
4. Any unauthorized modification is forbidden, otherwise all guarantees will be immediately invalid.

Installation precautions

1. Microwave sensor can be installed in any lamp except the one with full metal shell.
2. The detected surface cannot be shielded by metal objects.
3. Make sure the microwave module is completely exposed outside.
4. The detection surface of the sensor module shall be installed facing the detection area.
5. Should be kept away from the driver to avoid interference generation and lamp flashing.
6. Wiring must be strictly in accordance with the wiring diagram to avoid short circuit.

Application Environment

1. Suitable for indoor installation to avoid false triggering due to external factors such as rain, wind or tree swing.
2. Shall not be installed in the place with all four metal shelters and small space (such as galvanized-iron roof).
3. Shall note be mounted installation, so as to avoid false trigger caused by the lamp itself shaking.
4. Shall not be installed next to large operating machines such as ventilator/ceiling fan to avoid false triggering caused by machine vibration.

User Notes

1. Microwave can penetrate walls or glass thinner than 20cm and attenuate if thicker than 20cm.
2. The driver voltage shall be stable and float within 10%.
3. Detection area will be affected by speed of motion, mounting height and movement volume.

Additional instruction manual

To prevent electrocution **switch off** at the mains supply before installing or maintaining this fitting. Ensure other persons **cannot** restore the electrical supply without your knowledge.

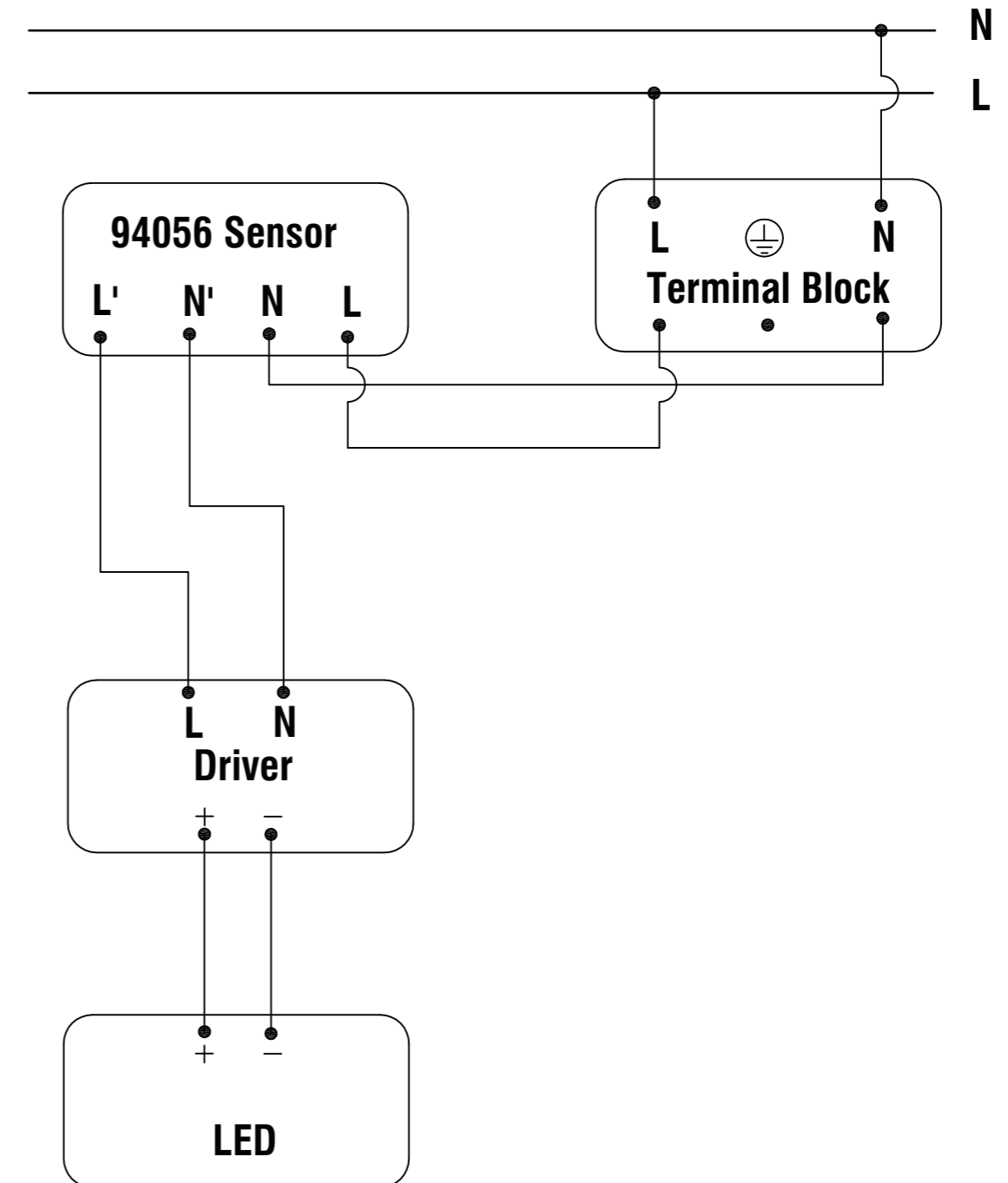
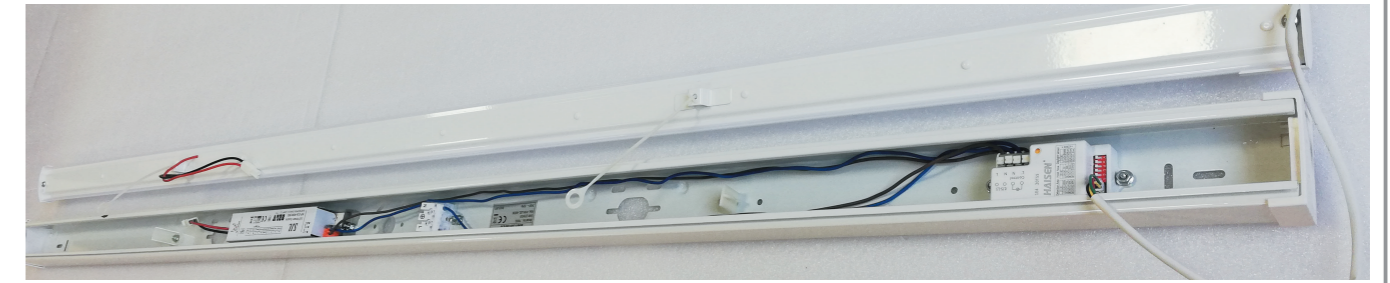
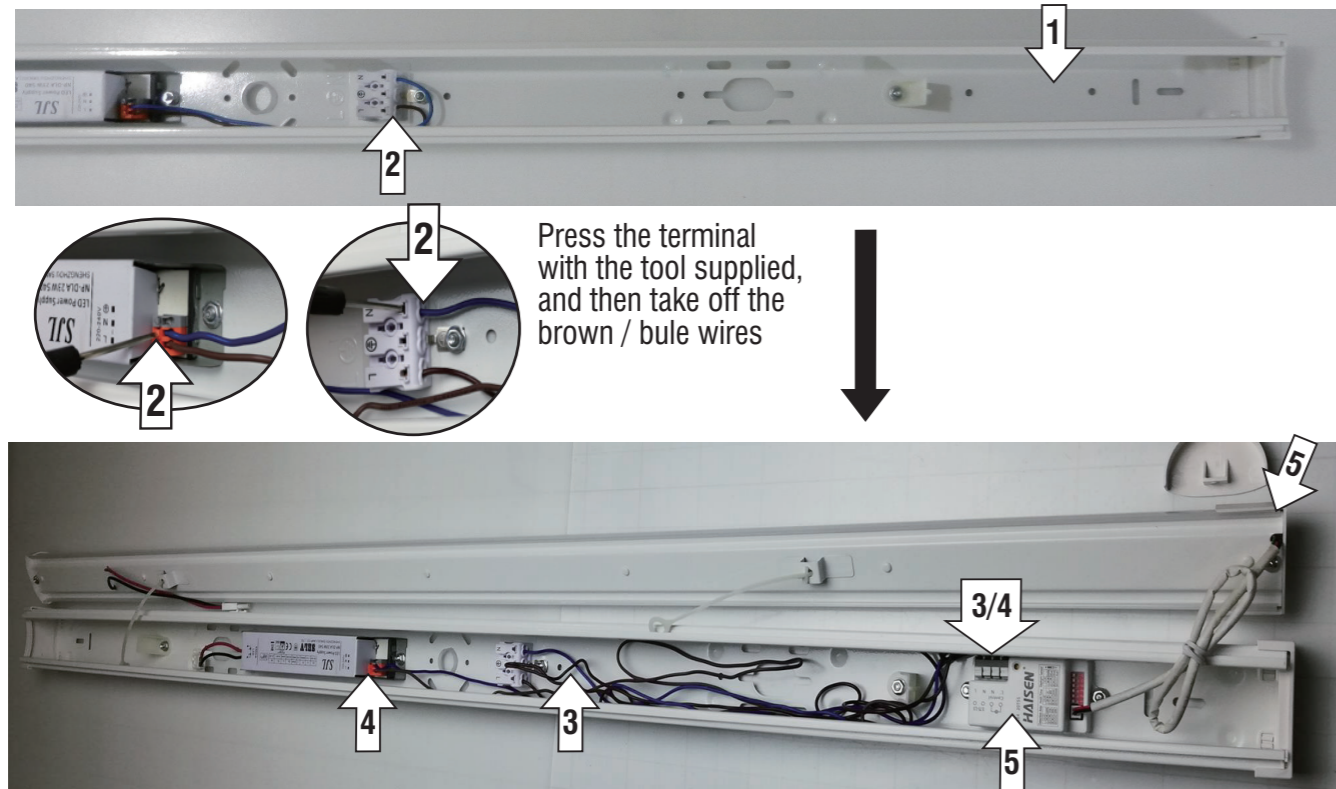
Rular 78554, 78555, 78556, 78557, 78558 with Sensor

Accessories:



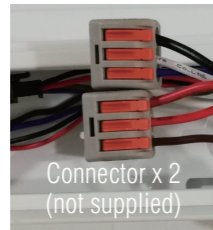
94056 Rular Sensor

01. Locate the 94056 sensor position.
02. Take off the brown / blue wires between the LED driver and the terminal.
03. Take appropriate length of the brown and blue wires connect sensor's **L / N** to terminal's **L / N**.
04. Take appropriate length of brown and blue wires, connect sensor's **L' / N'** to **L / N** of LED driver input end.
05. Install the 94056 sensor controller and replace the end cap (sensor detector in the end cap).



Rular 78559 with Sensor

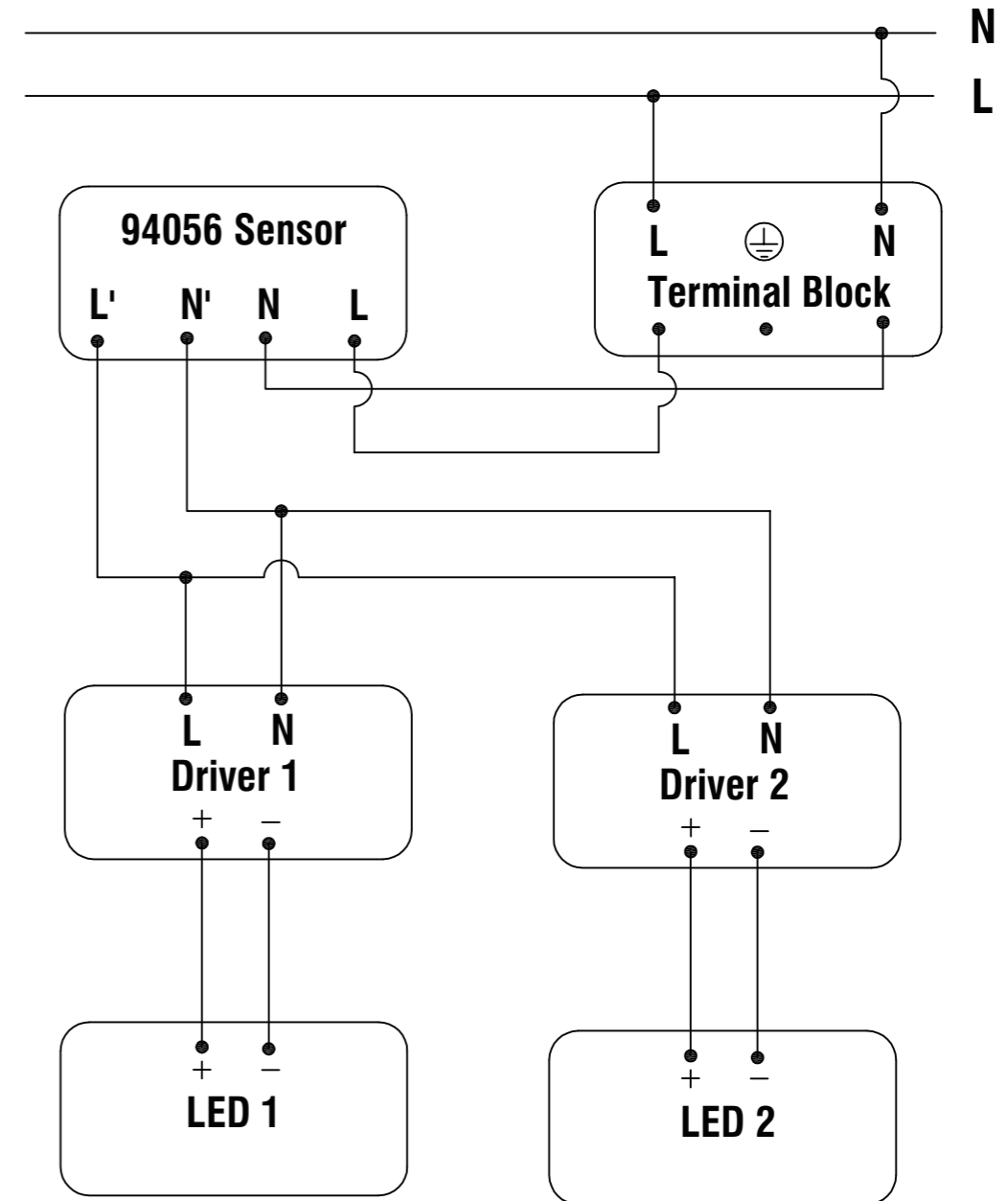
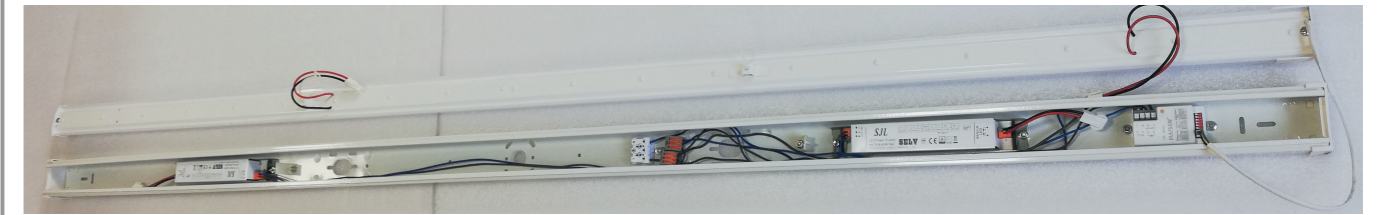
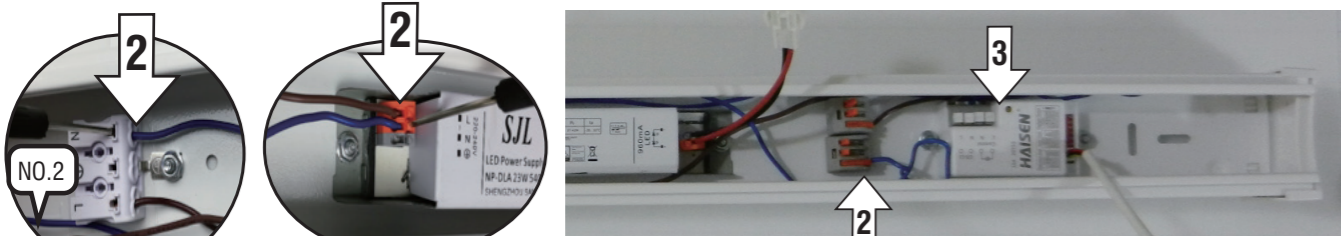
Accessories:



01. Locate the 94056 sensor position.
02. 1) Remove all wires from terminal **L / N**;
2) Locate the blue / brown wires connected with No.1 LED driver, then connect the wires to two connectors separately (don't remove the wires from No.1 LED driver);
3) Locate the blue / brown wires connected with No.2 LED driver, and remove the wires from driver.
03. Take appropriate length of brown and blue wires, connect sensor to terminal's **L / N** separately.
04. Take appropriate length of the brown and blue wires, connect sensor's **L' / N'** to two connectors separately.
05. Take appropriate length of the brown and blue wires, connect NO.2 LED driver's **L / N** to two connectors separately.
06. Install the 94056 sensor controller and replace the end cap (sensor detector in the end cap).



Press the terminal with the tool supplied, and then take off the brown / blue wires



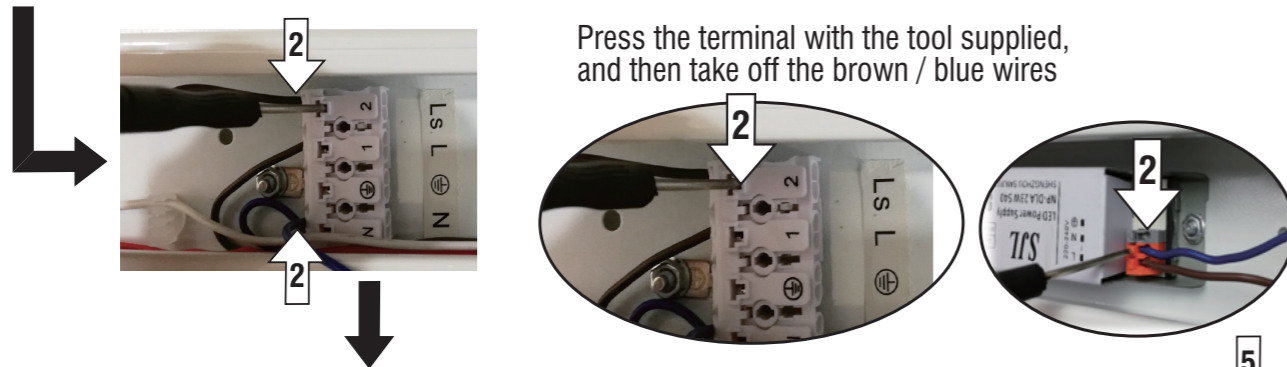
Rular EM 78560, 78561, 78562, 78563, 78564 with Sensor

Accessories:

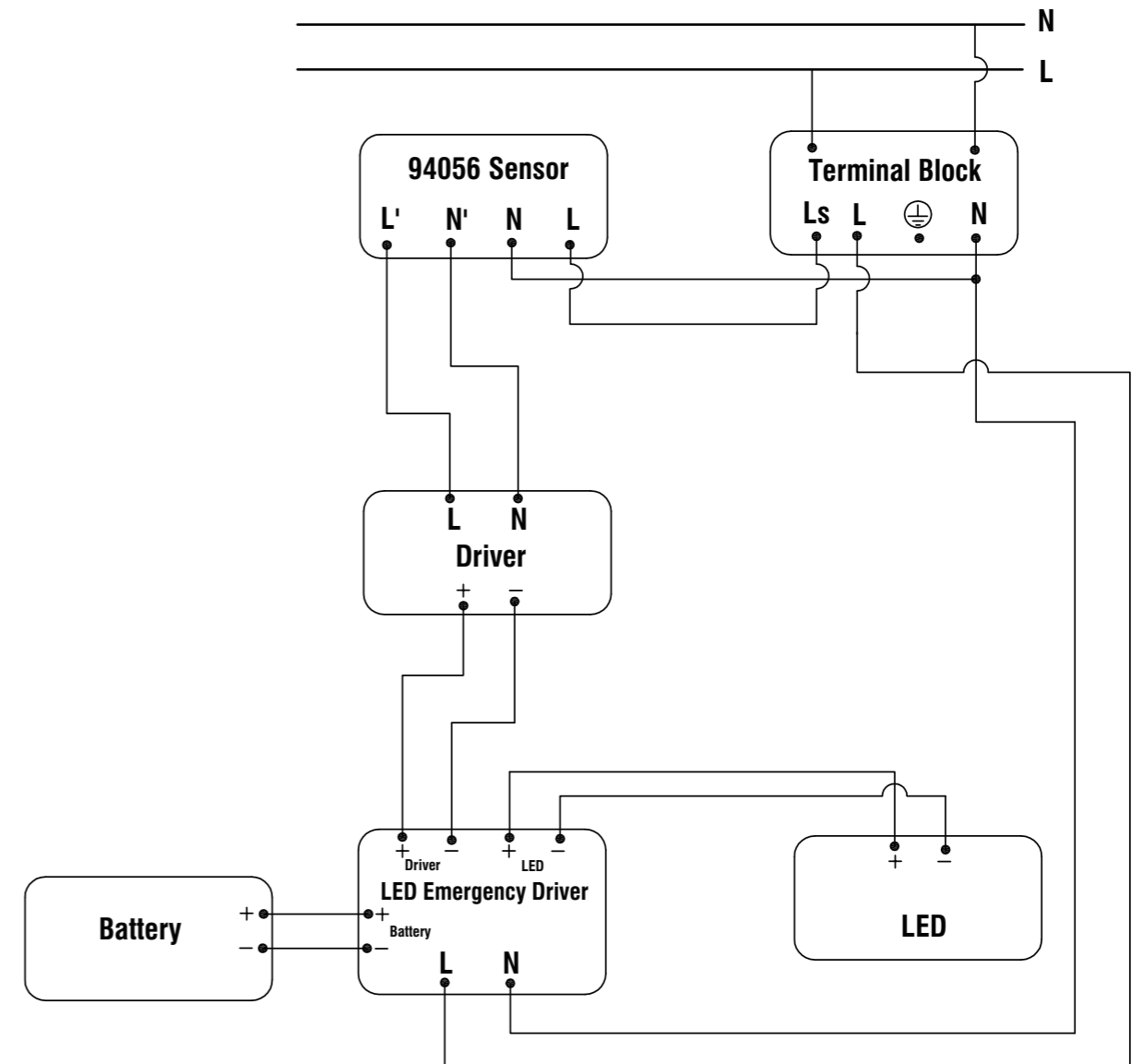


94056 Rular Sensor

01. Locate the 94056 sensor position.
02. Take off the brown and blue wires between the LED driver and the terminal's **2(Ls) / N**.
03. Take appropriate length of brown and blue wires, connect sensor's **L / N** to terminal's **2(Ls) / N**.
04. Take appropriate length of the brown and blue wires, connect sensor's **L' / N'** to LED driver input end's **L / N**.
05. Install the 94056 sensor controller and replace the end cap (sensor detector in the end cap).

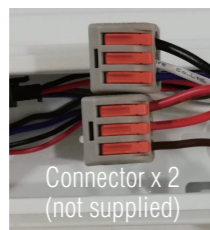


Press the terminal with the tool supplied, and then take off the brown / blue wires

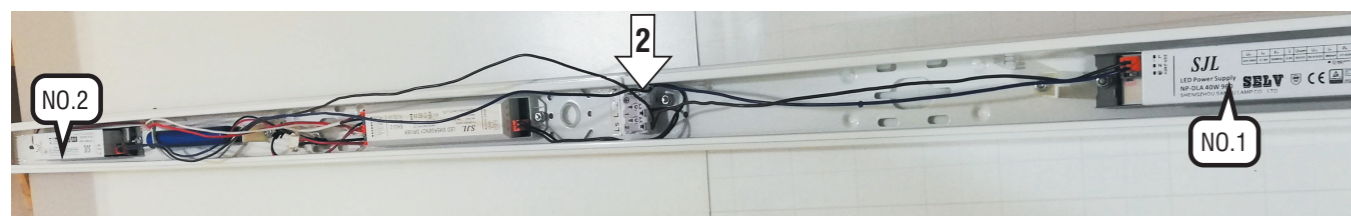


Rular EM 78565 with Sensor

Accessories:



01. Locate the 94056 sensor position.
02. 1) Locate the brown / blue wires between No. 1 driver and terminal's **2(Ls) / N**, remove them from terminal, and then connect the wires to two connectors separately;
2) Locate the brown / blue wires between No. 2 driver and terminal's **2(Ls) / N**, remove them from terminal, and then connect the wires to two connectors separately.
03. Take appropriate length of the brown and blue wires, connect sensor's **L / N** to terminal's **2(Ls) / N** separately.
04. Take appropriate length of the brown and blue wires, connect sensor's **L' / N'** to two connectors separately.
05. Install the 94056 sensor controller and replace the end cap (sensor detector in the end cap).



Press the terminal with the tool supplied, and then take off the wires

