

# 92520 Kingsley

## FEATURES

- 5 years (2 years + 3 years) extended warranty
- Silver anodised & frosted PC finish
- Constructed from aluminium alloy & polycarbonate
- Max. connect power 400W
- IP20
- Flicker free
- Features up and down lighting, up 400 lumen and down 1600 lumen

## SPEC DATA

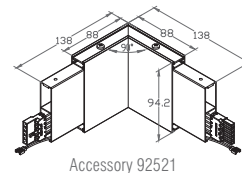
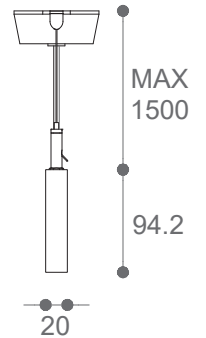
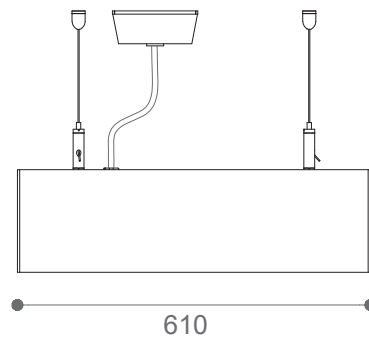
Product Wattage:	25W
Product Lumen:	2000
Product Lumen/W:	80
Kelvin:	4000K
Energy Rating:	A++
Dimmable:	No
Beam Angle:	106°
Power Factor:	0.9
UGR:	20
CRI:	80
Lifetime (Hours):	50000
SDCM:	6
Driver Type:	Constant Current 600mA
Product Voltage:	100-240V
Hertz:	50/60
Surge Protection (KV):	1.5
Operating Temp.:	-20 to 40 Degree
Product Weight (KG):	1
Cable Length (m):	1.5
Cable Spec.:	White 3 CORE 0.75 PVC
Terminal Block:	3-Way
Class:	1
Suspension Cable Length (m):	Adjustable drop to max.1.5

## ACCESSORIES

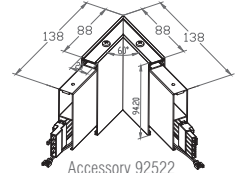
- 92521, Kingsley 90° corner
- 92522, Kingsley 60° corner
- 92523, Kingsley 135° corner



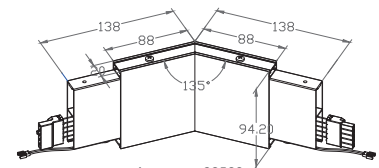
unit: mm



Accessory 92521



Accessory 92522



Accessory 92523