

## Technical data

Supply Voltage: 220-240 V~, 50 Hz

Bulb Type: 75922 - 5W LED module (SMD) CCT, 3000/4000/5000K  
75923 - 8W LED module (SMD) CCT, 3000/4000/5000K  
75924 - 13W LED module (SMD) CCT, 3000/4000/5000K

These products contain a light source of energy efficiency class **D**.

 Non-replaceable light source |  Non-replaceable control gear



Conformity with all relevant UKCA Directive requirements.



Conformity with all relevant EC Directive requirements.



The power supply is Double Insulated and does not require connection to an Earth circuit.



Waste electrical products should not be disposed of with household waste. Please recycle where facilities exist. Check with your Local Authority or local store for recycling advice.



This product is not suitable for dimming.



Caution! Risk of electric shock!

## Care and Safety

Live Voltages may be present in this unit even when turned off or when completely disconnected.

We recommend cleaning with a soft dry cloth. Do not use solvents or abrasive cleaners as these could damage the finish.

For your safety, always switch off the power supply before cleaning.

Instruction manual

# Sleek CCT LED Undercabinet

75922, 75923, 75924



For further information, please visit <https://www.lighting-info.co.uk/75922>

V4 02/03/2022

UK Manufacturer: BH17 7BY

EU Manufacturer: Brilliant AG,  
Brilliantstrasse 1, D-27442 Gnarrenburg

saxby  
lighting

[www.saxbylighting.com](http://www.saxbylighting.com)

saxby  
lighting

Thank you for purchasing this light fitting. Please read the instructions carefully before use to ensure safe and satisfactory operation of this product. Please retain these instructions for future reference.

## Warning

 This power supply is Double Insulated and does not require connection to an Earth circuit.

Please read these instructions carefully before commencing any work.

This unit must be fitted by a competent and qualified electrician.

Check the pack and make sure you have all the parts listed.

Install in accordance with the IEE Wiring regulations and current Building Regulations.

To prevent electrocution switch off at mains supply before installing or maintaining this fitting. Ensure other persons cannot restore the electrical supply without your knowledge. If you are in any doubt, please consult a qualified electrician.

This light fitting should be connected to a circuit with a 30mA RCD fitted.

When wiring to a fused outlet all connections and conductors must be doubled insulated.

If replacing an existing fitting, make a careful note of the connections.

Waste electrical products should not be disposed of with household waste. Please recycle where facilities exist. Check with your local authority or retailer for recycling advice.

## Layout

This product is designed for use under kitchen cupboards, bookshelves, cabinets etc. Suitable for indoor use only. Not for bathroom.

The chosen location should allow for the product to be securely mounted and safely connected to the mains supply (240V wall socket or fused outlet socket).

Plan the desired layout of these fittings carefully, ensuring the cables will reach the distance between the light fitting.

Avoid locating any cables in positions that would cause a hazard. Position cables away from areas where they may be at risk from being cut, trapped or damaged.

The mains supply cable must have a minimum cross sectional area of 1.0mm<sup>2</sup>

Cables must be protected using suitable conduit or plastic trunking

A plug and cable (ref 75921) are available for purchase separately.

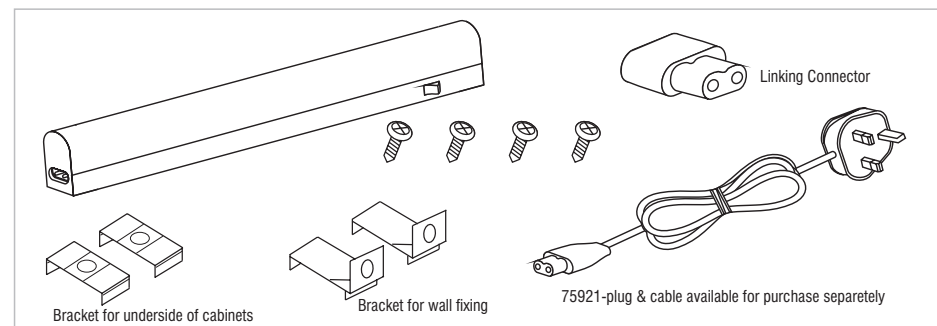
## Installation

Existing fittings must be completely removed before installation of a new product. Before removing the existing fitting, **carefully note the position of each set of wires.**

Note that the switch is turned off before installation.

The mounting surface must be flat and smooth to ensure a good fit.

- After deciding on the layout of your choice, determine the positions of the fixing brackets.
- Using the desired brackets, fit the brackets into position using the supplied fixings.
- Wire as detailed wiring diagram below.
- This product can be linked together by using the supplied connector.



## Wiring

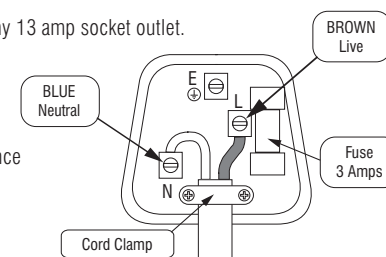
This unit is double insulated and must not be earthed.

- A plug and cable (ref 75921) are available for purchase separately. Once purchased, simply plug-in to an outlet socket. Should the fuse require replacement, it must be replaced with a fuse rated at 3 amp and approved to BS 1362.
- If the mains plug is unsuitable for the socket outlet or is removed for any other reason, then the cut off plug should be disposed of safely to prevent the hazard of electric shock.
- There is a danger of electric shock if the cut off plug is inserted into any 13 amp socket outlet.
- To directly wire the power lead to a fused outlet socket, remove the plug and connect the Brown wire to the terminal marked L. The Blue wire must be connected to the terminal marked N.

- The wires in the mains lead on this appliance are coloured in accordance with the following code:

**Blue - Neutral Brown - Live**

- Use a 3 Amp Fuse approved to BS1362.



## Commissioning

- Clip the product(s) into the brackets.
- Plug in the mains cable to the end of the product.
- Ensure that the cables are routed to avoid accidents or damage occurring. We recommend that cables are secured to a mounting surface after installation..
- If a connector end is not being used remember to replace the covering cap. This is important to prevent accidental electric shock.
- This product is colour changing and can be either warm white (3000K), cool white (4000K) and daylight white (5000K).
- Turning the switch ON/OFF quickly (within 3 seconds) to choose your preferred colour, the step is: ON(3000K)--OFF--ON(4000K)--OFF--ON(5000K).
- **Kelvin memory:**  
First choose the color temperature you want, and keep to light up the lamp  $\geq 10s$ , and turn off the lamp and keep switched off  $\geq 30s$ , the integrated memory function will remember the last colour selected. When you turn on the lamp next time, the color temperature will keep the same as the last time you choose.
- **Re-set function:**  
If you connect several lamps together, and the color temperature of them are different, then you can use re-set function. Quickly turn ON /OFF general power switch for 5 circles(1 circle means on and off) ,all lamps will return to 3000K together.