

Sight Plus Recessed Accessory

94347



Thank you for purchasing this accessory. Please read the instruction carefully before use to ensure safe and satisfactory operation of this product. Please retain these instruction for future reference.

Warning

Please read these instructions carefully before commencing any work

This unit must be fitted by a competent and qualified electrician.

Waste electrical products should not be disposed of with household waste. Please recycle where facilities exist. Check with your local authority or retailer for recycling advice.

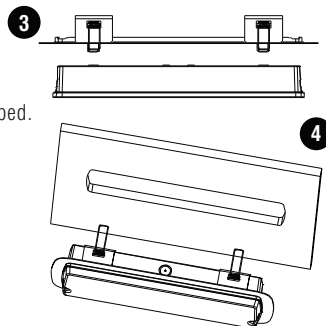
Installation

This accessory is suitable for use with the Sight Plus LED Light 91146 and allows the products to have a lower profile when installed.

For electrical safety information, please refer to the original Sight Plus LED Light 91146 instruction manual.

Note that the switch is turned off before installation.

- Cut a hole in the ceiling using an appropriate tool. The cut out dimensions are 352 x 120mm and the minimum ceiling void depth is 150mm. The ceiling surface must be flat and smooth to ensure a good fit.
- Undo the two screws at the end of the Sight Plus LED Light then pushing the two quick release tabs on the one side of the front cover to separate the rear casing from product. Keep screws in safe place for refitting later.
- Drill out the two holes on the rear casing which align with the holes on the recessed accessory. The holes on the back of the Sight Plus LED Light are located in the centre of the two triangle marks.
- Using the 2 x screws and 2 x nuts supplied, fix the Sight Plus LED Light to the accessory and tighten to secure.
- Wire as detailed in previous Sight Plus LED Light product instruction manual and refit front panel set aside earlier.
- Push the spring clips upwards and fit into the ceiling hole.
- Push the unit up until firmly in position, ensuring that no cables are trapped.
- Ensure that the product is sitting properly in the hole.
- Product is ready for use.



Technical data



Conformity with all relevant UKCA Directive requirements.



Conformity with all relevant EC Directive requirements.



Waste electrical products should not be disposed of with household waste. Please recycle where facilities exist. Check with your Local Authority or local store for recycling advice.

Care and Safety

We recommend cleaning with a soft dry cloth. Do not use solvents or abrasive cleaners as these could damage the finish.

For your safety, always switch off the power supply before cleaning.

V2 17/06/2022

UK Manufacturer: BH17 7BY

EU Manufacturer: Brilliant AG,

Brillantstrasse 1, D-27442 Gnarrenburg

saxby
lighting