

Photocell Sensor (only for 67177)

- This product is fitted with a photocell.
- The light will automatically switch on when the ambient light level drops below 30 lux and will automatically switch off when it reaches 70 lux.
- The photocell is located on the right hand side of the casing. To avoid nuisance triggering, the photocell should be aimed a minimum of 12m away from heat sources, such as BBQ's, Air-Conditioners, other outside lighting, moving cars and flue vents or reflective surfaces such as smooth white walls or swimming pools.

Technical data

Supply Voltage: 220-240 V~, 50 Hz

Bulb Type: 30W LED module (SMD), 4000K

This product contains a light source of energy efficiency class **E**.



Conformity with all relevant UKCA Directive requirements.



Conformity with all relevant EC Directive requirements.



This product is Class 1, must be connected to earth.



Waste electrical products should not be disposed of with household waste. Please recycle where facilities exist. Check with your Local Authority or local store for recycling advice.



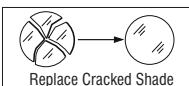
This product is not suitable for dimming.



This product is rated at IP65.

Care and Safety

We recommend cleaning with a soft dry cloth. Do not use solvents or abrasive cleaners as these could damage the finish. For your safety, always switch off the power supply before cleaning.



This light source is protected by a shade. This part must be replaced immediately should the shade become cracked or damaged. This fitting must not be used without the shade in place.

For further information, please visit <https://www.lighting-info.co.uk/67176>

V4 07/06/2022

UK Manufacturer: BH17 7BY

EU Manufacturer: Brilliant AG,
Brilliantstrasse 1, D-27442 Gnarrenburg

saxby
lighting

Instruction manual

Lucca Wall

67176, 67177



www.saxbylighting.com

saxby
lighting

Thank you for purchasing this light fitting. Please read the instructions carefully before use to ensure safe and satisfactory operation of this product. Please retain these instructions for future reference.

Warning

This light fitting is Class 1 and must be connected to an Earth circuit.

Please read these instructions carefully before commencing any work.

This unit must be fitted by a competent and qualified electrician.

Check the pack and make sure you have all the parts listed.

Install in accordance with the IEE Wiring regulations and current Building Regulations.

To prevent electrocution switch off at mains supply before installing or maintaining this fitting. Ensure other persons cannot restore the electrical supply without your knowledge. If you are in any doubt, please consult a qualified electrician.

This light fitting should be connected to a circuit with a 30mA RCD fitted.

If replacing an existing fitting, make a careful note of the connections.

This product contains non-replaceable parts and cannot be serviced. If damage occurs the part should be scrapped.

These products are not suitable for location in or near a marine or sea environment.

The entire units get hot whilst on for a period of time.

Waste electrical products should not be disposed of with household waste. Please recycle where facilities exist. Check with your local authority or retailer for recycling advice.

Layout

Plan the desired layout of these fittings carefully, ensuring the cables will reach the distance between the junction box and the light fitting.

Avoid locating any cables in positions that would cause a hazard. Position cables and outdoor rated junction boxes (not supplied) away from areas where they may be at risk from being cut, trapped or damaged.

We recommend that you use H05RN-F specification cable (not supplied) which is an outdoor grade, rubber sheathed cable.

The mains supply cable must have a minimum cross sectional area of 1.0mm².

Cables must be protected using suitable conduit or plastic trunking.

These products have special protection against the ingress of moisture and are IP65 rated.

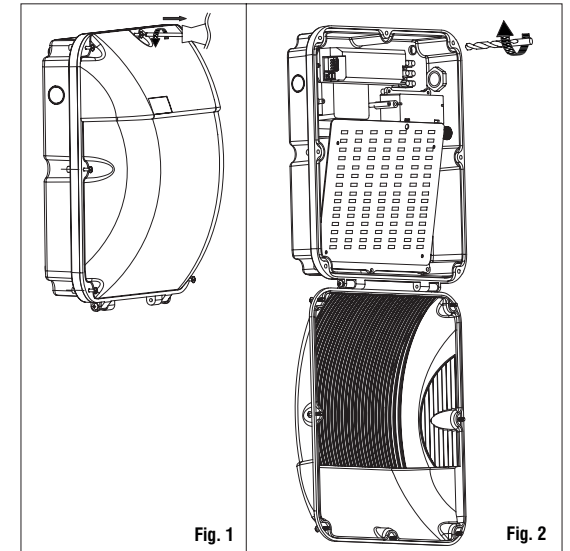
Installation

Existing fittings must be completely removed before installation of a new product. Before removing the existing fitting, carefully note the position of each set of wires.

Note that the switch is turned off before installation.

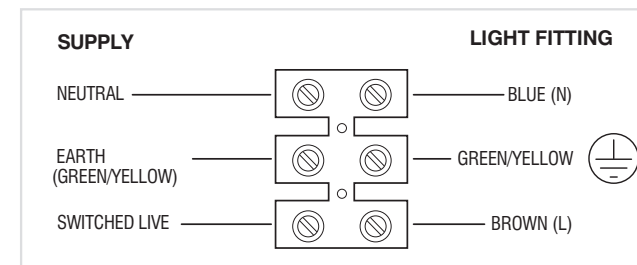
Ensure that the screws and cable entry points are sealed to maintain the IP rating of the product.

- The shade on these products is hinged. To open it, unscrew the 7 screws around the edge of the shade and keep them safe for refitting later (**Fig.1**).
- The fixing holes are located in the corners of the wall back and they need to be punched or drilled through. The recommended hole size is 4.5mm (**Fig.2**).
- Using the wall back as a template, mark and drill the fixing holes and fit supplied wall plugs (suitable for masonry only - for other surfaces use appropriate fixings). Use a sharp object such as a screwdriver to pierce the rubber grommet in the wall back and feed the incoming mains supply cable through the grommet entry hole. Fix the wall back to the wall using the supplied fixings.
- Wire as detailed wiring.



Wiring

Having correctly identified the wiring from your existing light fitting, connect to the quick fit connection block in the following way:



Check that...

- You have correctly identified the wires.
- The connections are tight.
- No loose strands have been left out of the connection block.

Commissioning

- Close the shade and secure with the screws set aside earlier. Do not overtighten.
- Replace fuse or circuit breaker and switch on. Your light is now ready for use.