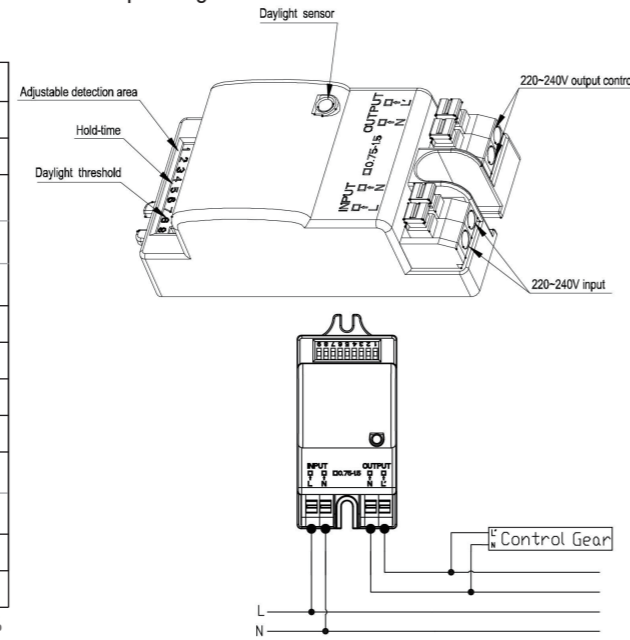


Microwave Movement Sensor

This product is fitted with a microwave movement sensor. Please see below detailed operating instructions.

Technical Specifications:

Operating voltage	220 ~ 240V AC 50/60Hz	
Rated load	400W (Capacitive load) 800W (Resistive load)	
Stand-by power	≤ 0.5W	
Sensitivity	Ceiling mounted height: 3m	100% / 75% / 50% / 25% / 10%
	Ceiling mounted height: 6m*	100% / 75% / 50%
	Wall mounted height: 2m	100% / 75% / 50% / 25% / 10%
Hold-time	5s / 30s / 90s / 3min / 20min / 30min	
Daylight sensor	2Lux / 10Lux / 25Lux / 50Lux / Disable	
Microwave frequency	5.8 GHz ± 75MHz	
Transmitting power	1mW Max.	
Detection range	Ceiling mounted height: 3m	3- 6m (radius)
	Wall mounted height: 1.5-2m	12-15m
Detection angle	360° (Ceiling) / 120° (Wall)	
Working temperature	-20°C ~ 60°C	



*50%, 75%, 100% detection sensitivity is workable when installed at 6m mounting height. Only 10%, 25% sensitivity is not able to detect motion signal.

Settings:

<p>1. Sensitivity</p> <p>Sensitivity can be adjusted by selecting the combination on the DIP switches for different applications.</p> <table border="1"> <tr> <td>I - 100%</td> <td>1</td> <td>2</td> <td>3</td> <td></td> </tr> <tr> <td>II - 75%</td> <td>I</td> <td>●</td> <td>●</td> <td>100%</td> </tr> <tr> <td>III - 50%</td> <td>II</td> <td>○</td> <td>●</td> <td>75%</td> </tr> <tr> <td>IV - 25%</td> <td>III</td> <td>●</td> <td>○</td> <td>50%</td> </tr> <tr> <td>V - 10%</td> <td>IV</td> <td>○</td> <td>○</td> <td>25%</td> </tr> <tr> <td></td> <td>V</td> <td>○</td> <td>○</td> <td>10%</td> </tr> </table>	I - 100%	1	2	3		II - 75%	I	●	●	100%	III - 50%	II	○	●	75%	IV - 25%	III	●	○	50%	V - 10%	IV	○	○	25%		V	○	○	10%	<p>2. Hold-time</p> <p>Hold-time refers to the time period that the light remains 100% on if no more movement is detected.</p> <table border="1"> <tr> <td>I - 5s</td> <td>4</td> <td>5</td> <td>6</td> <td></td> </tr> <tr> <td>II - 30s</td> <td>I</td> <td>●</td> <td>●</td> <td>5s</td> </tr> <tr> <td>III - 90s</td> <td>II</td> <td>○</td> <td>●</td> <td>30s</td> </tr> <tr> <td>IV - 3min</td> <td>III</td> <td>●</td> <td>○</td> <td>90s</td> </tr> <tr> <td>V - 20min</td> <td>IV</td> <td>○</td> <td>○</td> <td>3min</td> </tr> <tr> <td>VI - 30min</td> <td>V</td> <td>●</td> <td>●</td> <td>20min</td> </tr> <tr> <td></td> <td>VI</td> <td>○</td> <td>○</td> <td>30min</td> </tr> </table>	I - 5s	4	5	6		II - 30s	I	●	●	5s	III - 90s	II	○	●	30s	IV - 3min	III	●	○	90s	V - 20min	IV	○	○	3min	VI - 30min	V	●	●	20min		VI	○	○	30min	<p>3. Daylight sensor</p> <p>Different daylight threshold can be preset on DIP switches. Light will always turn on upon movement if daylight sensor is disabled.</p> <table border="1"> <tr> <td>I - 2Lux</td> <td>7</td> <td>8</td> <td>9</td> <td></td> </tr> <tr> <td>II - 10Lux</td> <td>I</td> <td>●</td> <td>●</td> <td>2Lux</td> </tr> <tr> <td>III - 25Lux</td> <td>II</td> <td>●</td> <td>○</td> <td>10Lux</td> </tr> <tr> <td>IV - 50Lux</td> <td>III</td> <td>○</td> <td>●</td> <td>25Lux</td> </tr> <tr> <td>V - Disable</td> <td>IV</td> <td>○</td> <td>○</td> <td>50Lux</td> </tr> <tr> <td></td> <td>V</td> <td>○</td> <td>○</td> <td>Disable*</td> </tr> </table> <p>*Disable means the daylight sensor does not work. The sensor will turn on light once motion is detected regardless of ambient light level.</p>	I - 2Lux	7	8	9		II - 10Lux	I	●	●	2Lux	III - 25Lux	II	●	○	10Lux	IV - 50Lux	III	○	●	25Lux	V - Disable	IV	○	○	50Lux		V	○	○	Disable*
I - 100%	1	2	3																																																																																														
II - 75%	I	●	●	100%																																																																																													
III - 50%	II	○	●	75%																																																																																													
IV - 25%	III	●	○	50%																																																																																													
V - 10%	IV	○	○	25%																																																																																													
	V	○	○	10%																																																																																													
I - 5s	4	5	6																																																																																														
II - 30s	I	●	●	5s																																																																																													
III - 90s	II	○	●	30s																																																																																													
IV - 3min	III	●	○	90s																																																																																													
V - 20min	IV	○	○	3min																																																																																													
VI - 30min	V	●	●	20min																																																																																													
	VI	○	○	30min																																																																																													
I - 2Lux	7	8	9																																																																																														
II - 10Lux	I	●	●	2Lux																																																																																													
III - 25Lux	II	●	○	10Lux																																																																																													
IV - 50Lux	III	○	●	25Lux																																																																																													
V - Disable	IV	○	○	50Lux																																																																																													
	V	○	○	Disable*																																																																																													

Trouble shooting:

Malfunction	Cause	Remedy
The light will not come on	Incorrect light-control setting selected	Adjust daylight threshold setting
	Faulty lamp	Replace lamp
	No power supply	Check power to sensor
The lamp is always on	Continuous movement in the detection zone	Check detection area setting
The lamp is on without any identifiable movement	The sensor is not mounted for reliably detecting movement	Securely mount enclosure
	Movement occurred, but not identified by the sensor (Movement behind wall, movement of small object in immediate lamp vicinity etc.)	1. Reduce sensitivity. 2. Check the movement behind walls to avoid facilities such as water pipe, fan, which may mis-trigger the sensor.
The lamp will not work despite movement	Rapid movements are being suppressed to minimize malfunctioning or the detection radius is too small.	Check detection area setting

For further information, please visit <https://www.lighting-info.co.uk/78607>

V5 24/10/2022
UK Manufacturer: BH17 7BY
EU Manufacturer: Brilliant AG,
 Brilliantstrasse 1, D-27442 Gnarrenburg

saxby
lighting

Instruction manual

Seran Microwave Bulkhead

78607, 78608



78607



78608

www.saxbylighting.com

saxby
lighting

Thank you for purchasing this light fitting. Please read the instruction carefully before use to ensure safe and satisfactory operation of this product. Please retain these instruction for future reference.

Warning

 This light fitting is double insulated and does not require connection to an Earth circuit.

Please read these instructions carefully before commencing any work.

This unit must be fitted by a competent and qualified electrician.

Install in accordance with the IEE Wiring regulations and current Building Regulations.

Check the pack and make sure you have all the parts listed.

To prevent electrocution switch off at the mains supply before installing or maintaining this fitting. Ensure other persons cannot restore the electrical supply without your knowledge. If you are in any doubt, please consult a qualified electrician.

This light fitting should be connected to a fused circuit.

If replacing an existing fitting, make a careful note of the connections.

This system contains non-replaceable parts and cannot be serviced. If damage occurs the part should be scrapped.

Take care not to drill into any pipes or mains cables beneath the surface during mounting holes preparation.

This product is suitable for installation on surfaces with normal flammability e.g. wood, plasterboard and masonry. It is not suitable for use on highly flammable surfaces (e.g. polystyrene, textiles).

Waste electrical products should not be disposed of with household waste. Please recycle where facilities exist. Check with your local authority or retailer for recycling advice.

Layout

Plan the desired layout of these fittings carefully, ensuring the cables will reach the distances between the junction box and the light fitting.

Avoid locating any cables in positions that would cause a hazard. Position cables and junction boxes (not supplied) away from areas where they may be at risk from being cut, trapped or damaged.

The mains supply cable must have a minimum cross section area of 1.0mm².

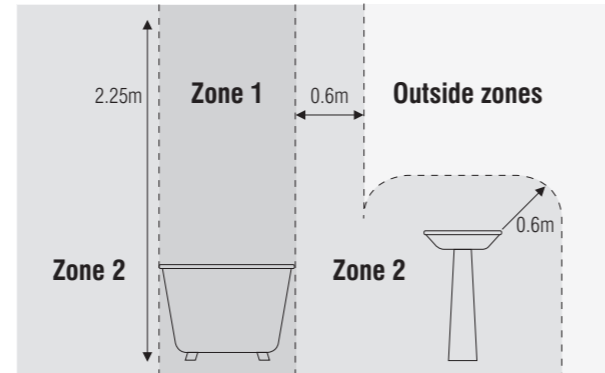
Cables must be protected using suitable conduit or plastic trunking.

Take care not to drill into any pipes or mains cables beneath the surface during mounting holes preparation.

This product can be ceiling or wall mounted. If wall mounting, note the position of the "This Way Up" marked on the back of the product and ensure it is correctly oriented.

If this unit is being fitted in a room containing a bath or shower, a 30mA RCD must be used - in accordance with IEE regulations.

This product is suitable for use in living areas, Bathroom Zone 2 and outsides of zones.



Installation

Existing fittings must be completely removed before installation of a new product. Before removing the existing fitting, carefully note the position of each set of wires.

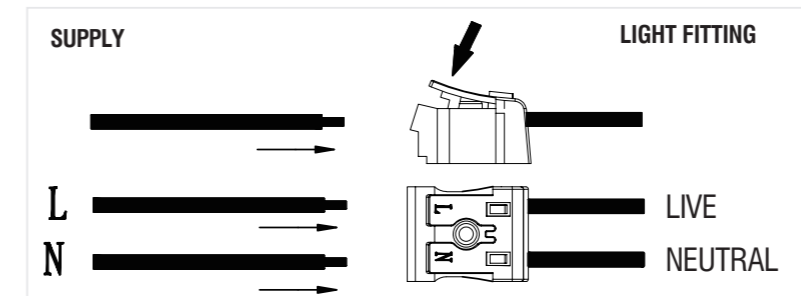
Note that the power needs to be isolated/switched off at the fuse board.

Ensure that the screws and cable entry points are sealed to maintain the IP rating of the product.

- Undo screws and remove diffuser.
- Drill holes in the back of your fitting for your fixing screws, take care and drill gently to ensure a clean hole through. Use a drill bit sized appropriately to your fixing screws (not supplied).
- Using the back of your fitting as a template, mark the position of your fixing holes on your mounting surface.
- Prepare the holes in your mounting surface as appropriate for your fixings.
- Pierce the rubber grommet in the back of your fitting making a hole just large enough to make a tight fit around the incoming mains cable.
- Thread the cable through the grommet and offer the fitting to the ceiling / wall.
- Secure the fitting in place. Note, if protection against ingress of moisture is required, the heads of screws must be covered with a silicone or similar sealant.
- Check that the grommet is still correctly fitted in the cable entry hole and around the incoming cable.
- Wire as the details wiring diagram
- Restore the power and switch on.

Wiring

- This product is double insulated and must not be earthed. If there are any incoming earth cables, they must be joined together and well insulated with good quality insulation tape. This is to ensure earth continuity throughout your property.
- Having correctly identified the wiring from your existing light fitting, connect to the quick fit connection block in the following way:tt



Check that...

- You have correctly identified the wires.
- The connections are tight.
- No loose strands have been left out of the connection block.
- When completed, ensure that there are no bare or loose strands of wire exposed, and cover all exposed areas of the connection block with 2 layers of insulation tape.

Technical data

Supply Voltage: 220-240 V~, 50 Hz


Bulb Type: 12W LED module (SMD), 6000K

This product contains a light source of energy efficiency class **E**.



UK CA Conformity with all relevant UKCA Directive requirements.

CE Conformity with all relevant EC Directive requirements.

 The power supply is Double Insulated and does not require connection to an Earth circuit.

 Waste electrical products should not be disposed of with household waste. Please recycle where facilities exist. Check with your Local Authority or local store for recycling advice.

 This product is not suitable for dimming.

 This product is rated at IP65.

Care and Safety

We recommend cleaning with a soft dry cloth. Do not use solvents or abrasive cleaners as these could damage the finish.

For your safety, always switch off the power supply before changing lightbulbs, or cleaning.

