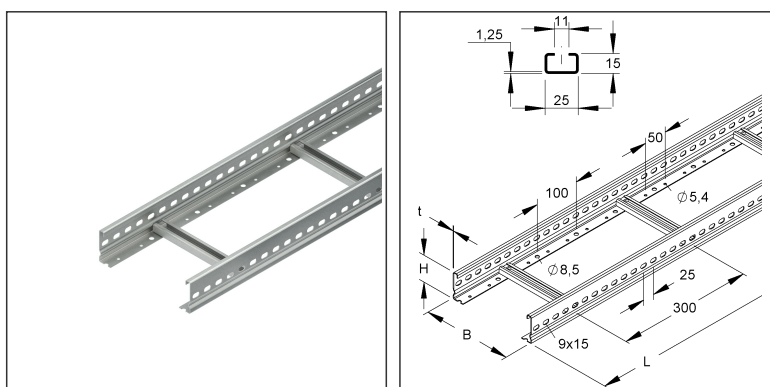
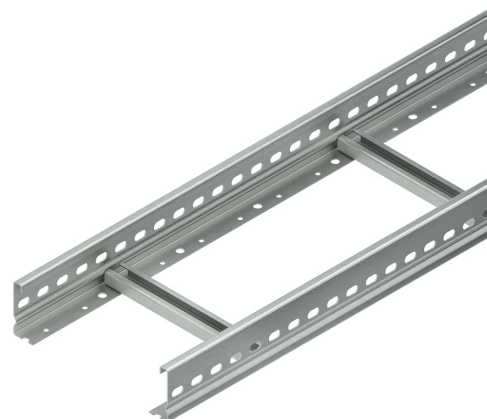


### Cable Ladder

rung spacing 300 mm, with continuously perforated side profiles, with riveted, upwardly open rungs made of C-profiles with 11 mm slot width

### KL 60.603/3

EAN Code: 4013339914623



### Article Description

Cable ladder, 60x600x3000 mm, t=1,5 mm, perforated, steel, pre-galvanised according to DIN EN 10346

### Additional Price Information

Article group	N13
---------------	-----

### Weight

Weight per quantity unit	3,357 kg
Weight in kg per 100	336 kg

### Physical Article Dimensions

Height	60.00 mm
Width	600 mm
Depth/length	3000 mm

# Technical Datasheet

## Cable Ladder System

KL 60.603/3

### Packing Dimension

<b>3 meters = 1 piece</b>		✓ VP1-smallest packaging unit ( PU)			
Lenght	3000 mm	Width	600 mm	Height	60.00 mm
Gross weight	10 kg	Volume	0,108 m <sup>3</sup>		
Min. quantity	3	Max. Quantity	3		

### Tender Text

Cable ladder acc. to DIN EN 61537, with continuously perforated and profiled side beams, with riveted rungs made of C-profiles with 11 mm slot width. Suitable U-clamps (BA... and BAK...).

Dimensions (approx. dimensions) H x W : 60 x 600 mm

Material thickness beam : 1.5 mm

Distance between rungs : 300 mm

Side beam perforation : 9 x 15 mm

Centre

distance : 25 mm

Bottom perforation : Ø 8.5 and Ø 5.4 mm Centre distance : 100 mm and 50 mm

Delivery length L : 3000 mm Transport length : 3000 mm + B

Usable cross-section : 25900 mm<sup>2</sup>

Material : Steel, pre-galvanised acc. to DIN EN 10346

NIEDAX Model No. : KL 60.603/3

EP Material\_\_\_\_\_ EP Wage\_\_\_\_\_

Unit price/meter

### Safety & Environment

REACH Date	10.06.2022
REACH Info	Conformable
RoHS Info	Conformable

### Origin & International Trade

Country of origin	DE
Federal State of Origin	RP
Customs tariff number	73089059

### Related items

#### Cover

Model No.	Description
RD 600	Cover for cable tray/-ladder, with joint strip, 602x3000 mm, steel, pre-galvanised according to DIN EN 10346
RDRS 9	Turning bolt with locking nut acc. to DIN EN ISO 10511, steel, pre-galvanised according to DIN EN 10346, incl. accessories
RDV 600	Cover for cable tray/-ladder, with joint strip, 602x3000 mm, steel, pre-galvanised according to DIN EN 10346

# Technical Datasheet

## Cable Ladder System

KL 60.603/3

### Related items

#### Barrier strip

Model No.	Description
KLWC 11	Barrier strip fastening clamp, for 11 mm slot width, steel, pre-galvanised according to DIN EN 10346, incl. accessories
RW 35	Barrier strip, 30x3000 mm, t=0,75 mm, steel, pre-galvanised according to DIN EN 10346, incl. accessories

#### Connector

Model No.	Description
KSV 60 S	Splice plate for cable ladder, height 60 mm, steel, pre-galvanised according to DIN EN 10346, incl. accessories