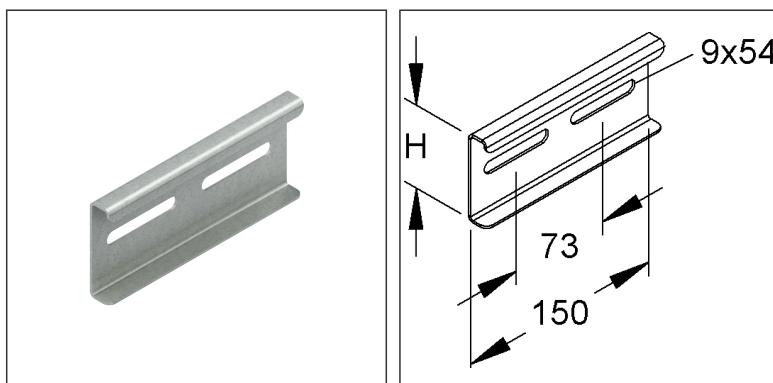


Splice Plate

KSV 60 S

EAN Code: 4013339289875



Article Description

Splice plate for cable ladder, height 60 mm, steel, pre-galvanised according to DIN EN 10346, incl. accessories

Incl. accessories

2 FLM 8X13 F

Additional Price Information

Article group	N13
---------------	-----

Weight

Weight per quantity unit	219 g
Weight in kg per 100	22 kg

Physical Article Dimensions

Height	64.00 mm
Width	15.00 mm
Depth/length	150.00 mm

Technical Datasheet

Cable Ladder System

KSV 60 S

Packing Dimension

20 pieces = 1 carton		✓ VP1-smallest packaging unit (PU)	✓ VP1-preferred PU		
Lenght	210 mm	Width	150.00 mm	Height	100.00 mm
Gross weight	4,56 kg	Volume	0,003 m ³		
Min. quantity	20	Max. Quantity	20		

3240 pieces = 1 pallet					
Lenght	1200 mm	Width	800 mm	Height	1000 mm
Gross weight	754 kg	Volume	0,960 m ³		
Min. Quantity	3.240.00	Max. Quantity	3.240.00		

Tender Text

Splice plate, to create a positive, longitudinally aligned connection, including proportional fastening accessories in hot-dip galvanised. The equipotential bonding is achieved by screwing it to the cable ladder and fitting beams. Can be used for : cable ladders, their fittings and vertical cable ladders with an edge height of 60 mm
Requirement : 2 pieces per joint Dimensions (approx. dimensions) H x L : 60 x 150 mm
Material : steel, pre-galvanised acc. to DIN EN 10346
NIEDAX Model No. : KSV 60 S
EP Material _____ EP Wage _____
Unit price/piece

Safety & Environment

REACH Date	10.06.2022
REACH Info	Conformable
RoHS Info	Conformable

Origin & International Trade

Country of origin	DE
Customs tariff number	73089059