

ARTICLE NUMBER

WSA8012302

WSA8012402

WSA1010302

WSA1208400

WSA1210302

WSA1212302

WSA1212402

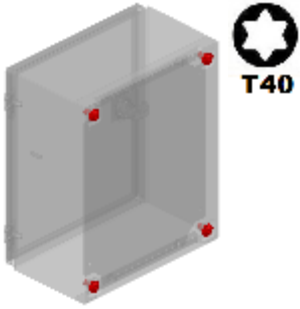
WSA1410302

WSA1410402

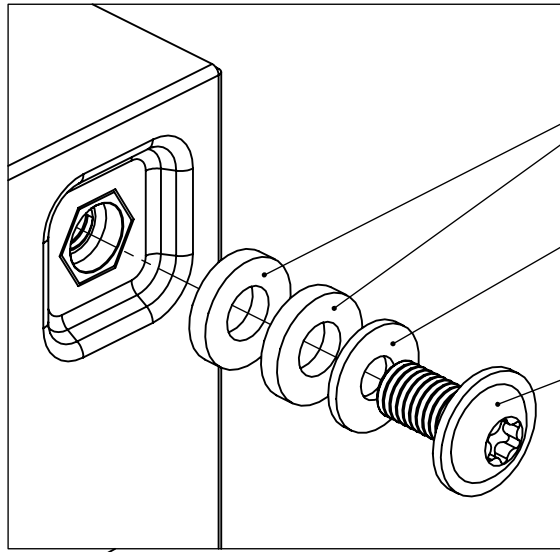
This product is an empty enclosure for low voltage switch gear applications with maximum rated voltage 1000V AC or 1500V DC for indoor use



GASKET AND BOLT ASSEMBLY



T40

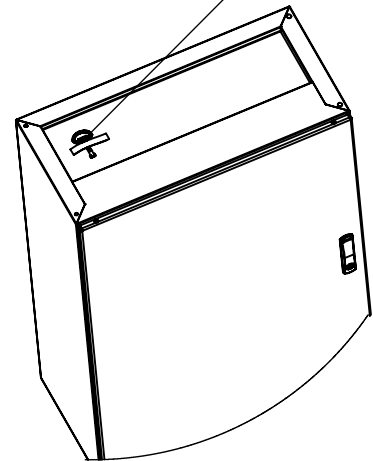
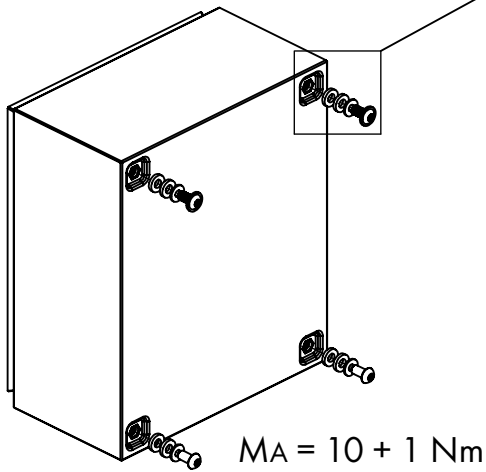


2

8

1

5

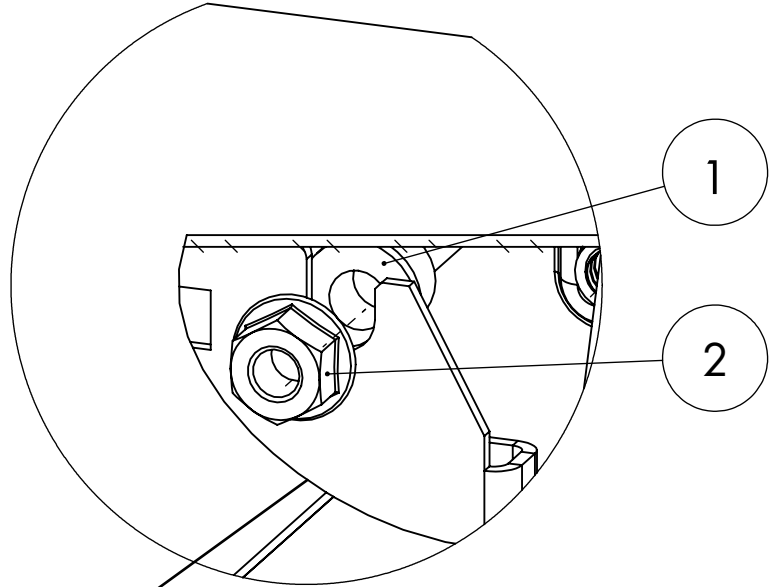
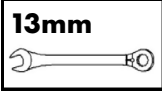
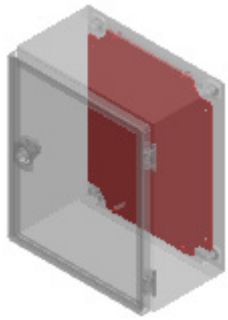


SUPPLY INCLUDES

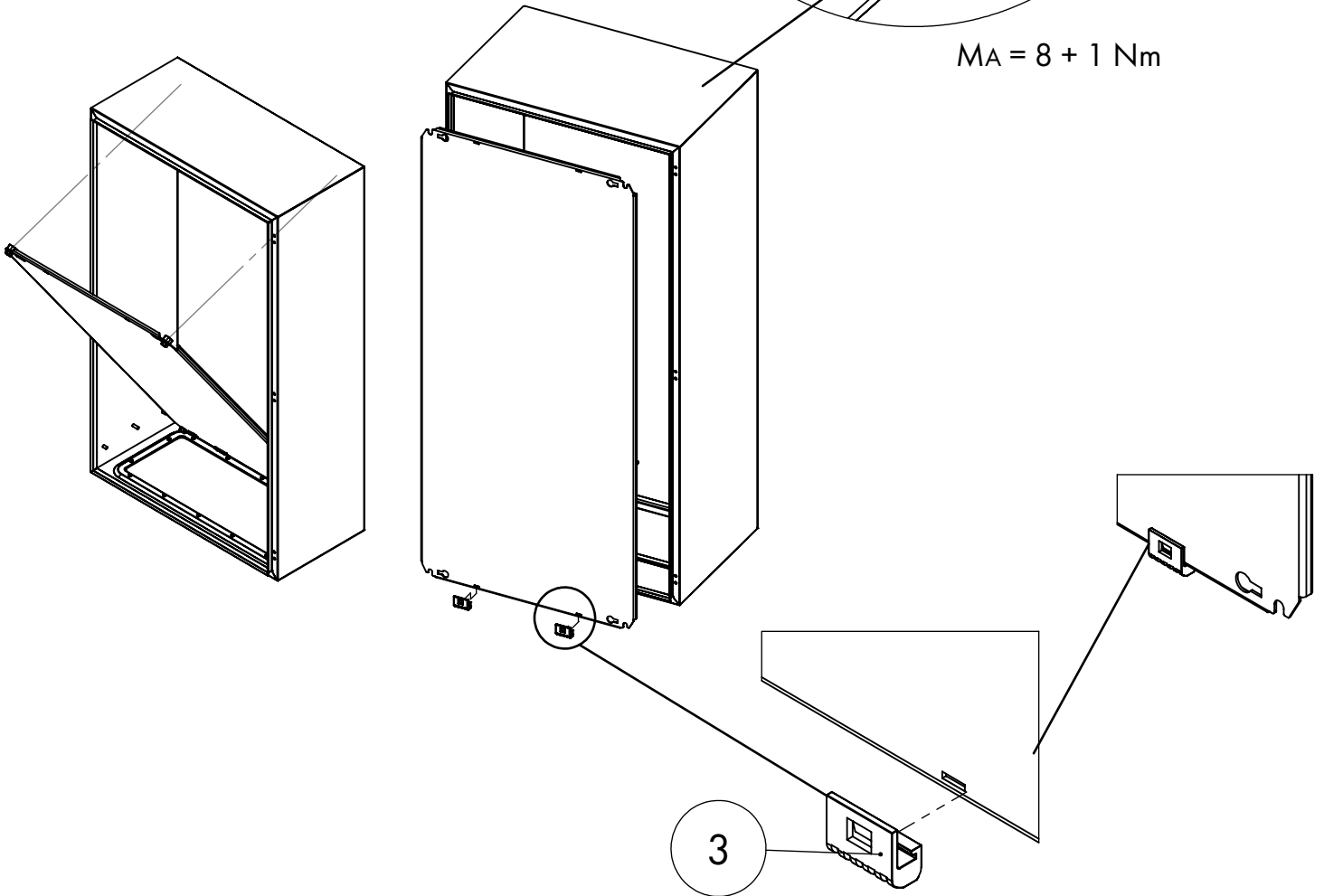
No.			Pcs.	No.			Pcs.
1		M8x16mm	4	6		M8x15mm	1
2		Gasket Ø16x8mm	8	7		M8	1
3		M6	S: 3 D: 6	8		Flat Washer M8	5
4		M6	S: 3 D: 6	9		Sticker	S: 4 D: 7
5		Double Bit Key	1				

S=Single Door
D=Double Door

MOUNTING PLATE ASSEMBLY

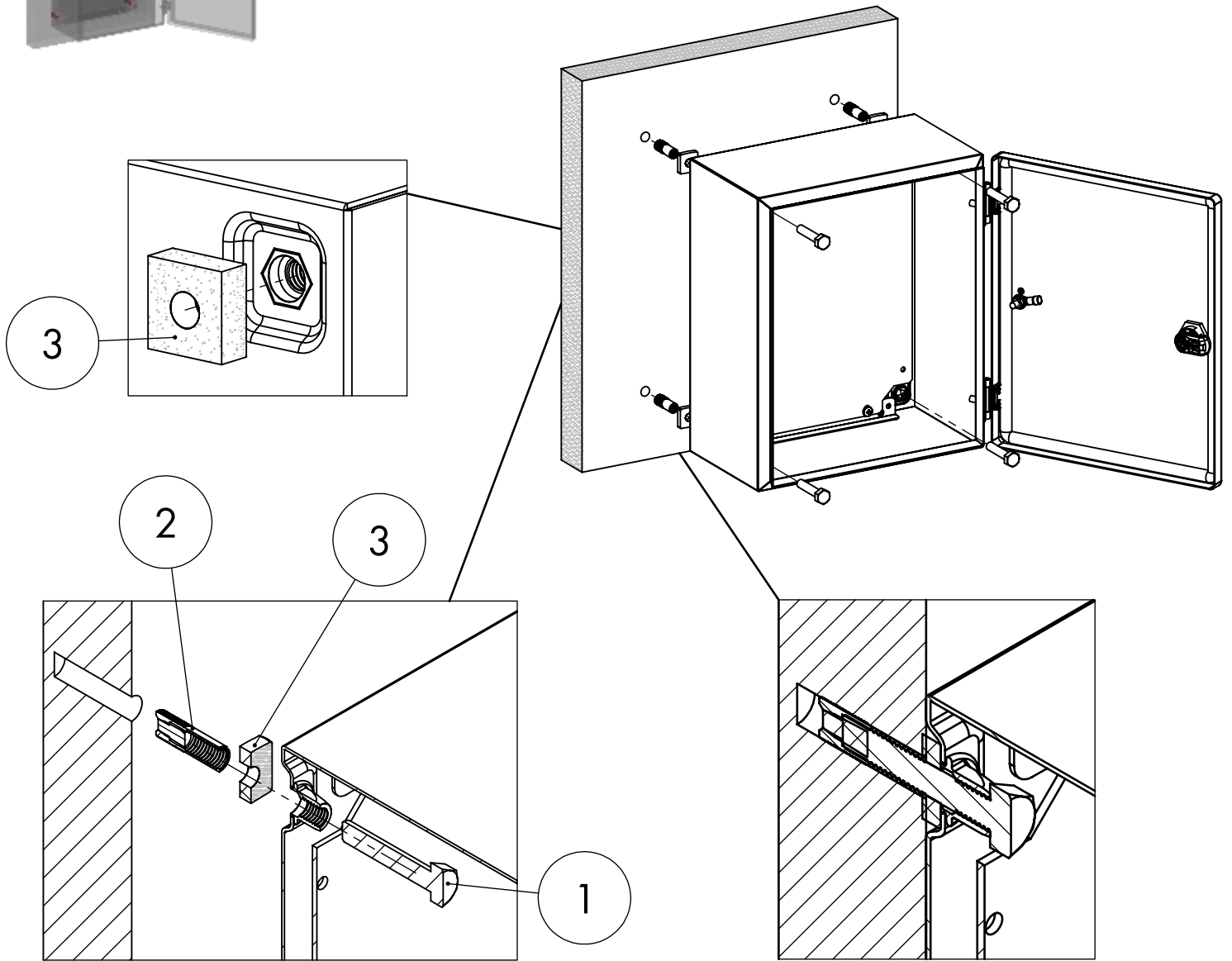
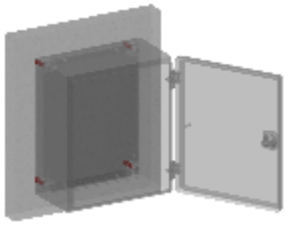
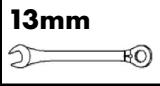


MA = 8 + 1 Nm



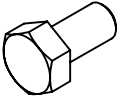

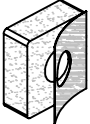
No.			Pcs.
1		M8x11 mm	4
2		M8	4
3		Mounting Plate Supporter	2
			From a Width of 1000mm: 3

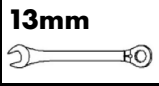
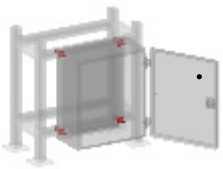
DIRECT MOUNTING



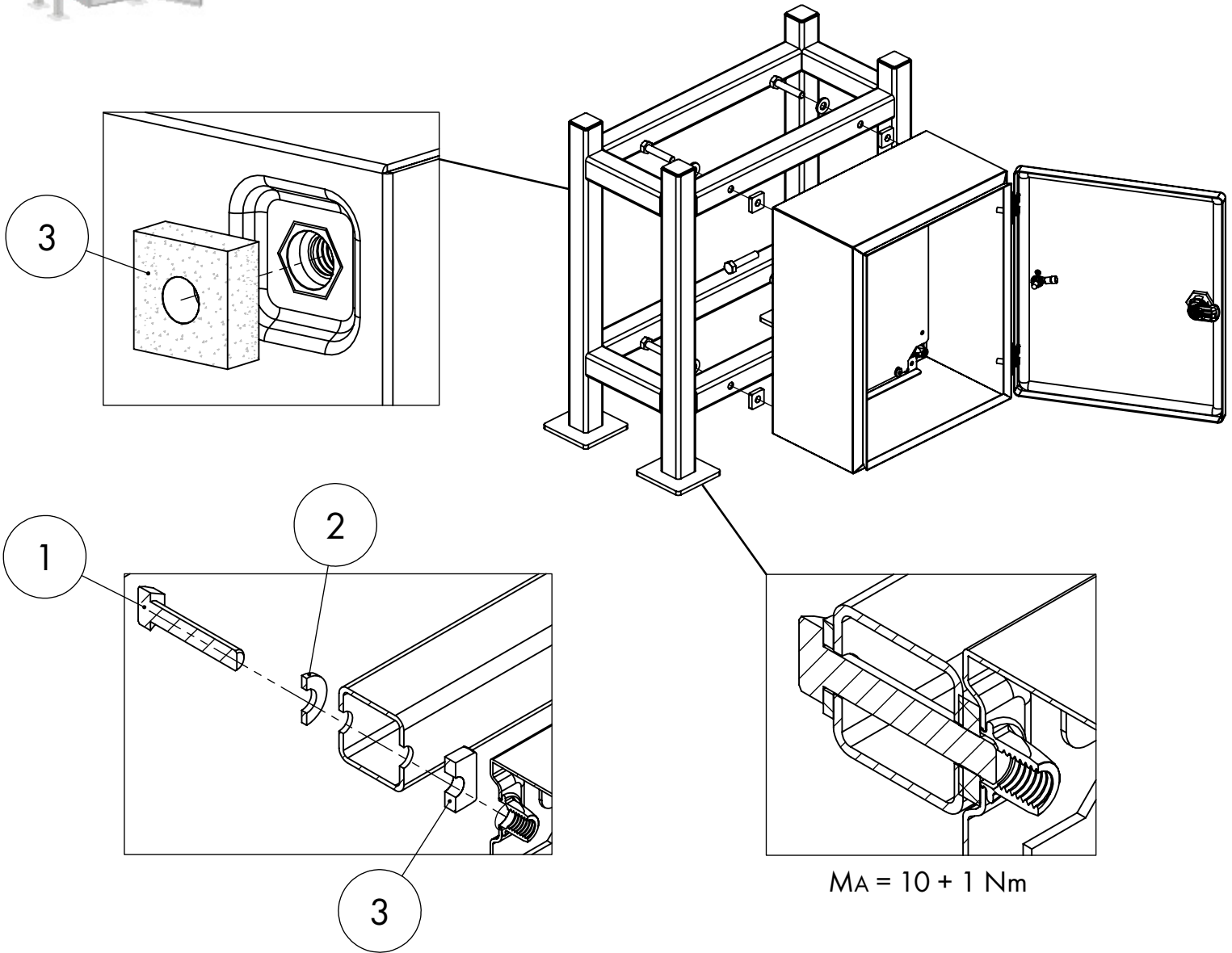
MA = 8 + 1 Nm

i RECOMMENDED PARTS (Not Included in Supply!)

No.			Pcs.
1		M8	4
2		Steel Dowel M8	4
3		Adhesive Gasket	4



ASSEMBLY TO PROFILE CONSTRUCTION



RECOMMENDED PARTS (Not Included in Supply!)

No.			Pcs.
1		M8	4
2		Flat Washer M8	4
3		Adhesive Gasket	4

EARTHING SYSTEM

