

Series
KOM



■ **Applications**

Spring-loaded backdraft damper for round ducts. The damper prevents back draft when the system is off. The blades are opened with air flow and are closed with a spring.

■ **Design**

The damper is made of galvanized steel housing with spring-loaded aluminium blades.

■ **Modifications**

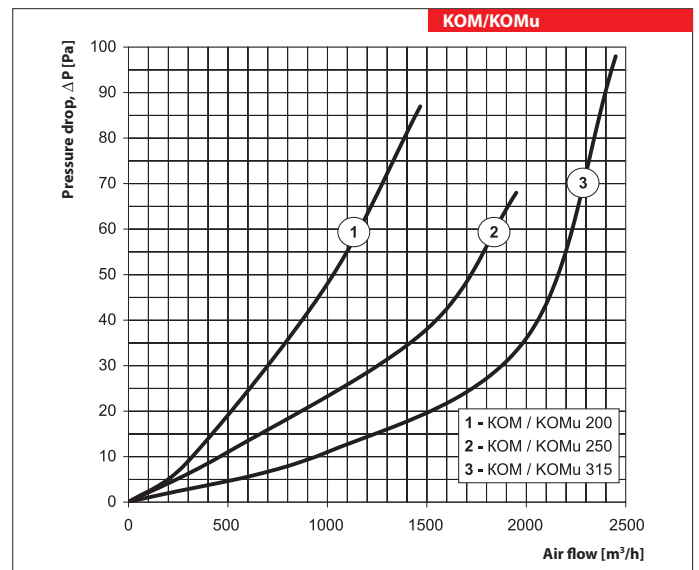
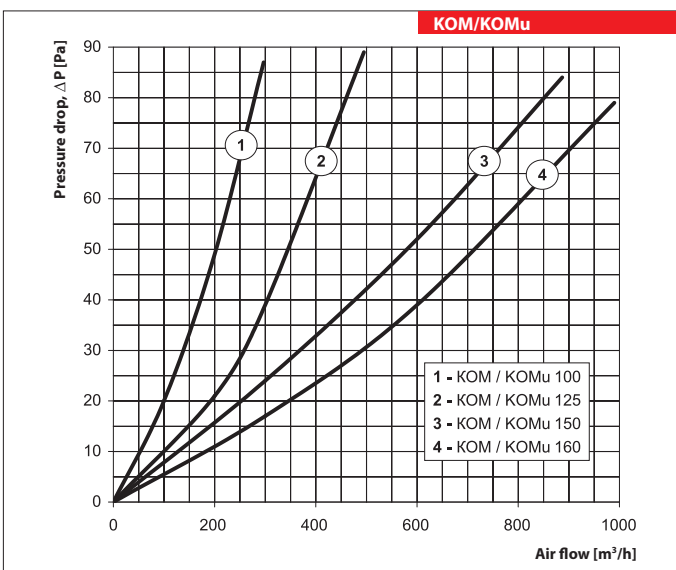
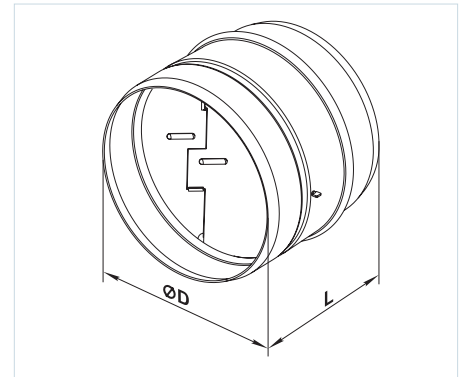
KOMu model is sealed with foamed rubber for noise absorption and extra air tightness.

■ **Mounting**

The damper is connected to round air ducts and fixed with clamps. The blade axis should be in vertical position. Correct air flow direction should be considered.

Overall dimensions

Type	Dimensions [mm]		Mass [kg]
	ØD	L	
KOM 100 KOMu 100	99	80 90	0.18
KOM 125 KOMu 125	124	100 110	0.27
KOM 150 KOMu 150	149	115 125	0.38
KOM 160 KOMu 160	159	120 130	0.42
KOM 200 KOMu 200	199	145 155	0.63
KOM 250 KOMu 250	249	165 175	0.90
KOM 315 KOMu 315	314	190 200	1.31



Designation key

Series	Spigot diameter [mm]
KOM/KOMu	100; 125; 150; 160; 200; 250; 315