

Product data sheet

Specifications



circuit breaker EasyPact CVS400N,
50 kA at 415 VAC, 400 A rating ETS
2.3 electronic trip unit, 3P 3d

LV540510

Main

Range	EasyPact
Product name	EasyPact CVS
Device short name	CVS400N
Product or component type	Circuit breaker
Device application	Distribution
Poles description	3P
Protected poles description	3D
Earth leakage protection (Vigi add on)	Without
[In] rated current	400 A at 40 °C
Network type	AC
Utilisation category	Category A
[Icu] Breaking capacity	70 kA Icu at 220/240 V AC 50/60 Hz conforming to IEC 60947-2 50 kA Icu at 380/415 V AC 50/60 Hz conforming to IEC 60947-2 42 kA Icu at 440 V AC 50/60 Hz conforming to IEC 60947-2
Trip unit name	ETS 2.3
Trip unit technology	Electronic
Trip unit rating	400 A at 40 °C
Protection type	Short time short-circuit protection Overload protection (long time) Instantaneous short-circuit protection

Complementary

[Uimp] rated impulse withstand voltage	8 kV conforming to EN/IEC 60947-2
Network frequency	50/60 Hz
Breaking capacity code	N
[Ics] rated service breaking capacity	70 kA at 220/240 V AC 50/60 Hz conforming to IEC 60947-2 50 kA at 380/415 V AC 50/60 Hz conforming to IEC 60947-2 32 kA at 440 V AC 50/60 Hz conforming to IEC 60947-2
Mechanical durability	15000 cycles
Electrical durability	6000 cycles 415 V In conforming to IEC 60947-2
Trip unit protection functions	LSol

Control type	Toggle
Long time pick-up adjustment type Ir	Adjustable 9 settings
Long time pick-up adjustment range	160...400 A
Long time delay adjustment type	Fixed
[Tr] long-time delay adjustment range	5.5 s at 7.2 x Ir 8 s at 6 x Ir 200 s at 1.5 x Ir
Thermal memory	Yes
Short-time pick-up adjustment type I _{sd}	Adjustable 9 settings
[I _{sd}] short-time pick-up adjustment range	1.5...10 x Ir
Short-time delay adjustment type	Fixed
Instantaneous pick-up adjustment type I _i	Fixed
Instantaneous pick-up adjustment range	11 x I _n
Contact position indicator	Yes
Mounting mode	Fixed
Mounting support	Backplate
Upside connection	Front
Downside connection	Front
Connections - terminals	Screw connection
Connection pitch	45 mm
Compatibility code	CVS400
Width	140 mm
Depth	110 mm
Height	255 mm
Net weight	4.7 kg

Environment

Standards	EN 60947-2 IEC 60947-2
Product certifications	IEC GOST
Electrical shock protection class	Class II
Pollution degree	3 conforming to IEC 60664-1
IP degree of protection	IP40
Ambient air temperature for operation	-25...70 °C
Ambient air temperature for storage	-50...85 °C

Packing Units

Unit Type of Package 1	Db
Number of Units in Package 1	1

Package 1 Height	15.262 cm
Package 1 Width	15.794 cm
Package 1 Length	29.215 cm
Package 1 Weight	5.151 kg
Unit Type of Package 2	CAR
Number of Units in Package 2	3
Package 2 Height	23.0 cm
Package 2 Width	38.3 cm
Package 2 Length	50.8 cm
Package 2 Weight	16.781 kg
Unit Type of Package 3	PAL
Number of Units in Package 3	48
Package 3 Height	90.0 cm
Package 3 Width	80.0 cm
Package 3 Length	120.0 cm
Package 3 Weight	282840.0 g

Offer Sustainability

Sustainable offer status	Green Premium product
REACH Regulation	REACH Declaration
EU RoHS Directive	Compliant EU RoHS Declaration
Mercury free	Yes
China RoHS Regulation	China RoHS declaration Product out of China RoHS scope. Substance declaration for your information
RoHS exemption information	Yes
Environmental Disclosure	Product Environmental Profile
Circularity Profile	End of Life Information
WEEE	The product must be disposed on European Union markets following specific waste collection and never end up in rubbish bins

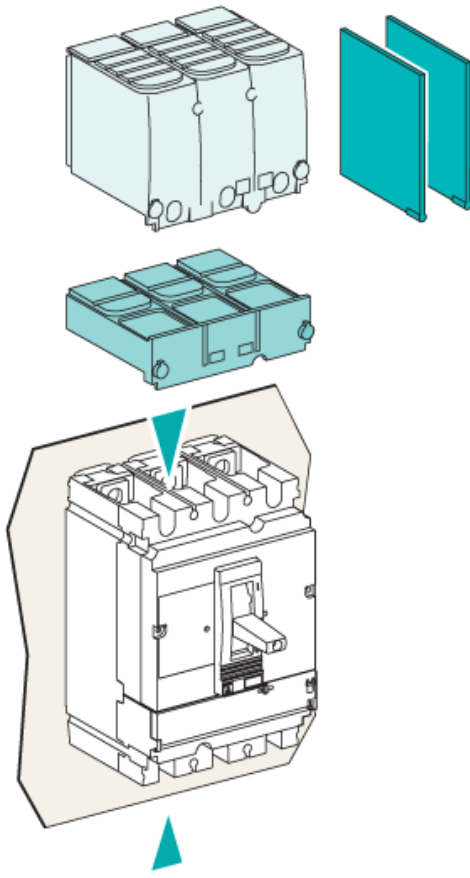
Contractual warranty

Warranty	18 months
----------	-----------

Product data sheet

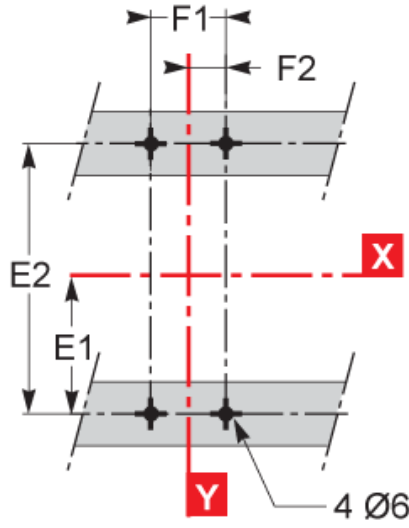
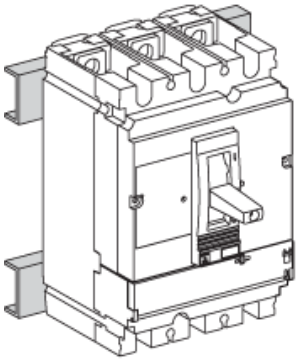
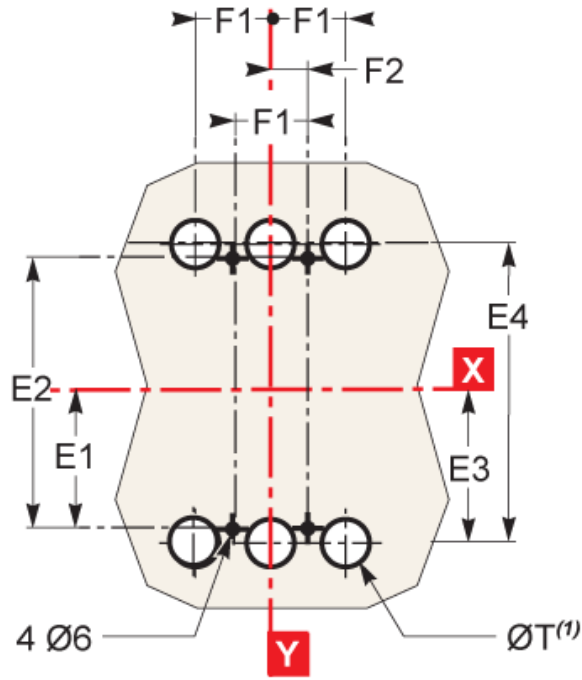
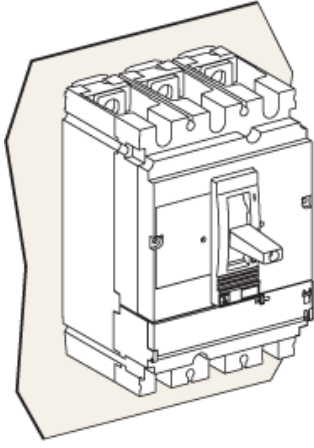
Dimensions Drawings

LV540510



Type	A	A1	A2	A3	A4	A5	A6	A7	A8	A9	B	B1	B2	C1	C2	C3	E1
CVS100/160/250	80.5	161	94	145	178.5	155.5	236	169	220	253.5	52.5	105	140	81	86	111 ⁽²⁾	62.5
CVS400/630	127.5	255	142.5	200	237	227.5	355	242.5	300	337	70	140	185	95.5	110	168	100
Type	E2	E3	E4	E5	E6	E7	E8	F1	F2	F3	G1	G2	G3	G4	G5	G7	U
CVS100/160/250	125	70	140	137.5	200	145	215	35	17.5	70	96	75	13.5	23	17.5	24	y 32
CVS400/630	200	113.5	227	200	300	213.5	327	45	22.5	90	-	-	-	-	-	32	y 35

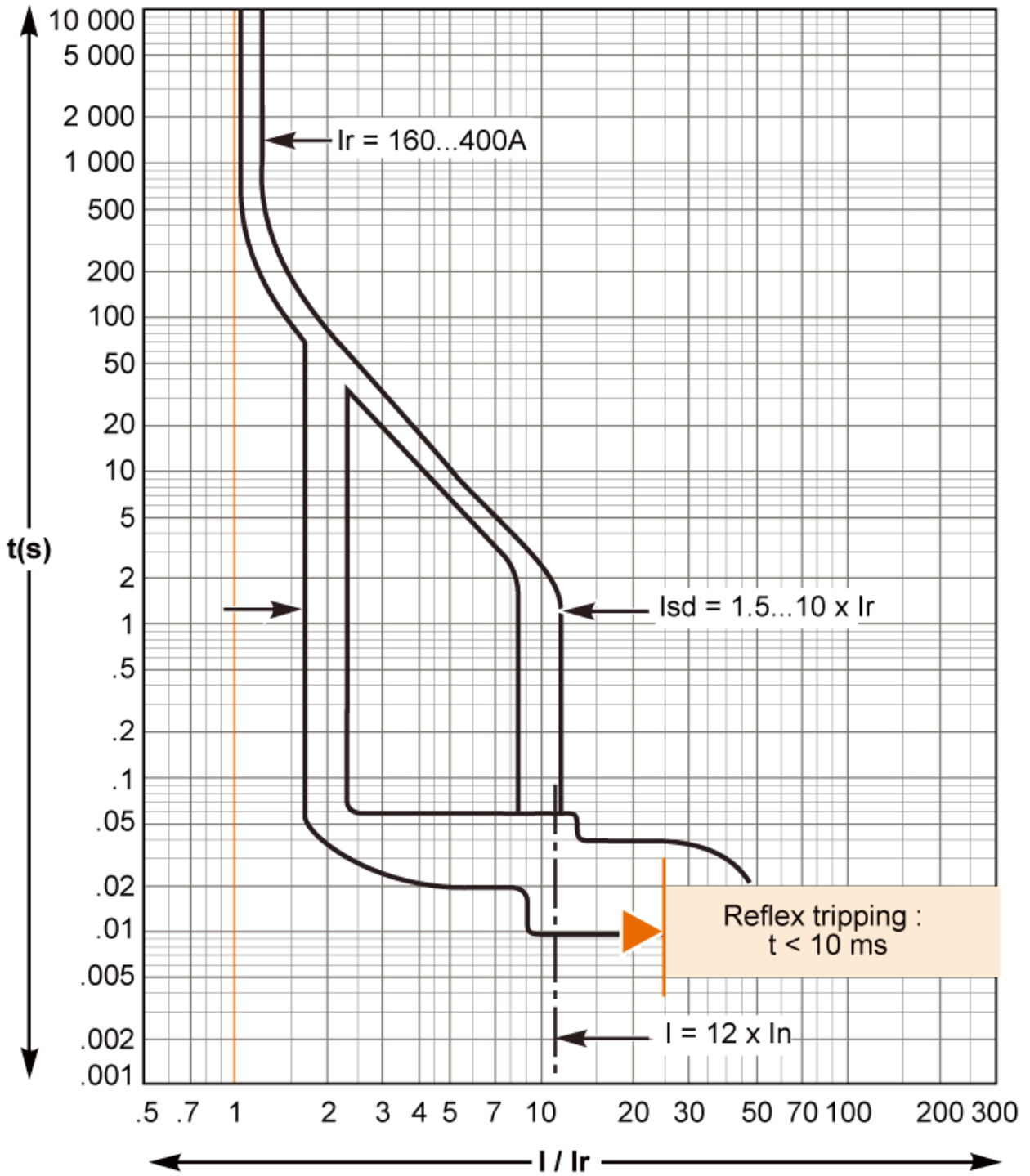
(2) C3=126mm for EasyPact CVS250B.F.



Type	A	A1	A2	A3	A4	A5	A6	A7	A8	A9	B	B1	B2	C1	C2	C3	E1
CVS100/160/250	80.5	161	84	145	178.5	155.5	236	169	220	253.5	52.5	105	140	81	86	111 ⁽²⁾	62.5
CVS400/630	127.5	255	142.5	200	237	227.5	355	242.5	300	337	70	140	185	95.5	110	168	100
Type	E2	E3	E4	E5	E6	E7	E8	F1	F2	F3	G1	G2	G3	G4	G5	ØT	U
CVS100/160/250	125	70	140	137.5	200	145	215	35	17.5	70	96	75	13.5	23	17.5	24	y 32
CVS400/630	200	113.5	227	200	300	213.5	327	45	22.5	90	-	-	-	-	-	32	y 35

(2) C3=126mm for EasyPact CVS250B/F.

Performance Curves



Recommended replacement(s)