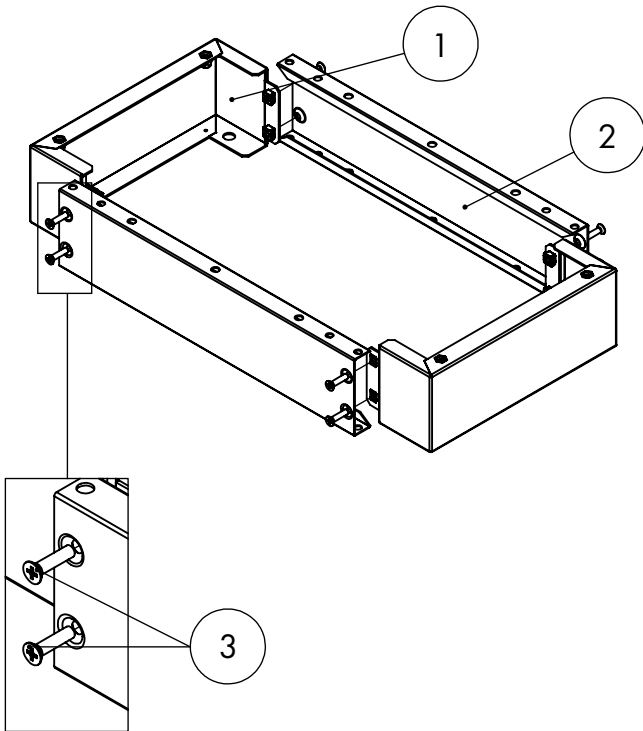




WSA Plinths

H=100mm

1



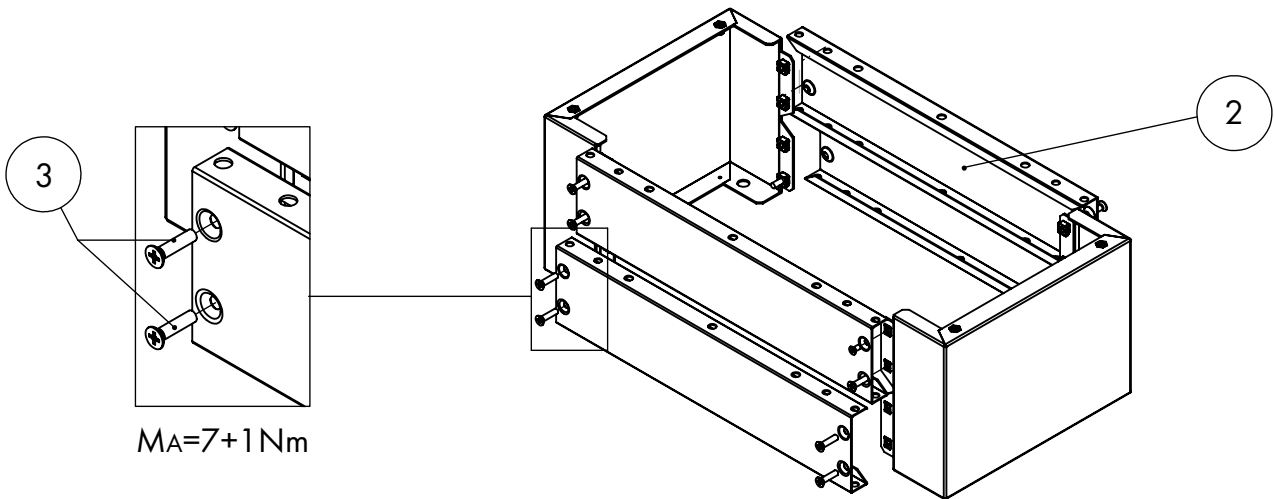
Article Number	Number of Pieces	Depth [mm]	Height [mm]
WSASOT031	2	300	100
WSASOT032	2	300	200
WSASOT041	2	400	100
WSASOT042	2	400	200

2

Article Number	Number of Pieces	Width [mm]	Height [mm]
WSASOB051	2	500	100
ATSOB061	2	600	100
ATSOB081	2	800	100
ATSOB101	2	1000	100
ATSOB121	2	1200	100




MA=7+1Nm

H=200mm

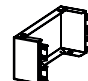




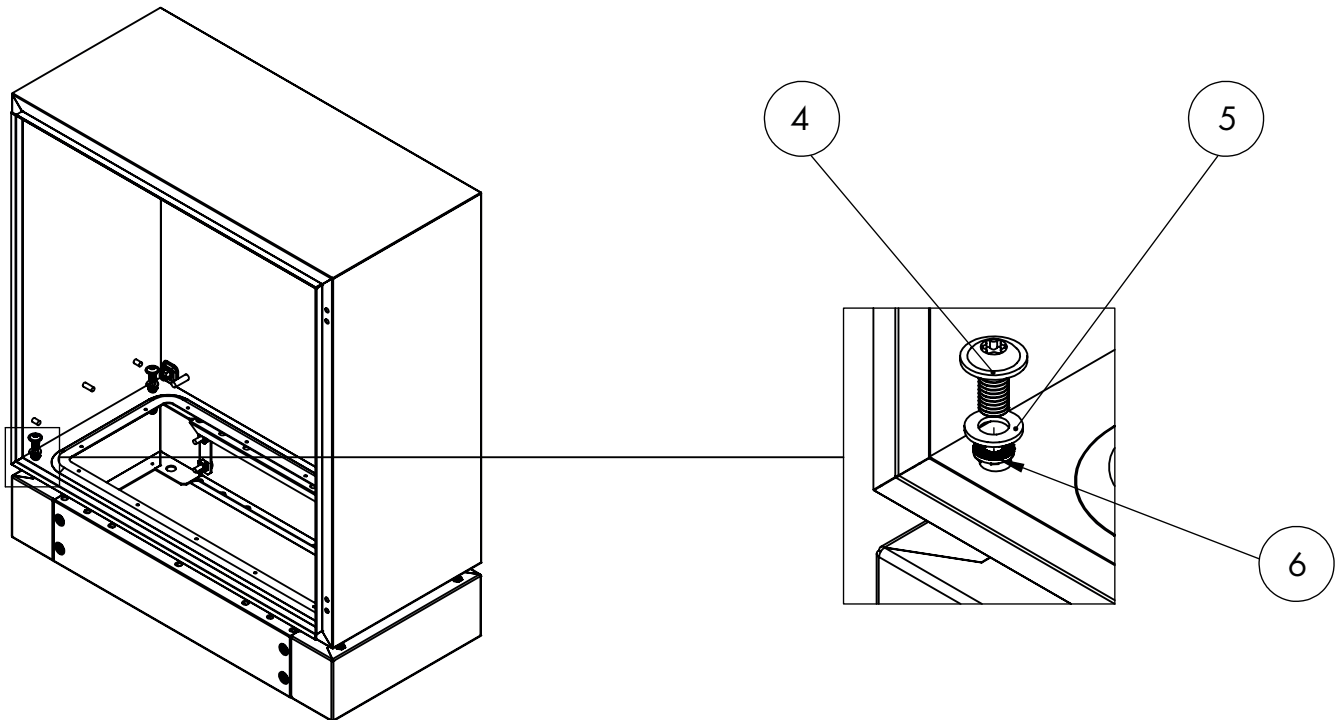
MA=7+1Nm




SUPPLY INCLUDES
for H=100mm

No.		Pcs.
1	 Plinth Side Cover	2
2	 Plinth Front Cover	2
3	 M6x25mm	8

SUPPLY INCLUDES
for H=200mm

No.		Pcs.
1	 Plinth Side Cover	2
2	 Plinth Front Cover	2
3	 M6x25mm	8

WSA Plinth Assembly**SUPPLY INCLUDES**

No.		Pcs.
4	 M8x16mm	4
5	 M8	4
6	 M8	4

Maximum Allowable Static Load: 3500N