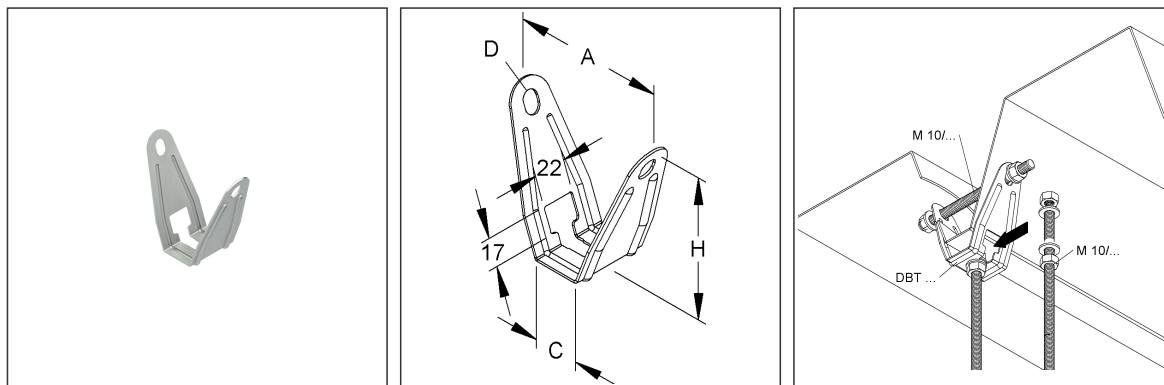


Ceiling Bracket

DBT 40

EAN Code: 4013339197200
 Smallest packaging unit: 50 pcs.

the photorealistic images are to be considered as reference images



Article Description

Ceiling bracket, for threaded rod M10, steel, pre-galvanised according to DIN EN 10346

Additional Price Information

Article group	N13
quantity unit	pcs.

Weight

Weight per quantity unit	111 g / pcs.
Weight in kg per 100	11 kg / 100pcs.

Physical Article Dimensions

Height	96.60 mm
Width	50.50 mm
Depth/length	102.00 mm

Technical Datasheet

Supporting structure

DBT 40

the photorealistic images are to be considered as reference images

Packing Dimension

50 pieces = 1 carton		✓ VP1-smallest packaging unit (PU)		✓ VP1-preferred PU	
Lenght	350 mm	Width	250 mm	Height	145.00 mm
Gross weight	6,08 kg	Volume	0,013 m ³		
Min. quantity	50.00 pcs.	Max. Quantity	50.00 pcs.		
2000 pieces = 1 pallet					
Lenght	1200 mm	Width	800 mm	Height	1000 mm
Gross weight	258 kg	Volume	0,960 m ³		
Min. Quantity	2.000.00 pcs.	Max. Quantity	2.000.00 pcs.		

Tender Text

Ceiling bracket, for mounting chains and threaded rods M 10/... on trapezoidal sheet metal ceilings, threaded rods or eyebolts can be hooked in, "keyhole system".

Dimensions (approx. dimensions)

Height H : 96.5 mm

Width C (inside) : 30 mm

Opening dimension A : 102 mm

Fastening hole D : 11 x 15 mm

Material : Steel, pre-galvanised acc. to DIN EN 10346

NIEDAX Model No. : DBT 40

EP Material _____ EP Wage _____

Unit price/piece

Safety & Environment

REACH Date	17.01.2023
REACH Info	Conformable
RoHS Info	Conformable

Origin & International Trade

Country of origin	DE
Customs tariff number	73089059