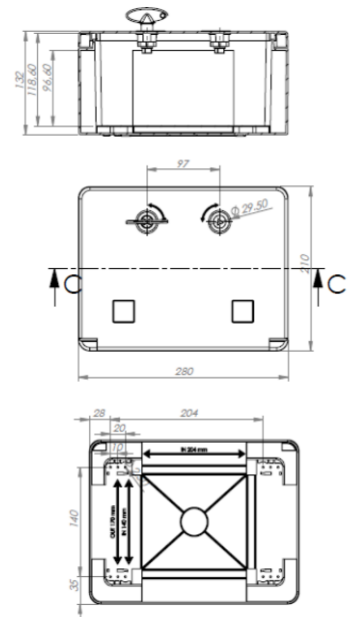


210x280x130

STANDARD ABS ENCLOSURES WITH GALVANISE BASE PLATE



Product Code:	800.700.001
Dimensions (mm):	280x210x130
Protection Class:	IP 65
IK:	IK 8
Color:	RAL 7035
Material:	ABS
Weight:	1,272 kg
Certificates:	IEC 60670-1:2015 IEC 60670-24:2011 TSE-EN-ISO 9001:2015
Usage Areas:	Wall / Pole
Density Working:	1,05 cm ³
Temperature:	(- 25 + 60)
Included:	ABS body ABS cover Metallic plate for mounting Plastic lock + key Wall mounting brackets

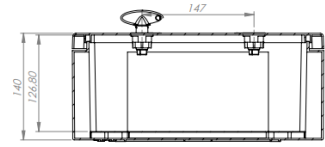


250x330x140

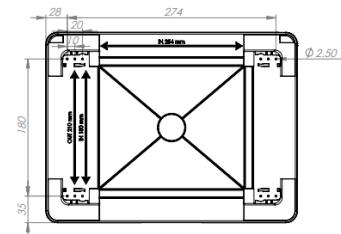
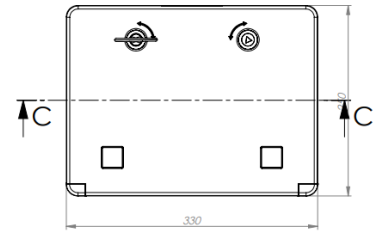
STANDARD ABS ENCLOSURES WITH GALVANISE BASE PLATE



Product Code:	800.700.002
Dimensions (mm):	250x330x140
Protection Class:	IP 65
IK:	IK 8
Color:	RAL 7035
Material:	ABS
Weight:	1,666 kg
Certificates:	IEC 60670-1:2015 IEC 60670-24:2011 TSE-EN-ISO 9001:2015
Usage Areas:	Wall / Pole
Density Working:	1,05 cm ³
Temperature:	(- 25 + 60)
Included:	ABS body ABS cover Metallic plate for mounting Plastic lock + key Wall mounting brackets



C-C KESİTİ

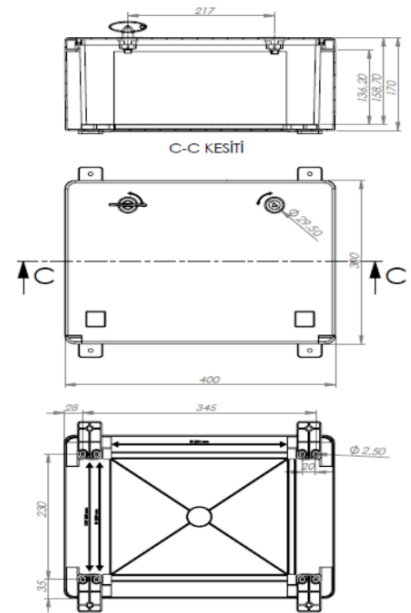


300x400x170

STANDARD ABS ENCLOSURES
WITH GALVANISE BASE PLATE



Product Code:	800.700.003
Dimensions (mm):	300x400x170
Protection Class:	IP 65
IK:	IK 8
Color:	RAL 7035
Material:	ABS
Weight:	2,549 kg
Certificates:	IEC 60670-1:2015 IEC 60670-24:2011 TSE-EN-ISO 9001:2015
Usage Areas:	Wall / Pole
Density Working:	1,05 cm ³
Temperature:	(- 25 + 60)
Included:	ABS body ABS cover Metallic plate for mounting Plastic lock + key Wall mounting brackets



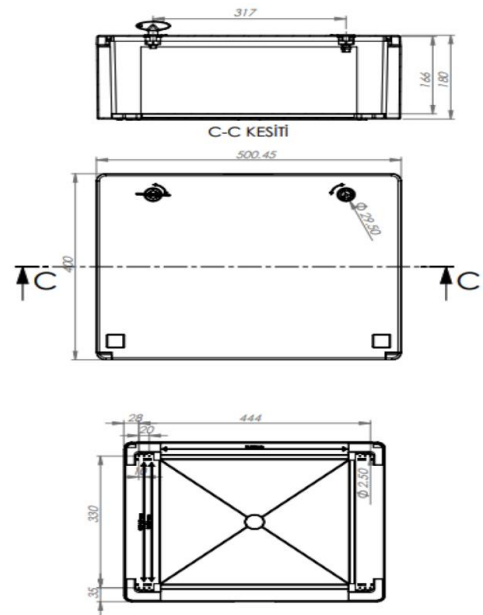
400x500x180

STANDARD ABS ENCLOSURES WITH GALVANISE BASE PLATE



Product Code: 800.700.004
Dimensions (mm): 400x500x180
Protection Class: IP 65
IK: IK 8
Color: RAL 7035
Material: ABS
Weight: 4,000 kg
Certificates: IEC 60670-1:2015 IEC 60670-24:2011
TSE-EN-ISO 9001:2015

Usage Areas: Wall / Pole
Density Working: 1,05 cm³
Temperature: (- 25 + 60)
Included: ABS body
ABS cover
Metallic plate for mounting Plastic lock + key
Wall mounting brackets



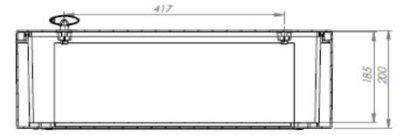
400x600x200

STANDARD ABS ENCLOSURES WITH GALVANISE BASE PLATE



Product Code:	800.700.005
Dimensions (mm):	400x600x200
Protection Class:	IP 65
IK:	IK 8
Color:	RAL 7035
Material:	ABS
Weight:	5,258 kg
Certificates:	IEC 60670-1:2015 IEC 60670-24:2011 TSE-EN-ISO 9001:2015

Usage Areas:	Wall / Pole
Density Working:	1,05 cm ³
Temperature:	(- 25 + 60)
Included:	ABS body ABS cover Metallic plate for mounting Plastic lock + key Wall mounting brackets



C-C KESİTİ

