

Wire Mesh Tray

U-shaped, spot-welded from steel wires, with welded connector

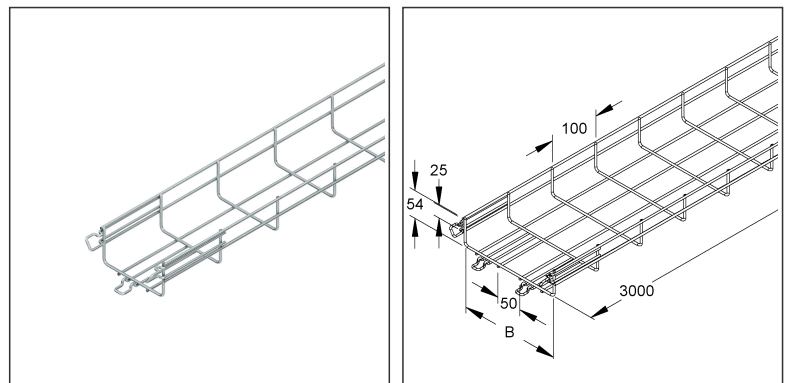
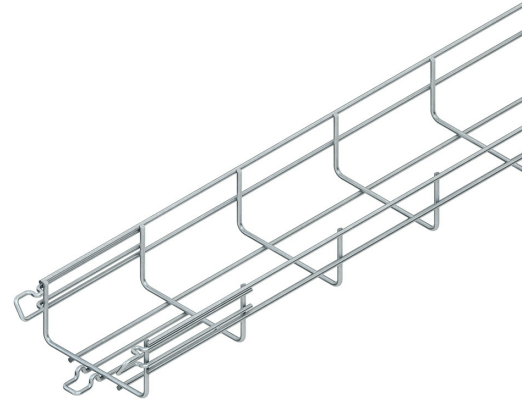
MTC 54.100 F nx**CITO**Line

EAN Code: 4013339712076

Smallest packaging unit:3 m

quantity unit:m M

the photorealistic images are to be considered as reference images



Article Description

Wire mesh tray, U-shaped, w. welded connector, 54x100x3000 mm, CITO, steel, hot dip galvanised DIN EN ISO 1461

Additional Price Information

Article group	N13
quantity unit	m

Weight

Weight per quantity unit	844 g / m
Weight in kg per 100	84 kg / 100m

Technical Datasheet

Wire Mesh Tray System

MTC 54.100 F nx **CITO**Line

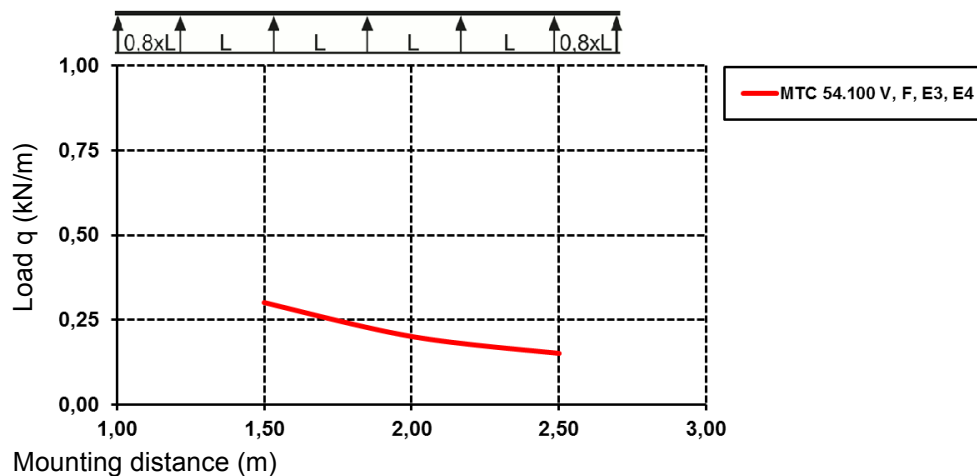
the photorealistic images are to be considered as reference images

Physical Article Dimensions

Height	58.90 mm
Width	115.60 mm
Depth/length	3026 mm

Load Specifications

Load diagram: q = evenly distributed cable load (tested acc. to DIN EN IEC 61537)



The load details shown in the diagram are independent of the position of the connectors.

Packing Dimension

3 meters = 1 piece		✓ VP1-smallest packaging unit (PU)			
Lenght	3027 mm	Width	116.00 mm	Height	59.00 mm
Gross weight	2,53 kg	Volume	0,021 m ³		
Min. quantity	3.00 m	Max. Quantity	3.00 m		
6 meters = 1 bundle					
Lenght	3027 mm	Width	121.00 mm	Height	64.00 mm
Gross weight	5,06 kg	Volume	0,023 m ³		
Min. Quantity	6.00 m	Max. Quantity	6.00 m		
630 meters = 1 rack					
Lenght	3027 mm	Width	1162 mm	Height	1120 mm
Gross weight	629 kg	Volume	3,939 m ³		
Min. Quantity	630.00 m	Max. Quantity	630.00 m		

Tender Text

Wire mesh tray according to DIN EN 61537, U-shaped, made of steel wires, spot-welded, for quick fixing with welded splice plates in the sides and bottom. VDE certified! For use in functional integrity maintenance, please observe additional regulations!

Dimensions (approx. dimensions) Nominal dimension H x W (inside) : 54 x 100 mm

Technical Datasheet

Wire Mesh Tray System

MTC 54.100 F NX CITO Line

the photorealistic images are to be considered as reference images

Tender Text

Longitudinal wire \varnothing : 3.9 mm
Bottom longitudinal wire spacing : 50 mm
Transverse wire \varnothing : 3.9 mm
Transverse wire spacing : 100 mm
Delivery length L : 3000 mm
Usable cross-section : 5110 mm²
Material : Steel, hot-dip galvanised according to DIN EN ISO 1461
NIEDAX Model no. : MTC 54.100 F
EP Material _____ EP Wage _____
Unit price/metre

Safety & Environment

REACH Date	17.01.2023
REACH Info	Conformable
RoHS Info	Conformable

Origin & International Trade

Country of origin	DE
Customs tariff number	73089098

Related items

Cover

Model No.	Description
GRDHL 30 F	Cover retaining lug for cover wire mesh tray, steel, hot dip galvanised DIN EN ISO 1461
GTD 100 F	Cover for wire mesh tray, 100x3000 mm, steel, HDGAF, acc. DIN EN ISO 1461
MTCC 100/7.5° F	Cover for MTC wire mesh tray, 111,2x3000 mm, 7,5° tilt angle, steel, hot dip galvanised DIN EN ISO 1461

Barrier strip

Model No.	Description
GRTB 6 F	Barrier strip fastening clamp, steel, hot dip galvanised DIN EN ISO 1461
GRVC 14 F	Barrier strip fastening clamp, steel, hot dip galvanised DIN EN ISO 1461, incl. accessories
RW 50 F	Barrier strip, 47x3000 mm, t=0,75 mm, steel, hot dip galvanised DIN EN ISO 1461, incl. accessories
RW 60 F	Barrier strip, 55x3000 mm, t=0,75 mm, steel, hot dip galvanised DIN EN ISO 1461, incl. accessories