

Wire Mesh Tray

U-shaped, spot-welded from steel wires, with welded connector

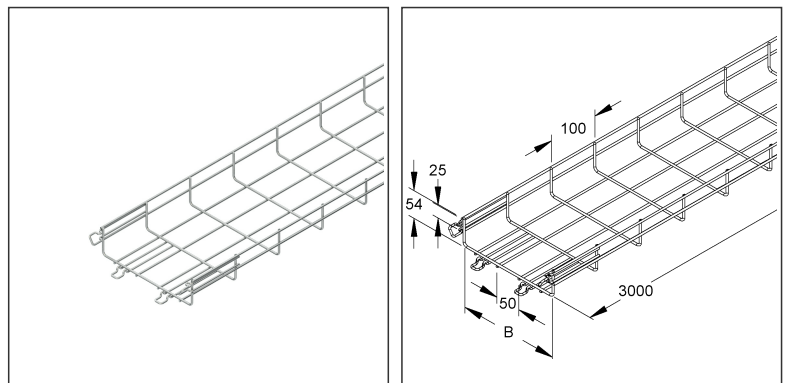
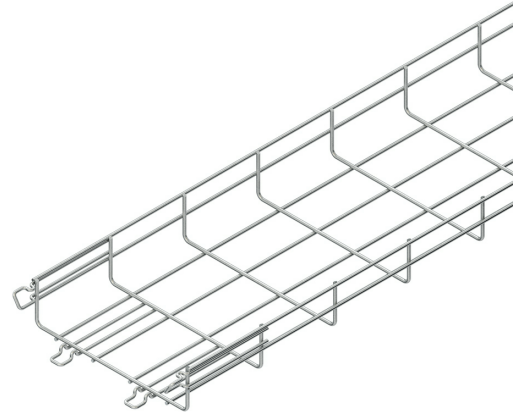
MTC 54.200 F NX **CITO**Line

EAN Code: 4013339712090

Smallest packaging unit: 3 m

quantity unit: m M

the photorealistic images are to be considered as reference images



Article Description

Wire mesh tray, U-shaped, w. welded connector, 54x200x3000 mm, CITO, steel, hot dip galvanised DIN EN ISO 1461

Additional Price Information

Article group	N13
quantity unit	m

Weight

Weight per quantity unit	1,146 kg / m
Weight in kg per 100	115 kg / 100m

Technical Datasheet

Wire Mesh Tray System

MTC 54.200 F nx CITO Line

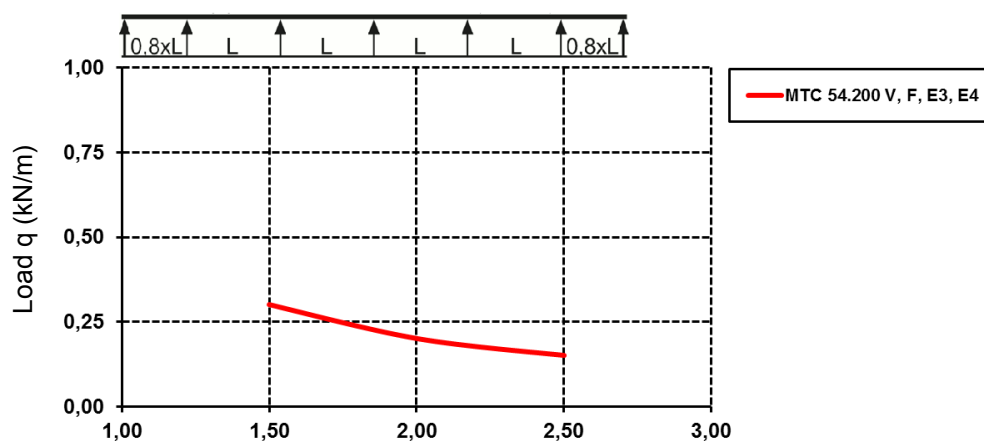
the photorealistic images are to be considered as reference images

Physical Article Dimensions

Height	58.90 mm
Width	215.60 mm
Depth/length	3026 mm

Load Specifications

Load diagram: q = evenly distributed cable load (tested acc. to DIN EN IEC 61537)



Mounting distance (m)

The load details shown in the diagram are independent of the position of the connectors.

Packing Dimension

3 meters = 1 piece		✓ VP1-smallest packaging unit (PU)	
Lenght	3027 mm	Width	216 mm
Gross weight	3,44 kg	Volume	0,038 m ³
Min. quantity	3.00 m	Max. Quantity	3.00 m
6 meters = 1 bundle			
Lenght	3027 mm	Width	221 mm
Gross weight	6,88 kg	Volume	0,043 m ³
Min. Quantity	6.00 m	Max. Quantity	6.00 m
360 meters = 1 rack			
Lenght	3027 mm	Width	1162 mm
Gross weight	510 kg	Volume	3,939 m ³
Min. Quantity	360.00 m	Max. Quantity	360.00 m

Tender Text

Wire mesh tray according to DIN EN 61537, U-shaped, made of steel wires, spot-welded, for quick fixing with welded splice plates in the sides and bottom. VDE certified! For use in functional integrity maintenance, please observe additional regulations!
 Dimensions (approx. dimensions) Nominal dimension H x W (inside) : 54 x 200 mm

Technical Datasheet

Wire Mesh Tray System

MTC 54.200 F nx **CITO**Line

the photorealistic images are to be considered as reference images

Tender Text

Longitudinal wire \varnothing : 3.9 mm
Bottom longitudinal wire spacing : 50 mm
Transverse wire \varnothing : 3.9 mm
Transverse wire spacing : 100 mm
Delivery length L : 3000 mm
Usable cross-section : 10220 mm²
Material : Steel, hot-dip galvanised according to DIN EN ISO 1461
NIEDAX Model no. : MTC 54.200 F
EP Material _____ EP Wage _____
Unit price/metre

Safety & Environment

REACH Date	17.01.2023
REACH Info	Conformable
RoHS Info	Conformable

Origin & International Trade

Country of origin	CH
Customs tariff number	73089098

Related items

Cover

Model No.	Description
GRDHL 30 F	Cover retaining lug for cover wire mesh tray, steel, hot dip galvanised DIN EN ISO 1461
GTD 200 F	Cover for wire mesh tray, 200x3000 mm, steel, HDGAF, acc. DIN EN ISO 1461
MTCC 200/7.5° F	Cover for MTC wire mesh tray, 213x3000 mm, 7,5° tilt angle, steel, hot dip galvanised DIN EN ISO 1461

Barrier strip

Model No.	Description
GRTB 6 F	Barrier strip fastening clamp, steel, hot dip galvanised DIN EN ISO 1461
GRVC 14 F	Barrier strip fastening clamp, steel, hot dip galvanised DIN EN ISO 1461, incl. accessories
RW 50 F	Barrier strip, 47x3000 mm, t=0,75 mm, steel, hot dip galvanised DIN EN ISO 1461, incl. accessories
RW 60 F	Barrier strip, 55x3000 mm, t=0,75 mm, steel, hot dip galvanised DIN EN ISO 1461, incl. accessories