

## Wire Mesh Tray

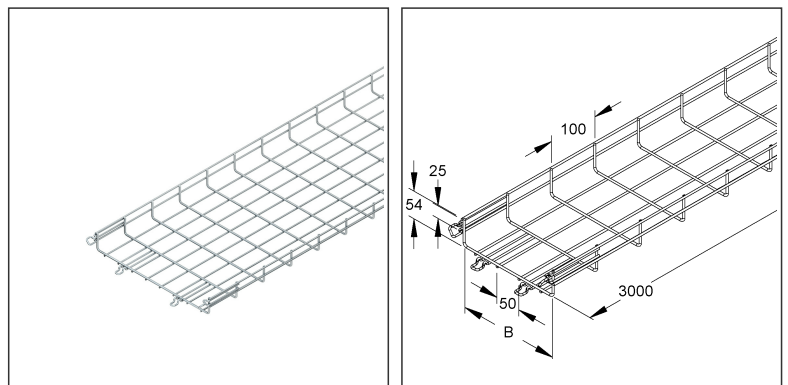
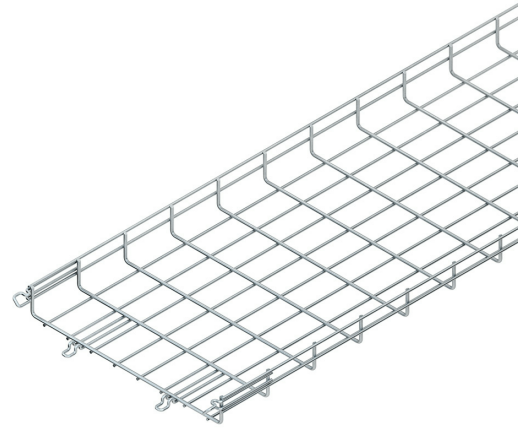
U-shaped, spot-welded from steel wires, with welded connector

MTC 54.400 F <sup>NX</sup>CITO<sub>LINE</sub>

EAN Code: 4013339712120

Smallest packaging unit: 3 m

quantity unit: m M



### Article Description

Wire mesh tray, U-shaped, w. welded connector, 54x400x3000 mm, CITO, steel, hot dip galvanised DIN EN ISO 1461

### Additional Price Information

Article group	N13
quantity unit	m

### Weight

Weight per quantity unit	3,120 kg / m
Weight in kg per 100	312 kg / 100m

### Physical Article Dimensions

Height	61.62 mm
Width	423 mm
Depth/length	3033 mm

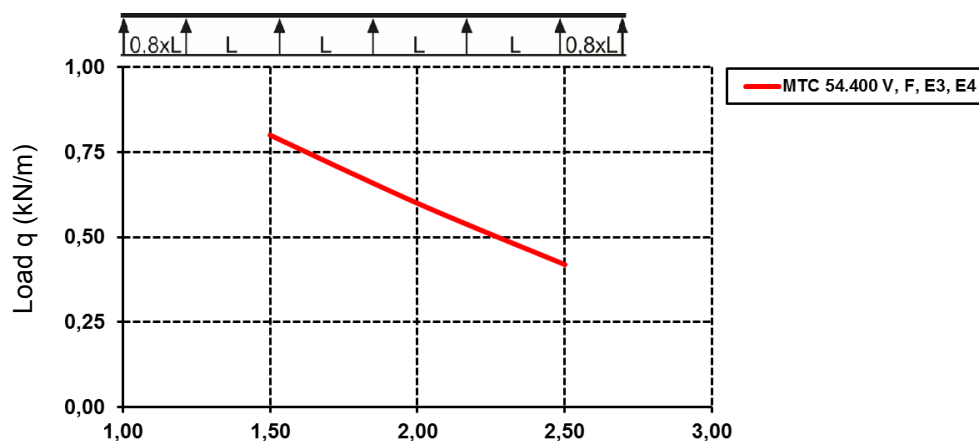
# Technical Datasheet

## Wire Mesh Tray System

MTC 54.400 F <sup>NX</sup>CITO<sub>LINE</sub>

### Load Specifications

Load diagram:  $q$  = evenly distributed cable load (tested acc. to DIN EN IEC 61537)



Mounting distance (m)

The load details shown in the diagram are independent of the position of the connectors.

### Packing Dimension

**3 meters = 1 piece**

✓ VP1-smallest packaging unit ( PU)

Lenght	3033 mm	Width	424 mm	Height	62.00 mm
Gross weight	9,36 kg	Volume	0,079 m <sup>3</sup>		
Min. quantity	3.00 m	Max. Quantity	3.00 m		

**6 meters = 1 bundle**

Lenght	3033 mm	Width	429 mm	Height	67.00 mm
Gross weight	19 kg	Volume	0,087 m <sup>3</sup>		
Min. Quantity	6.00 m	Max. Quantity	6.00 m		

**180 meters = 1 rack**

Lenght	3033 mm	Width	1162 mm	Height	1120 mm
Gross weight	659 kg	Volume	3,947 m <sup>3</sup>		
Min. Quantity	180.00 m	Max. Quantity	180.00 m		

### Tender Text

Wire mesh tray according to DIN EN 61537, U-shaped, made of steel wires, spot-welded, for quick fixing with welded splice plates in the sides and bottom. VDE certified! For use in functional integrity maintenance, please observe additional regulations!

Dimensions (approx. dimensions) Nominal dimension H x W (inside) : 54 x 400 mm

Longitudinal wire  $\varnothing$  : 4.82 mm

Bottom longitudinal wire spacing : 50 mm

Transverse wire  $\varnothing$  : 5.82 mm

Transverse wire spacing : 100 mm

Delivery length L : 3000 mm

Usable cross-section : 20350 mm<sup>2</sup>

Material : Steel, hot-dip galvanised according to DIN EN ISO 1461

NIEDAX Model no. : MTC 54.400 F

EP Material \_\_\_\_\_ EP Wage \_\_\_\_\_

# Technical Datasheet

## Wire Mesh Tray System

MTC 54.400 F <sup>NX</sup>CITO<sub>LINE</sub>

### Tender Text

Unit price/metre

### Safety & Environment

REACH Date	17.01.2023
REACH Info	Conformable
RoHS Info	Conformable

### Origin & International Trade

Country of origin	FR
Customs tariff number	73089098

### Related items

#### Cover

Model No.	Description
GRDHL 30 F	Cover retaining lug for cover wire mesh tray, steel, hot dip galvanised DIN EN ISO 1461
GTD 400 F	Cover for wire mesh tray, 400x3000 mm, steel, HDGAF, acc. DIN EN ISO 1461
MTCC 400/7.5° F	Cover for MTC wire mesh tray, 415,7x3000 mm, 7,5° tilt angle, steel, hot dip galvanised DIN EN ISO 1461

#### Barrier strip

Model No.	Description
GRTB 6 F	Barrier strip fastening clamp, steel, hot dip galvanised DIN EN ISO 1461
GRVC 14 F	Barrier strip fastening clamp, steel, hot dip galvanised DIN EN ISO 1461, incl. accessories
RW 50 F	Barrier strip, 47x3000 mm, t=0,75 mm, steel, hot dip galvanised DIN EN ISO 1461, incl. accessories
RW 60 F	Barrier strip, 55x3000 mm, t=0,75 mm, steel, hot dip galvanised DIN EN ISO 1461, incl. accessories