

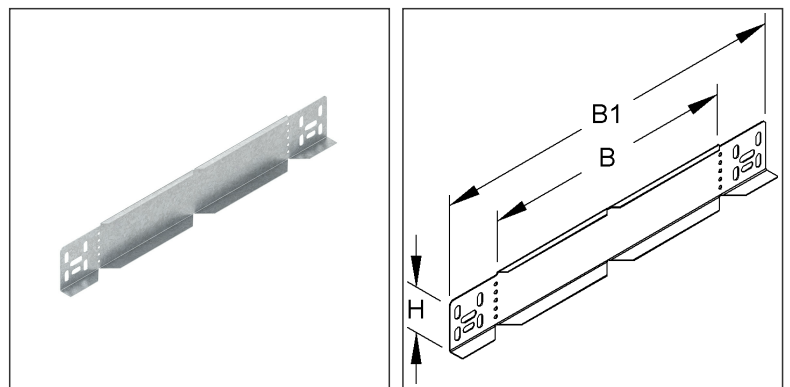
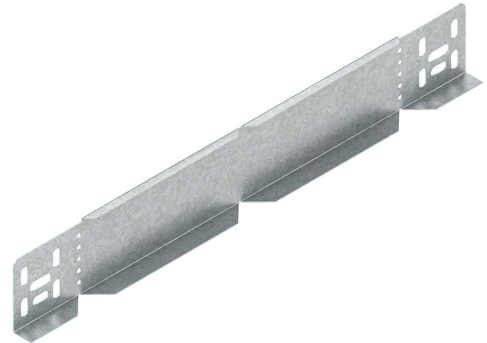
### Reducing-/End-/Angle Piece

RAW 60.100 F

EAN Code: 4013339540730

Smallest packaging unit: 1 pc.

the photorealistic images are to be considered as reference images



#### Article Description

Reducing-/end-/angle piece for cable tray, 60x100 mm, steel, hot dip galvanised DIN EN ISO 1461, incl. accessories

#### Incl. accessories

1 piece = 1 piece  lowest delivery unit  preferred delivery unit

Model No.	Description	quantity
FLM 6X12 F	Mushroom-head bolt M6, similar DIN 603, length 12 mm, steel, hot dip galvanised DIN EN ISO 1461	4 pcs.

#### Additional Price Information

Article group	N13
quantity unit	pcs.

#### Weight

Weight per quantity unit	148 g / pcs.
Weight in kg per 100	15 kg / 100pcs.

# Technical Datasheet

## Cable Tray System

RAW 60.100 F

the photorealistic images are to be considered as reference images

### Physical Article Dimensions

Height	62.00 mm
Width	17.00 mm
Depth/length	222 mm

### Packing Dimension

<b>1 piece = 1 piece</b>		✓ VP1-smallest packaging unit ( PU)	✓ VP1-preferred PU		
Lenght	222 mm	Width	17.00 mm	Height	62.00 mm
Gross weight	0,15 kg	Volume	0,000 m <sup>3</sup>		
Min. quantity	1.00 pcs.	Max. Quantity	1.00 pcs.		

### Tender Text

Reducing-/end-/angle piece, for terminating cable tray ends as well as for reducing and extending continuous cable trays and for creating horizontal directional changes, including proportional fastening accessories in hot-dip galvanised.

VDE certified! Please observe additional regulations for use in functional maintenance!

Used for : Cable trays 60 mm edge height

Dimensions (approx. dimensions)

H x W (inside) : 60 x 100 mm

Reduction dimension W : 100 mm

Total width B1 : 222 mm

Material : Steel, hot-dip galvanised to DIN EN ISO 1461

NIEDAX Model No. : RAW 60.100 F

EP Material \_\_\_\_\_ EP Wage \_\_\_\_\_

Unit price/piece

### Safety & Environment

REACH Date	17.01.2023
REACH Info	Conformable
RoHS Info	Conformable

### Origin & International Trade

Country of origin	DE
Federal State of Origin	RP
Customs tariff number	73089059