

Elbow 90°

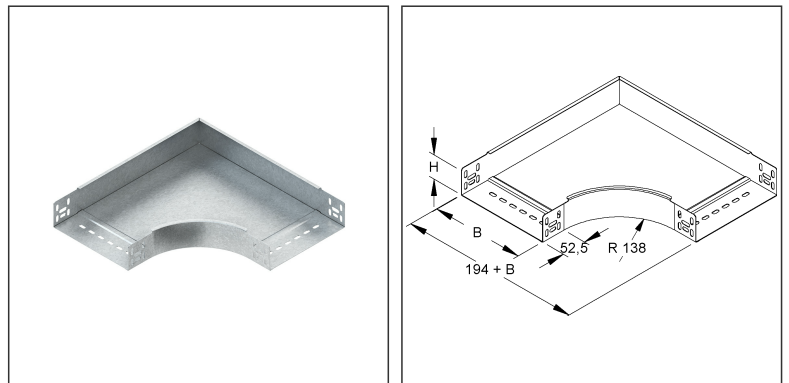
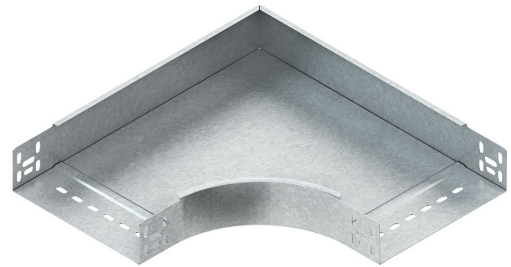
with unperforated side profiles, but with connector perforations, with integrated splice plates

RES 60.200 F

EAN Code: 4013339535903

Smallest packaging unit: 1 pc.

the photorealistic images are to be considered as reference images



Article Description

Elbow 90° for cable tray, 60x202 mm, with unperforated side beams, steel, hot dip galvanised DIN EN ISO 1461, incl. accessories

Incl. accessories

1 piece = 1 piece		✓ lowest delivery unit	- preferred delivery unit
Model No.	Description	quantity	
FLM 6X12 F	Mushroom-head bolt M6, similar DIN 603, length 12 mm, steel, hot dip galvanised DIN EN ISO 1461	5 pcs.	
100 piece = 1		- lowest delivery unit	- preferred delivery unit
Model No.	Description	quantity	
FLM 6X12 F	Mushroom-head bolt M6, similar DIN 603, length 12 mm, steel, hot dip galvanised DIN EN ISO 1461	500 pcs.	

Technical Datasheet

Cable Tray System

RES 60.200 F

the photorealistic images are to be considered as reference images

Additional Price Information

Article group	N13
quantity unit	pcs.

Weight

Weight per quantity unit	1,766 kg/ pcs.
Weight in kg per 100	177 kg/ 100pcs.

Physical Article Dimensions

Height	62.00 mm
Width	394 mm
Depth/length	394 mm

Packing Dimension

1 piece = 1 piece		✓ VP1-smallest packaging unit (PU)			
Lenght	394 mm	Width	394 mm	Height	62.00 mm
Gross weight	1,77 kg	Volume	0,010 m³		
Min. quantity	1.00 pcs.	Max. Quantity	1.00 pcs.		

100 pieces = 1					
Lenght	1230 mm	Width	840 mm	Height	970 mm
Gross weight	247 kg	Volume	1,002 m³		
Min. Quantity	100.00 pcs.	Max. Quantity	100.00 pcs.		

Tender Text

Elbow 90°, with non-perforated side beams, with connector perforation for connection, for cable trays, for creating horizontal 90° corner joints, with integrated splice plate, including proportional fastening accessories in hot-dip galvanised.

VDE certified! Please observe additional regulations for use in functional maintenance!

for cable trays : 60 mm edge height Dimensions (approx. dimensions) inside H x W : 60 x 202 mm inner beam radius R : 138 mm

Material : steel, hot-dip galvanised acc. to DIN EN ISO 1461

NIEDAX Model No. : RES 60.200 F

EP Material_____ EP Wage_____

Unit price/piece

Safety & Environment

REACH Date	17.01.2023
REACH Info	Conformable
RoHS Info	Conformable

Technical Datasheet

Cable Tray System

RES 60.200 F

the photorealistic images are to be considered as reference images

Origin & International Trade

Country of origin	DE
Federal State of Origin	RP
Customs tariff number	73089059

Related items

Cover

Model No.	Description
RDHK 60 E2	Cover retaining clamp, height 58 mm, stainless steel, material code: 1.4310
RDRS 2 E3	Turning bolt simply with locking nut acc. to DIN EN ISO 10511, stainless steel, material code: 1.4301, AISI 304, incl. accessories
RESD 200 F	Cover for elbow 90° for cable tray, width 204 mm, steel, hot dip galvanised DIN EN ISO 1461
RESDV 200 F	Cover for elbow 90° for cable tray, width 204 mm, with turning lock, steel, hot dip galvanised DIN EN ISO 1461