

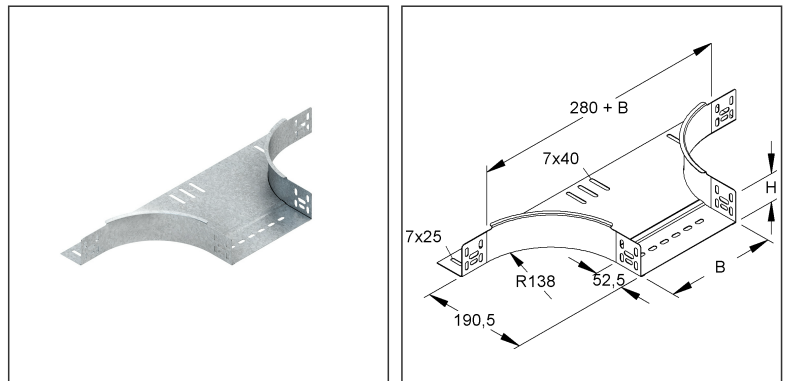
Extension T-Piece

with unperforated side profiles, but with connector perforations, with integrated splice plates

RTA 60.400 F

EAN Code: 4013339536702
Smallest packaging unit: 1 pc.

the photorealistic images are to be considered as reference images



Article Description

Extension T-piece for KR 60x402 mm, with unperforated side beams, steel, hot dip galvanised DIN EN ISO 1461, incl. accessories

Incl. accessories

1 piece = 1 piece		✓ lowest delivery unit	- preferred delivery unit
Model No.	Description	quantity	
FLM 6X12 F	Mushroom-head bolt M6, similar DIN 603, length 12 mm, steel, hot dip galvanised DIN EN ISO 1461	10 pcs.	
80 piece = 1		- lowest delivery unit	- preferred delivery unit
Model No.	Description	quantity	
FLM 6X12 F	Mushroom-head bolt M6, similar DIN 603, length 12 mm, steel, hot dip galvanised DIN EN ISO 1461	800 pcs.	

Technical Datasheet

Cable Tray System

RTA 60.400 F

the photorealistic images are to be considered as reference images

Additional Price Information

Article group	N13
quantity unit	pcs.

Weight

Weight per quantity unit	1,412 kg/ pcs.
Weight in kg per 100	141 kg/ 100pcs.

Physical Article Dimensions

Height	62.00 mm
Width	242 mm
Depth/length	788 mm

Packing Dimension

1 piece = 1 piece		✓ VP1-smallest packaging unit (PU)			
Lenght	788 mm	Width	243 mm	Height	62.00 mm
Gross weight	1,41 kg	Volume	0,012 m ³		
Min. quantity	1.00 pcs.	Max. Quantity	1.00 pcs.		

80 pieces = 1					
Lenght	1230 mm	Width	840 mm	Height	970 mm
Gross weight	183 kg	Volume	1,002 m ³		
Min. Quantity	80.00 pcs.	Max. Quantity	80.00 pcs.		

Tender Text

Extension T-piece, with unperforated side beams, with connector perforation for the connection, for cable trays, for creating horizontal 90° T-junctions and crossings of different or the same width, with integrated splice plates, including proportional fastening accessories in hot-dip galvanised. Please observe additional regulations for use in functional maintenance!
for cable trays : 60 mm edge height Dimensions (approx. dimensions) inside H x W : 60 x 402 mm inner beam radius R : 138 mm notching of cable trays : 280 mm + W
Material : steel, hot-dip galvanised acc. to DIN EN ISO 1461
NIEDAX Model No. : RTA 60.400 F
EP Material_____ EP Wage_____
Unit price/piece

Safety & Environment

REACH Date	17.01.2023
REACH Info	Conformable
RoHS Info	Conformable

Origin & International Trade

Country of origin	DE
Customs tariff number	73089059

Technical Datasheet

Cable Tray System

RTA 60.400 F

the photorealistic images are to be considered as reference images

Related items

Cover

Model No.	Description
RDHK 60 E2	Cover retaining clamp, height 58 mm, stainless steel, material code: 1.4310
RDRS 2 E3	Turning bolt simply with locking nut acc. to DIN EN ISO 10511, stainless steel, material code: 1.4301, AISI 304, incl. accessories
RTAD 400 F	Cover for extension T-piece for KR, width 404 mm, steel, hot dip galvanised DIN EN ISO 1461
RTADV 400 F	Cover for extension T-piece for KR, width 404 mm, with turning bolt, steel, hot dip galvanised DIN EN ISO 1461