

PROFILE METALICE pentru TABLOURI ELECTRICE

Prezentare generala

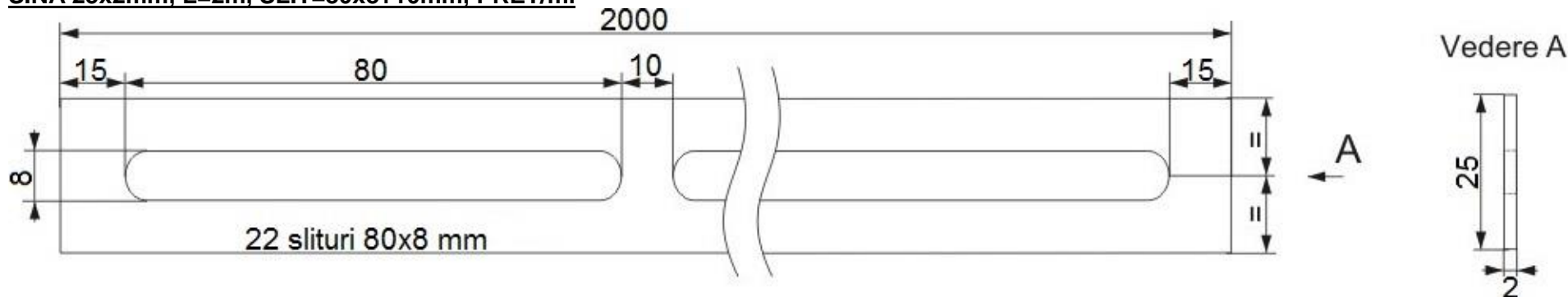
- Sunt utilizate la realizare de stelaje metalice in tablouri electrice

Prezentare produse:

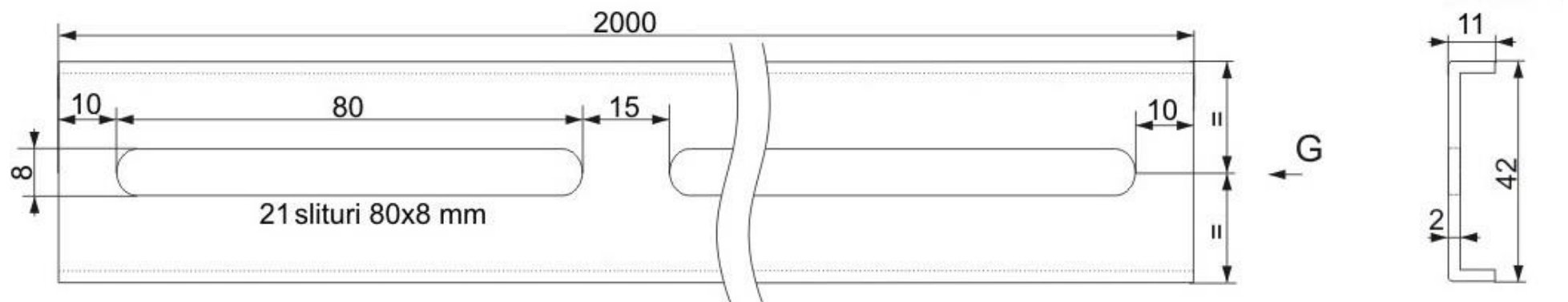
Nr. crt.	Cod produs	Denumire	Material	Masa [kg/bara]
1	MF0010-04020	SINA 25x2mm, L=2m, SLIT=80x8+10mm, PRET/ml	otel pregalvanizat	0.541
2	MF0010-04030	PROFIL-U, 38x9x2mm, L=2m, SLIT=80x8+10mm, PRET/ml	otel pregalvanizat	1.530
3	MF0010-04040	PROFIL-U, 25x8x2mm, L=2m, SLIT=80x8+10mm, PRET/ml	otel pregalvanizat	1.051
4	MF0010-04045	STALP "U" 22x60x28mm PT.MODULE TPK L=2m	otel pregalvanizat	-
5	MF0010-04050	PROFIL-L, 35x35x3mm, L=2m, SLIT=80x8+15mm, PRET/ml	otel pregalvanizat	2.768
6	MF0010-04058	PROFIL-L, 25x25x2mm, L=2m, SLITx2=80x7+10mm, PRET/ml	otel pregalvanizat	0.988
7	MF0010-04065	PROFIL-L SLITx2=37x8+15mm, L=2m, 25x25x2mm, PRET/ ml	otel galvanizat la cald	-
8	MF0010-04070	PROFIL "Z"SLIT. L=2m 25x25x25x2 PRET/ML	otel pregalvanizat	-
9	MF0010-04080	PROFIL "Z"SLIT. L=2m 25x60x25x2 PRET/ML	otel pregalvanizat	-
10	MF0010-04090	PROFIL "Z"SLIT. L=2m 25x120x25x2 PRET/ML	otel pregalvanizat	-

Cote de gabarit:

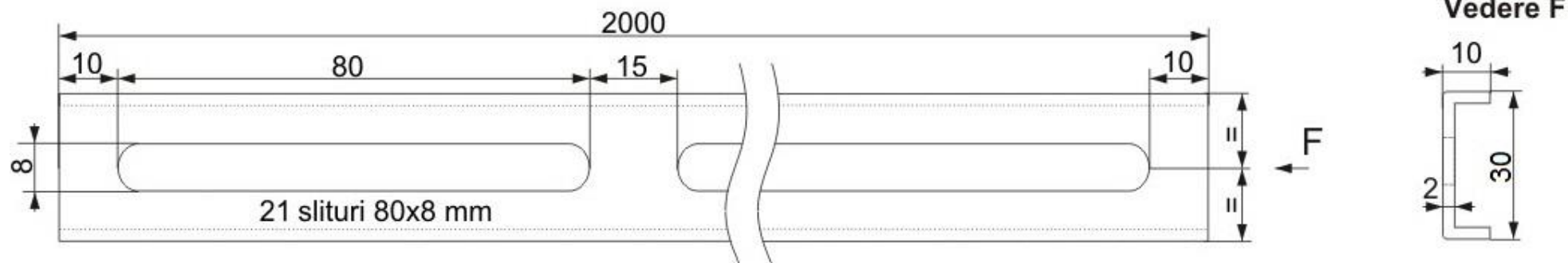
SINA 25x2mm, L=2m, SLIT=80x8+10mm, PRET/ml



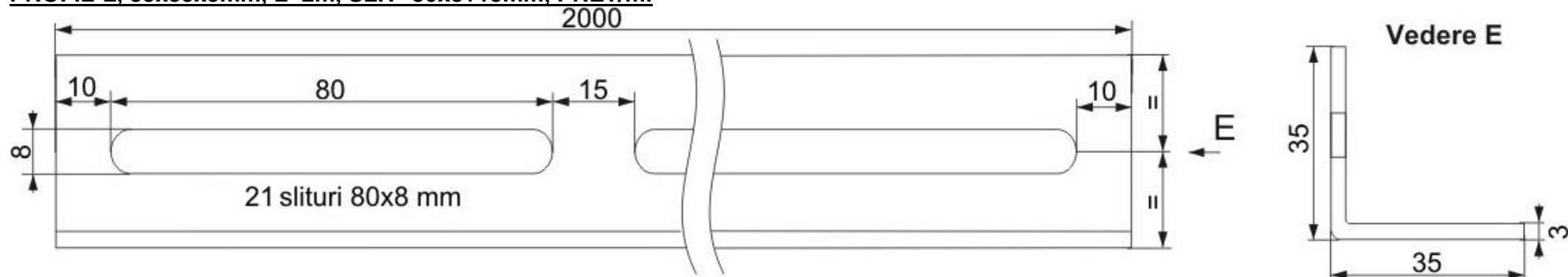
PROFIL-U, 38x9x2mm, L=2m, SLIT=80x8+10mm, PRET/ml



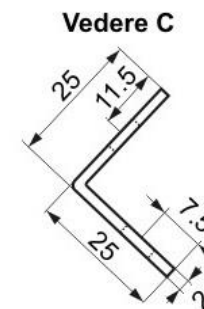
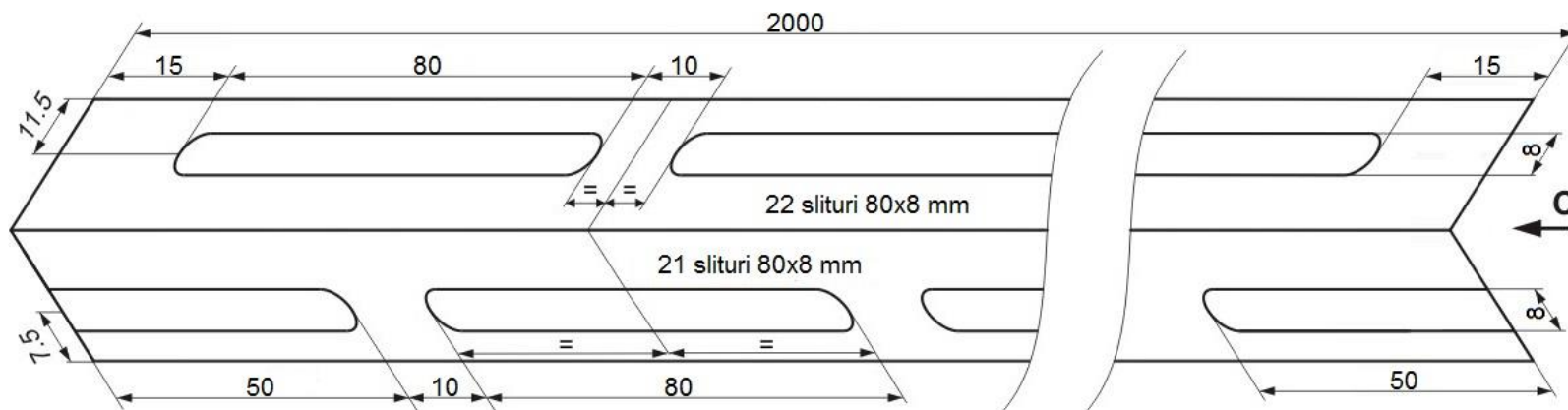
PROFIL-U, 25x8x2mm, L=2m, SLIT=80x8+10mm, PRET/ml



PROFIL-L, 35x35x3mm, L=2m, SLIT=80x8+15mm, PRET/ml



PROFIL-L, 25x25x2mm, L=2m, SLITx2=80x7+10mm, PRET/ml



Toate cotele au toleranta ± 0.2 mm.