

■ Main branch terminal 25 mm²



■ SCHRACK-INFO

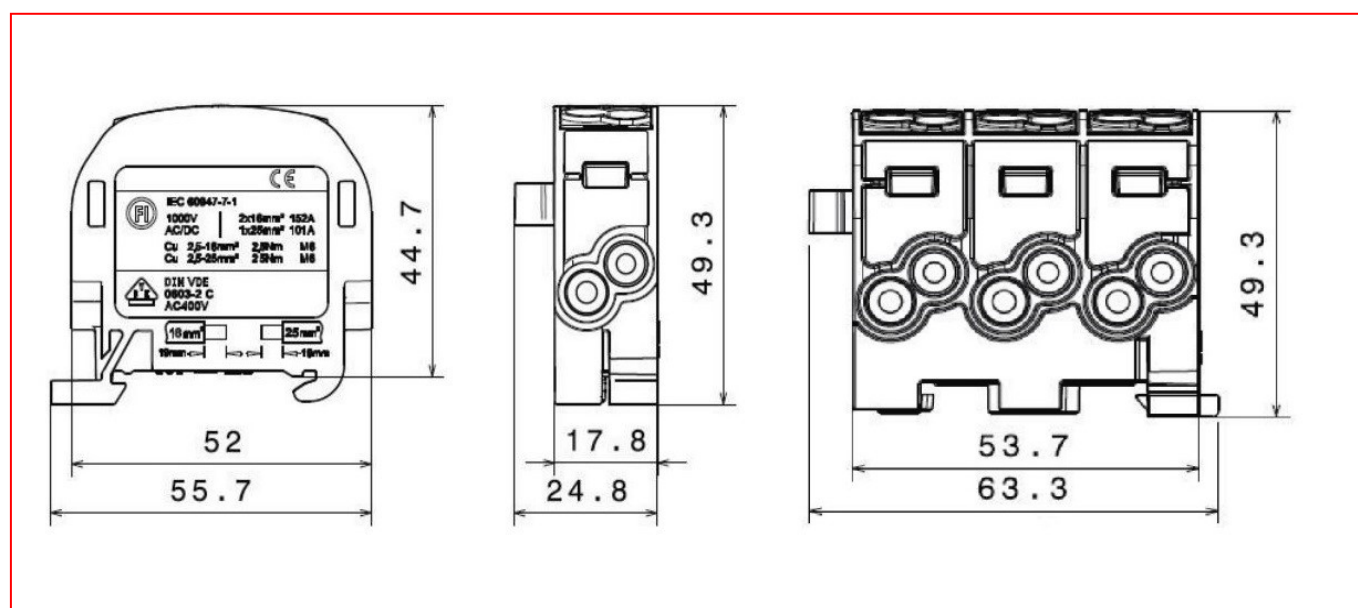
- Suitable for copper conductors
- All side protection against direct contact
- Stackable

■ Technical data

Regulations:	According to IEC 60947-7-1, IEC 61238-1 (Class A)		
Nominal voltage:	1.000 V AC / 1.000 V DC		
Current rating:	Cu	152 A (2x16mm ²) according IEC 60947-7-1	
		101 A (1x25mm ²) according IEC 60947-7-1	
		checked with SGS Fimko Ltd	
Cross sections:	round conductors	solid and stranded	stranded wire with ferrule
	2 x 25mm ²	2,5 – 25 mm ²	1,5 – 16 mm ²
	Stripping length	19 mm	
	Cross recessed screw	M6 /PZ2	
	Tightening torque	2,5 Nm	
	2 x 16 mm ²	2,5 – 25 mm ²	1,5 – 10 mm ²
	Stripping length	19 mm	
	Cross recessed screw	M6 /PZ2	
	Tightening torque	2,5 Nm	

Materials:	Terminal Body:	Brass (CuZn39Pb2)
	Housing:	PA 6 (Halogen Free)
	Screws:	steel, zinc thick film passivated
Flame resistance:	self extinguishing	
Mechanical Data:	Dimensions (WxHxD):	1 pole: 24,8mm x 49,3mm x 55,7mm 3 pole: 63,3mm x 49,3mm x 55,7mm

■ Dimensions



■ Articles

Description	Order No.
Main branch terminal , 25mm ² , 1p. isolated, grey	IK026110--
Main branch terminal , 25mm ² , 1p. isolated, blue	IK026120--
Main branch terminal , 25mm ² , 3p. isolated, PE	IK026130--
Main branch terminal , 25mm ² , 1p. isolated, brown	IK026140--
Main branch terminal , 25mm ² , 1p. isolated, black	IK026150--
Main branch terminal , 25mm ² , 3p. isolated	IK026183--