

Product data sheet

Specifications



Connected socket outlet, New Unica, Wisier, 16 A, French, white

NU555918

Main

Range	New Unica
Product or component type	Connected socket-outlet
Concentrator compatibility	Wisier hub generation 2
Mobile App name	Wisier Home
Device presentation	Mechanism with zamak fixing frame
Device mounting	Flush
Socket number	1
Outlet poles configuration	2P + E
Outlet standard	French
Outlet standard description	Pin earth
Rated current	16 A

Complementary

Device application	Power supply
Cover type	With shutter
[Ue] rated operational voltage	250 V
Network type	AC
Network frequency	50/60 Hz
Number of modules	2 modules
Communication network type	Wireless Zigbee (2.4 GHz), 2.5 mW at < 50 m
Fixing mode	4 fixing points
Colour tint	White (RAL 9003)
Connections - terminals	Screwless terminals
Cable cross section	0...2.5 mm ² cable(s), 2 - cable stiffness: flexible 0...2.5 mm ² cable(s), 2 - cable stiffness: rigid
Minimum load breaking capacity	100 operations 1.25 I _n and 1.1 U _n , cos phi = 0.6
Electrical durability	10000 cycles, cos phi = 0.8
Insulation resistance	> 5 MOhm at 500 V
Dielectric strength	2000 V
Material	PC: mechanism cover

Zamak: fixing frame
PC (polycarbonate) GF10 FR: casing

Surface finish	Glossy
Quantity per set	Set of 1 box
Standards	IEC 60884-1 NF C 61-314
Product certifications	NF
Embedding depth	30.5 mm
Depth	40 mm
Width	74.5 mm
Height	74.5 mm
Net weight	0.0739 kg
Surface treatment	Untreated
Resistance to chemical agents	Resistant to alcohol (70 %) Resistant to alcohol (96 %) Resistant to A-Lactic Acid Resistant to diluted quaternary ammonium Resistant to diluted bleach Resistant to diluted ammonia Resistant to soapy water Resistant to crystal cleaner Resistant to hydrogen peroxide 10 volumes Resistant to hexane

Environment

Ambient air temperature for operation	-5...35 °C
Ambient air temperature for storage	-5...50 °C
IK degree of protection	IK05
IP degree of protection	IP20
Environmental characteristic	Acetone UV resistant Petrol Oil Window-cleaning fluid Liquid soap

Packing Units

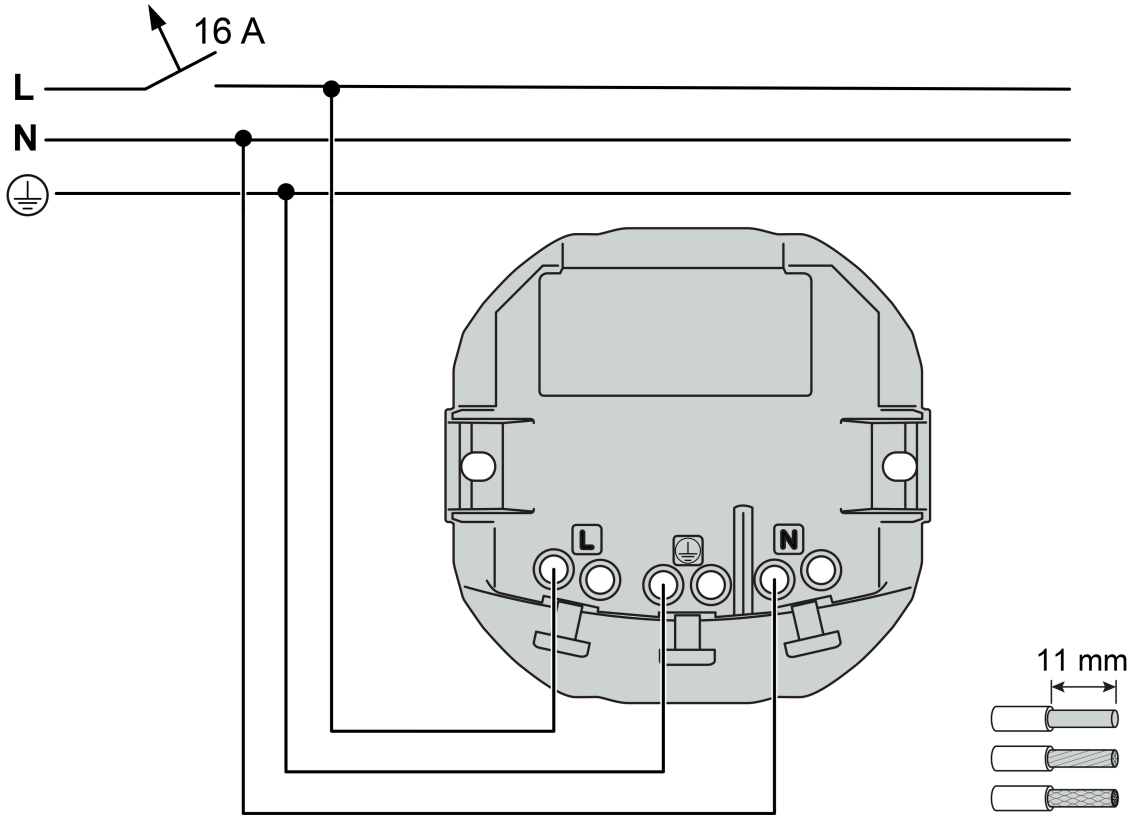
Unit Type of Package 1	PCE
Number of Units in Package 1	1
Package 1 Height	8.3 cm
Package 1 Width	9.8 cm
Package 1 Length	9.8 cm
Package 1 Weight	169.0 g
Unit Type of Package 2	S03
Number of Units in Package 2	36
Package 2 Height	30.0 cm
Package 2 Width	30.0 cm
Package 2 Length	40.0 cm
Package 2 Weight	6.586 kg

Offer Sustainability

Sustainable offer status	Green Premium product
--------------------------	-----------------------

REACH Regulation	REACH Declaration
EU RoHS Directive	Compliant with Exemptions
Mercury free	Yes
China RoHS Regulation	China RoHS declaration Product out of China RoHS scope. Substance declaration for your information
RoHS exemption information	Yes
Environmental Disclosure	Product Environmental Profile
Circularity Profile	End of Life Information
Halogen content performance	Halogen free plastic parts product

Wiring Diagram



⚠ ⚠ DANGER

HAZARD OF ELECTRIC SHOCK, EXPLOSION, OR ARC FLASH

The product must be installed and connected by a qualified electrician.
A qualified electrician must demonstrate an in-depth knowledge of:

- Construction of electrical installations in buildings in accordance with IEC 60364
- Additional safety standards, local connection rules, and building regulations
- Standardized tools and measuring equipment

Failure to follow these instructions will result in death or serious injury.

Recommended replacement(s)