

Product data sheet

Specifications



Connected switch, New Unica, Wisier, 1-pole 1-way, 10A, 2 modules, screw terminal, IP4X, white

NU353818

Main

Range of product	New Unica
Product or component type	Connected switch
Device presentation	Mechanism
Technology type	Electronic
Concentrator compatibility	Wiser hub generation 1
Mobile App name	Wiser by SE
Switch function	1-pole 1-way
Number of rocker	1
Provided equipment	User manual
Colour tint	White (RAL 9003)
Type of packing	Carton

Complementary

Communication network type	Wireless Zigbee (2.4 GHz), 2.5 mW at < 50 m
Rated current	10 A
Actuator	Rocker
Number of modules	2 modules
Connections - terminals	Screw terminal
Material	PC (polycarbonate) GF10 FR: casing Metal: terminals Thermoplastic ABS-UV stabilised: central plate
Surface finish	Glossy
Specific treatment - integrated within the material	Untreated
Device mounting	Flush
Fixing mode	By screws
Width	74.5 mm
Height	74.5 mm
Depth	41 mm
Embedding depth	29 mm

Net weight	0.082 kg
Ambient air temperature for operation	5...35 °C
Ambient air temperature for storage	-10...50 °C
Product certifications	VDE CE EAC NEMKO FIMKO NF SEMKO
Resistance to chemical agents	Resistant to alcohol (70 %) Resistant to alcohol (96 %) Resistant to A-Lactic Acid Resistant to diluted quaternary ammonium Resistant to diluted bleach Resistant to diluted ammonia Resistant to soapy water Resistant to crystal cleaner Resistant to hydrogen peroxide 10 volumes Resistant to hexane

Environment

IP degree of protection	IP4X
IK degree of protection	IK04
Environmental characteristic	Alcohol Window-cleaning fluid Acetone Petrol UV resistant Oil Bleach Liquid soap

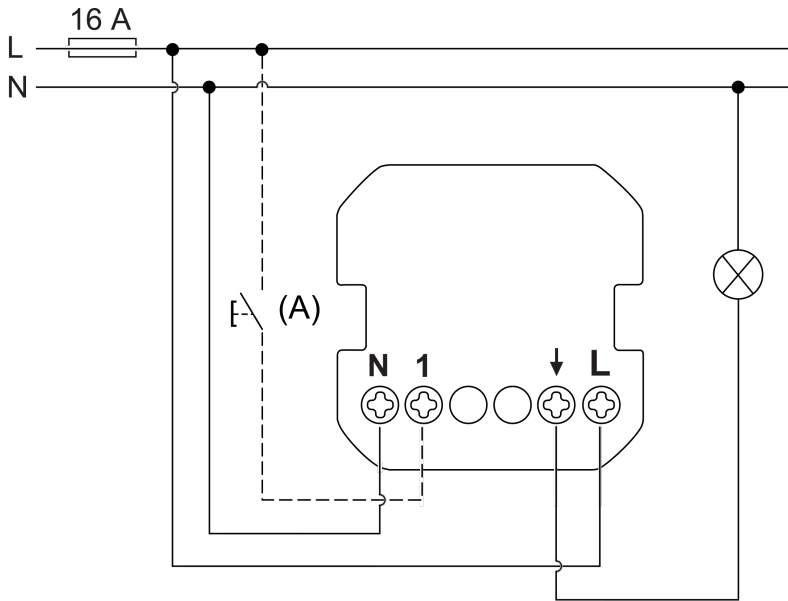
Packing Units

Unit Type of Package 1	PCE
Number of Units in Package 1	1
Package 1 Height	8.000 cm
Package 1 Width	9.500 cm
Package 1 Length	9.500 cm
Package 1 Weight	127.000 g
Unit Type of Package 2	S02
Number of Units in Package 2	9
Package 2 Height	15.000 cm
Package 2 Width	30.000 cm
Package 2 Length	40.000 cm
Package 2 Weight	1.415 kg
Unit Type of Package 3	P06
Number of Units in Package 3	144
Package 3 Height	77.000 cm
Package 3 Width	60.000 cm
Package 3 Length	80.000 cm
Package 3 Weight	26.000 kg

Offer Sustainability

Sustainable offer status	Green Premium product
REACH Regulation	REACH Declaration
EU RoHS Directive	Compliant with Exemptions
Mercury free	Yes
China RoHS Regulation	China RoHS declaration Product out of China RoHS scope. Substance declaration for your information
RoHS exemption information	Yes
Environmental Disclosure	Product Environmental Profile
Circularity Profile	End of Life Information

Wiring Diagram



(A) Mechanical push-button (optional)

⚡ ⚠ DANGER

HAZARD OF ELECTRIC SHOCK, EXPLOSION OR ARC FLASH

The product must be installed and connected by a qualified electrician.
A qualified electrician must demonstrate an in-depth knowledge of:

- Construction of electrical installations in buildings in accordance with IEC 60364
- Additional safety standards, local connection rules, and building regulations
- Standardized tools and measuring equipment

Failure to follow these instructions will result in death or serious injury.

Recommended replacement(s)