

Product data sheet

Specifications



New Unica - telephone socket - 1 x RJ12 - 2 m - aluminium

NU349730

Main

Range	New Unica
Product or component type	Telephone socket
Device application	Communication
Device presentation	Mechanism
Colour tint	Aluminium
Telephone socket type	RJ12 (6 contacts) - category 3 at 16 Mbit/s

Complementary

Socket number	1
Number of modules	2 modules
Connections - terminals	Screw terminals twisted pair
Device mounting	Flush
Fixing mode	Clip-in
Material	Thermoplastic ABS-UV stabilised: central plate
Depth	34 mm
Width	45 mm
Height	45 mm
Embedding depth	34 mm
Ambient air temperature for operation	-25...55 °C
Ambient air temperature for storage	-25...55 °C
Resistance to chemical agents	Resistant to alcohol (70 %) Resistant to alcohol (96 %) Resistant to A-Lactic Acid Resistant to diluted quaternary ammonium Resistant to diluted bleach Resistant to diluted ammonia Resistant to soapy water Resistant to crystal cleaner Resistant to hydrogen peroxide 10 volumes Resistant to hexane

Environment

IP degree of protection	IP20
-------------------------	------

IK degree of protection	IK01
-------------------------	------

Packing Units

Unit Type of Package 1	PCE
------------------------	-----

Number of Units in Package 1	1
------------------------------	---

Package 1 Height	3.4 cm
------------------	--------

Package 1 Width	4.5 cm
-----------------	--------

Package 1 Length	4.5 cm
------------------	--------

Package 1 Weight	16 g
------------------	------

Unit Type of Package 2	BB1
------------------------	-----

Number of Units in Package 2	10
------------------------------	----

Package 2 Height	5.5 cm
------------------	--------

Package 2 Width	14 cm
-----------------	-------

Package 2 Length	26 cm
------------------	-------

Package 2 Weight	160 g
------------------	-------

Unit Type of Package 3	S03
------------------------	-----

Number of Units in Package 3	100
------------------------------	-----

Package 3 Height	30 cm
------------------	-------

Package 3 Width	30 cm
-----------------	-------

Package 3 Length	40 cm
------------------	-------

Package 3 Weight	2.038 kg
------------------	----------

Offer Sustainability

Sustainable offer status	Green Premium product
--------------------------	-----------------------

REACH Regulation	REACH Declaration
------------------	-----------------------------------

REACH free of SVHC	Yes
--------------------	-----

EU RoHS Directive	Compliant EU RoHS Declaration
-------------------	--

Toxic heavy metal free	Yes
------------------------	-----

Mercury free	Yes
--------------	-----

China RoHS Regulation	China RoHS declaration Pro-active China RoHS declaration (out of China RoHS legal scope)
-----------------------	---

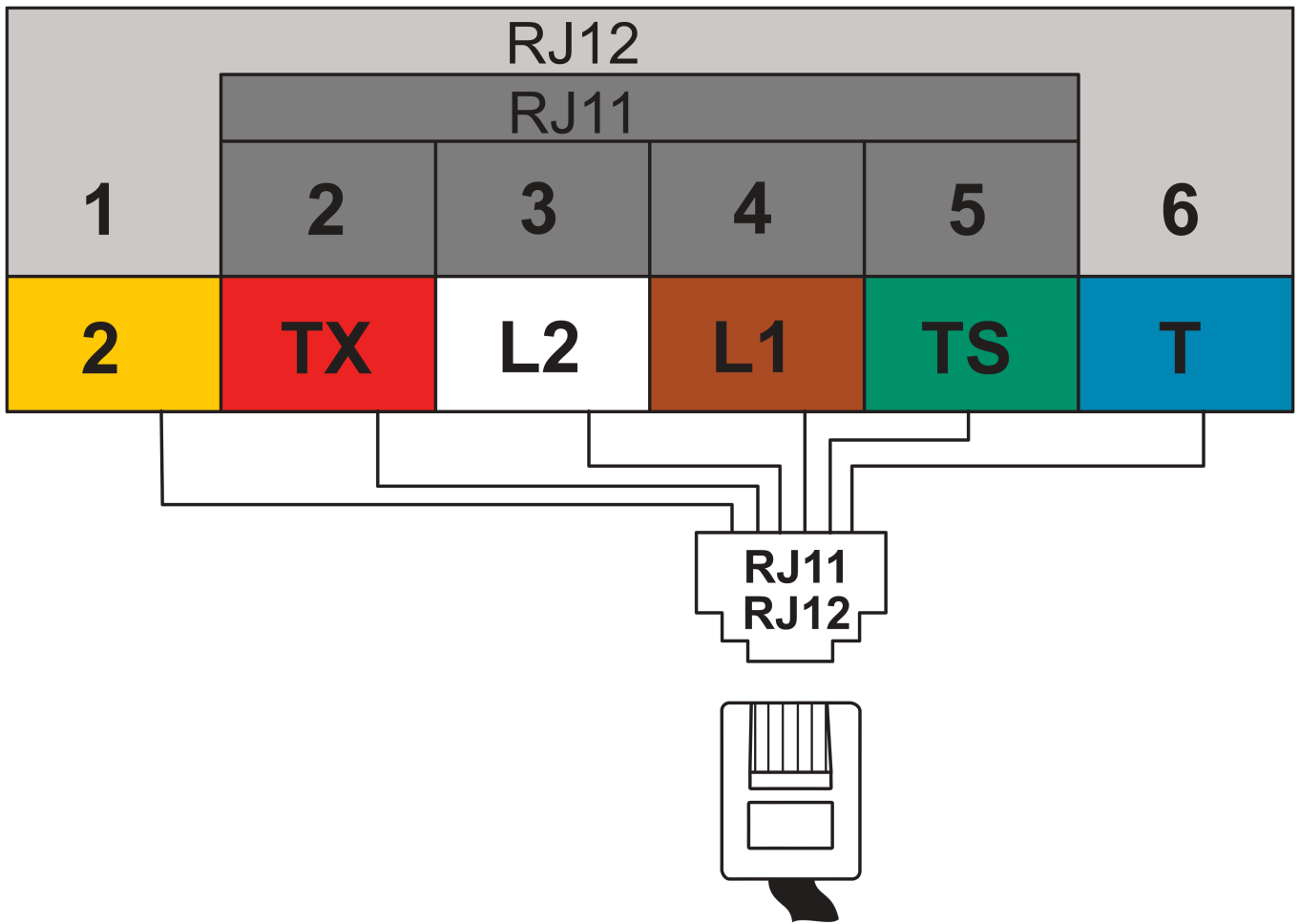
RoHS exemption information	Yes
----------------------------	---------------------

Environmental Disclosure	Product Environmental Profile
--------------------------	---

Circularity Profile	No need of specific recycling operations
---------------------	--

WEEE	The product must be disposed on European Union markets following specific waste collection and never end up in rubbish bins
------	---

Wiring Diagram



Recommended replacement(s)