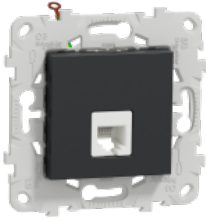


Product data sheet

Specifications



New Unica - telephone socket - 1 x RJ12 - 2 m - with fixing frame - anthracite

NU549754D

Main

Range	New Unica
Product or component type	Telephone socket
Device application	Communication
Device presentation	Mechanism with fixing frame
Colour tint	Anthracite (RAL 7021)
Telephone socket type	RJ12 (6 contacts) - category 3 at 16 Mbit/s

Complementary

Socket number	1
Number of modules	2 modules
Provided equipment	Fixing frame
Connections - terminals	Screw terminals twisted pair
Device mounting	Flush
Fixing mode	Screws
Material	Zamak: fixing frame Thermoplastic ABS-UV stabilised: central plate
Depth	34 mm
Width	74.5 mm
Height	74.5 mm
Embedding depth	25 mm
Ambient air temperature for operation	-25...55 °C
Ambient air temperature for storage	-25...55 °C
Resistance to chemical agents	Resistant to alcohol (70 %) Resistant to alcohol (96 %) Resistant to A-Lactic Acid Resistant to diluted quaternary ammonium Resistant to diluted bleach Resistant to diluted ammonia Resistant to soapy water Resistant to crystal cleaner Resistant to hydrogen peroxide 10 volumes Resistant to hexane

Environment

IP degree of protection	IP20
IK degree of protection	IK01

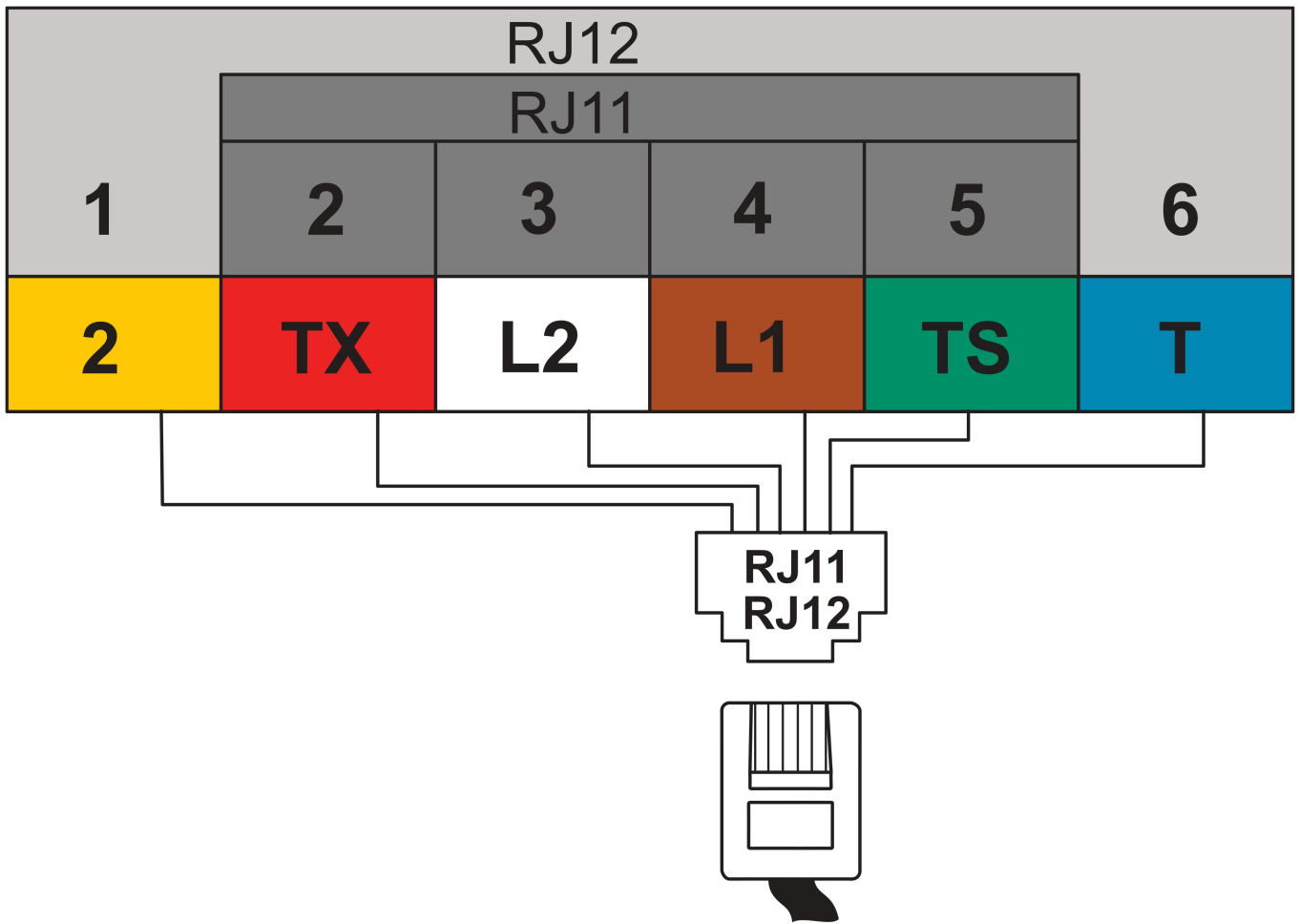
Packing Units

Unit Type of Package 1	PCE
Number of Units in Package 1	1
Package 1 Height	3.4 cm
Package 1 Width	7.5 cm
Package 1 Length	7.5 cm
Package 1 Weight	50 g
Unit Type of Package 2	BB1
Number of Units in Package 2	5
Package 2 Height	6.5 cm
Package 2 Width	12.3 cm
Package 2 Length	18.5 cm
Package 2 Weight	268 g
Unit Type of Package 3	S02
Number of Units in Package 3	20
Package 3 Height	15 cm
Package 3 Width	30 cm
Package 3 Length	40 cm
Package 3 Weight	1.54 kg

Offer Sustainability

Sustainable offer status	Green Premium product
REACH Regulation	REACH Declaration
REACH free of SVHC	Yes
EU RoHS Directive	Compliant EU RoHS Declaration
Toxic heavy metal free	Yes
Mercury free	Yes
China RoHS Regulation	China RoHS declaration Pro-active China RoHS declaration (out of China RoHS legal scope)
RoHS exemption information	Yes
Environmental Disclosure	Product Environmental Profile
Circularity Profile	No need of specific recycling operations
WEEE	The product must be disposed on European Union markets following specific waste collection and never end up in rubbish bins

Wiring Diagram



Recommended replacement(s)