

Product data sheet

Specifications



Telephone socket, New Unica, RJ12, 1 connector, 2 modules, beige

NU349744

Main

Range	New Unica
Aesthetic name	Unica (standard aesthetic)
Product or component type	Telephone socket
Device presentation	Mechanism with central plate
Colour tint	Beige Beige (RAL 1013)
Telephone socket type	RJ12 (6 contacts) - category 3 at 16 Mbit/s

Complementary

Socket number	1
Number of modules	2 modules
Connections - terminals	Screw terminals twisted pair
Device mounting	Flush
Fixing mode	Clip-in
Material	ASA + PC: mechanism cover ABS (acrylonitrile butadiene-styrene) GF10 FR: mechanism cover
Depth	23 mm
Width	45 mm
Height	45 mm
Embedding depth	12 mm
Net weight	0.018 kg
Ambient air temperature for operation	-5...45 °C
Ambient air temperature for storage	-5...45 °C
Resistance to chemical agents	Resistant to alcohol (70 %) Resistant to alcohol (96 %) Resistant to A-Lactic Acid Resistant to diluted quaternary ammonium Resistant to diluted bleach Resistant to diluted ammonia Resistant to soapy water Resistant to crystal cleaner Resistant to hydrogen peroxide 10 volumes Resistant to hexane

Environment

IP degree of protection	IP20
IK degree of protection	IK01
Environmental characteristic	UV resistant Bleach Oil Alcohol Window-cleaning fluid Acetone Liquid soap Petrol

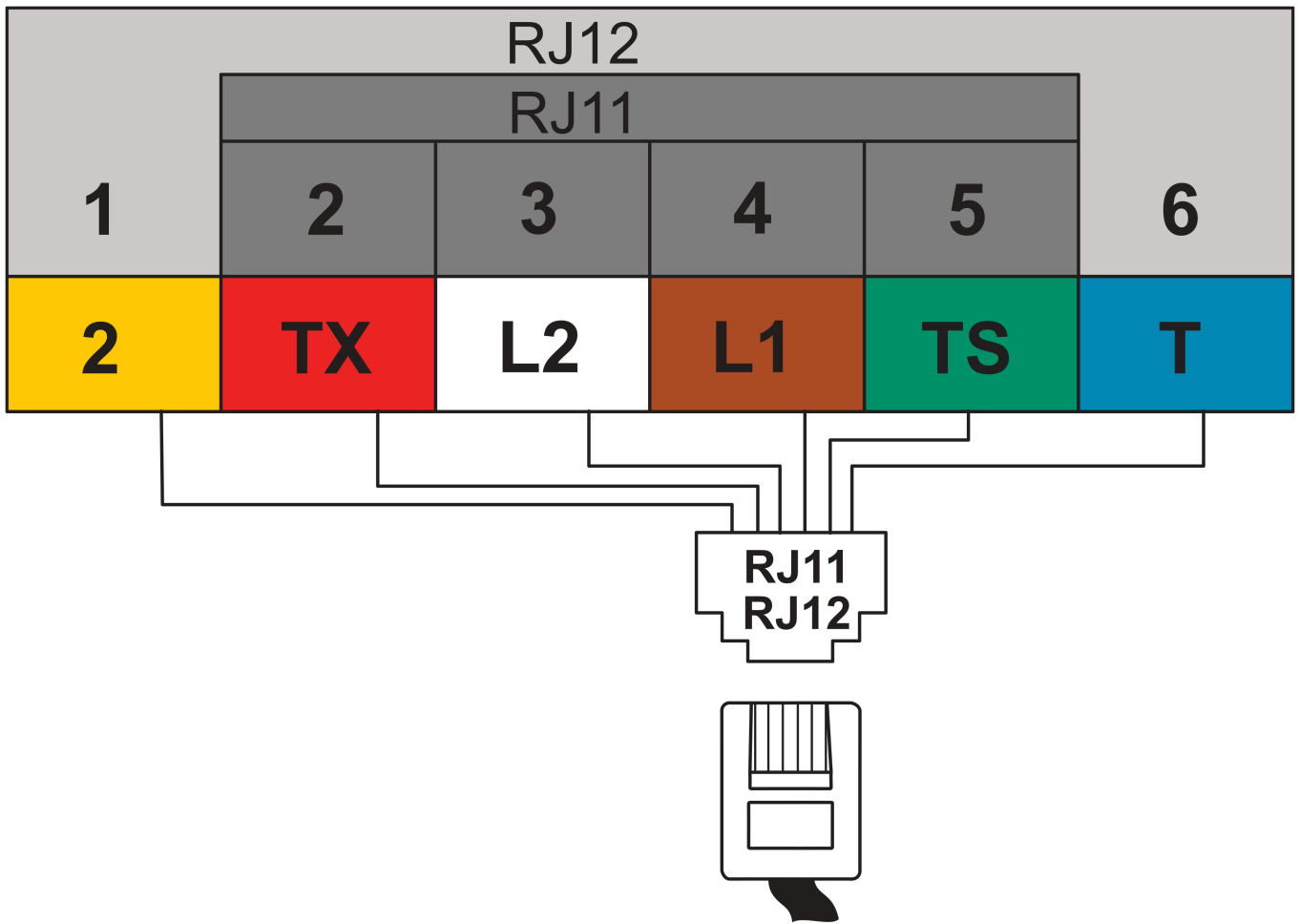
Packing Units

Unit Type of Package 1	PCE
Number of Units in Package 1	1
Package 1 Height	3.500 cm
Package 1 Width	4.500 cm
Package 1 Length	4.500 cm
Package 1 Weight	20.000 g
Unit Type of Package 2	BB1
Number of Units in Package 2	10
Package 2 Height	6.000 cm
Package 2 Width	14.500 cm
Package 2 Length	26.000 cm
Package 2 Weight	276.000 g
Unit Type of Package 3	S01
Number of Units in Package 3	20
Package 3 Height	15.000 cm
Package 3 Width	15.000 cm
Package 3 Length	40.000 cm
Package 3 Weight	703.000 g

Offer Sustainability

Sustainable offer status	Green Premium product
REACH Regulation	REACH Declaration
REACH free of SVHC	Yes
EU RoHS Directive	Compliant EU RoHS Declaration
Toxic heavy metal free	Yes
Mercury free	Yes
China RoHS Regulation	China RoHS declaration Pro-active China RoHS declaration (out of China RoHS legal scope)
RoHS exemption information	Yes
Environmental Disclosure	Product Environmental Profile
Circularity Profile	No need of specific recycling operations

Wiring Diagram



Recommended replacement(s)