

# Product data sheet

Specifications



## New Unica - telephone socket - 1 x RJ12 - 2 m - anthracite

NU349754

! Discontinued on: 30 June 2023

! Discontinued

### Main

Range	New Unica
Product or component type	Telephone socket
Device application	Communication
Device presentation	Mechanism
Colour tint	Anthracite (RAL 7021)
Telephone socket type	RJ12 (6 contacts) - category 3 at 16 Mbit/s

### Complementary

Socket number	1
Number of modules	2 modules
Connections - terminals	Screw terminals twisted pair
Device mounting	Flush
Fixing mode	Clip-in
Material	Thermoplastic ABS-UV stabilised: central plate
Depth	34 mm
Width	45 mm
Height	45 mm
Embedding depth	34 mm
Ambient air temperature for operation	-25...55 °C
Ambient air temperature for storage	-25...55 °C
Resistance to chemical agents	Resistant to alcohol (70 %) Resistant to alcohol (96 %) Resistant to A-Lactic Acid Resistant to diluted quaternary ammonium Resistant to diluted bleach Resistant to diluted ammonia Resistant to soapy water Resistant to crystal cleaner Resistant to hydrogen peroxide 10 volumes Resistant to hexane

## Environment

IP degree of protection	IP20
IK degree of protection	IK01

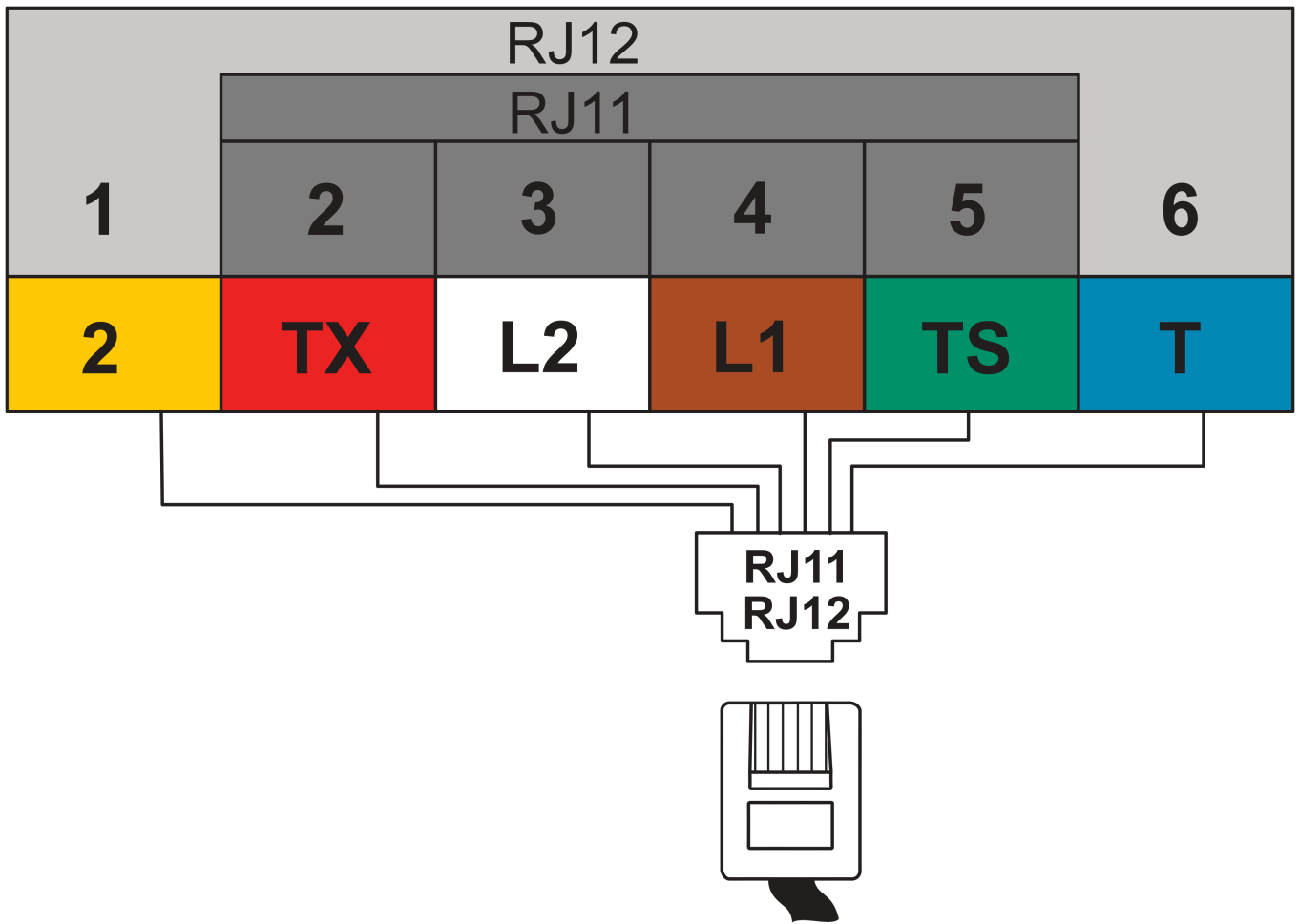
## Packing Units

Unit Type of Package 1	PCE
Number of Units in Package 1	1
Package 1 Height	4.5 cm
Package 1 Width	4.5 cm
Package 1 Length	4.5 cm
Package 1 Weight	257.0 g
Unit Type of Package 2	BB1
Number of Units in Package 2	10
Package 2 Height	5.8 cm
Package 2 Width	14.2 cm
Package 2 Length	26.0 cm
Package 2 Weight	288.0 g
Unit Type of Package 3	S03
Number of Units in Package 3	100
Package 3 Height	30.0 cm
Package 3 Width	30.0 cm
Package 3 Length	40.0 cm
Package 3 Weight	3.302 kg

## Offer Sustainability

Sustainable offer status	Green Premium product
REACH Regulation	<a href="#">REACH Declaration</a>
REACH free of SVHC	Yes
EU RoHS Directive	Compliant <a href="#">EU RoHS Declaration</a>
Toxic heavy metal free	Yes
Mercury free	Yes
China RoHS Regulation	<a href="#">China RoHS declaration</a> Pro-active China RoHS declaration (out of China RoHS legal scope)
RoHS exemption information	<a href="#">Yes</a>
Environmental Disclosure	<a href="#">Product Environmental Profile</a>
Circularity Profile	No need of specific recycling operations
WEEE	The product must be disposed on European Union markets following specific waste collection and never end up in rubbish bins

Wiring Diagram



Recommended replacement(s)