

# Product data sheet

Specifications



## New Unica - telephone socket - 1 x RJ11 - 2 m - aluminium

NU549230

! Discontinued on: 30 June 2023

! Discontinued

### Main

Range	New Unica
Product or component type	Telephone socket
Device application	Communication
Device presentation	Mechanism with fixing frame
Colour tint	Aluminium
Telephone socket type	RJ11 (4 contacts) - category 3 at 16 Mbit/s

### Complementary

Socket number	1
Number of modules	2 modules
Provided equipment	Fixing frame
Connections - terminals	Screw terminals twisted pair
Device mounting	Flush
Fixing mode	Screws
Material	Zamak: fixing frame Thermoplastic ABS-UV stabilised: central plate
Depth	34 mm
Width	74.5 mm
Height	74.5 mm
Embedding depth	25 mm
Ambient air temperature for operation	-25...55 °C
Ambient air temperature for storage	-25...55 °C
Resistance to chemical agents	Resistant to alcohol (70 %) Resistant to alcohol (96 %) Resistant to A-Lactic Acid Resistant to diluted quaternary ammonium Resistant to diluted bleach Resistant to diluted ammonia Resistant to soapy water Resistant to crystal cleaner Resistant to hydrogen peroxide 10 volumes Resistant to hexane

## Environment

IP degree of protection	IP20
IK degree of protection	IK01

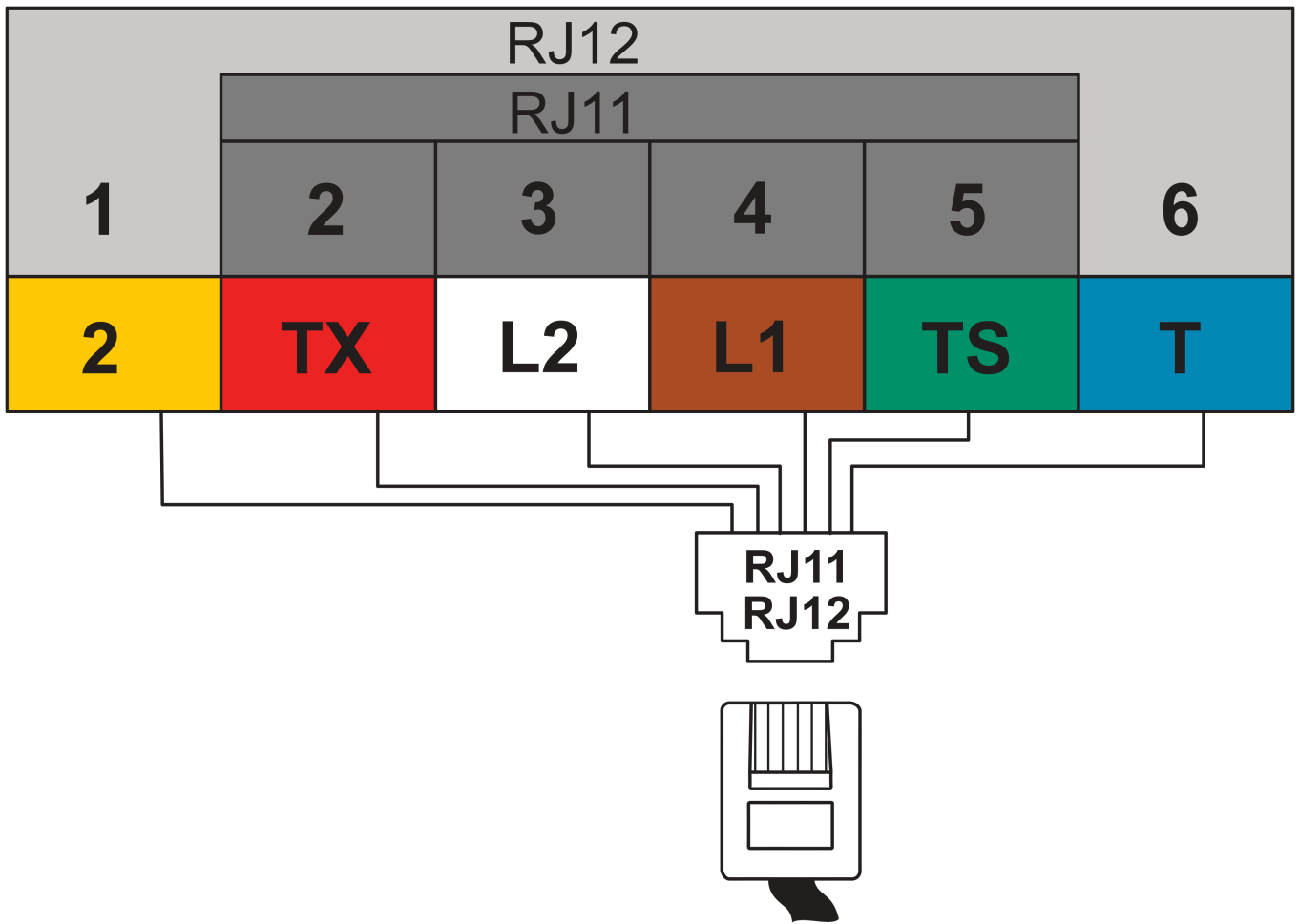
## Packing Units

Unit Type of Package 1	PCE
Number of Units in Package 1	1
Package 1 Height	3.4 cm
Package 1 Width	7.5 cm
Package 1 Length	7.5 cm
Package 1 Weight	49 g
Unit Type of Package 2	CAR
Number of Units in Package 2	4
Package 2 Height	6 cm
Package 2 Width	12 cm
Package 2 Length	17.5 cm
Package 2 Weight	306 g
Unit Type of Package 3	S01
Number of Units in Package 3	16
Package 3 Height	15 cm
Package 3 Width	15 cm
Package 3 Length	40 cm
Package 3 Weight	1449 g

## Offer Sustainability

Sustainable offer status	Green Premium product
REACH Regulation	<a href="#">REACH Declaration</a>
REACH free of SVHC	Yes
EU RoHS Directive	Compliant <a href="#">EU RoHS Declaration</a>
Toxic heavy metal free	Yes
Mercury free	Yes
China RoHS Regulation	<a href="#">China RoHS declaration</a> Pro-active China RoHS declaration (out of China RoHS legal scope)
RoHS exemption information	<a href="#">Yes</a>
Environmental Disclosure	<a href="#">Product Environmental Profile</a>
Circularity Profile	No need of specific recycling operations
WEEE	The product must be disposed on European Union markets following specific waste collection and never end up in rubbish bins

Wiring Diagram



Recommended replacement(s)