

Product data sheet

Specifications



Dimmer, New Unica, universal, rotary push type, white

NU351418

Main

Product brand	Schneider Electric
Range	New Unica
Type number	NH3514
Product or component type	Dimmer

Complementary

Device presentation	Mechanism
Device application	Light control
Dimmer type	Universal
Dimmer control	Rotary push type
Load type	Incandescent lamp: 5...200 W at 230 V AC Halogen lamp: 5...150 W at 230 V AC LED lamp: 5...100 VA at 230 V AC (RC LED mode) LED lamp: 5...20 VA at 230 V AC (RL LED mode) LV halogen lamps: 5...150 VA at 12 V AC (electronic transformer) LV halogen lamps: 5...150 VA at 12 V AC (wound transformer)
Function available	With memory function
[Ue] rated operational voltage	230 V AC 50 Hz
Associated fuse rating	16 A
Protection type	Automatic overload protection Overheating protection Short-circuit protection
Colour	White (RAL 9003)
Surface finish	Glossy
Number of modules	2 modules
Number of outputs	1
Control type	Local control dimming up/down control Local control automatic load detection Remote control by auxiliary push-button
Connected auxiliaries	Unlimited number of push-buttons, distance : 50 m
Provided equipment	User manual
Connections - terminals	Screw terminal
Number of loop terminals	2
Clamping connection capacity	1.5...2.5 mm ² for solid cable(s) 1.5...2.5 mm ² for solid stranded cable(s)

Shape of screw head	Pozidriv No 1 and combi
Tightening torque	0.5 N.m
Material	PC (polycarbonate) GF10 FR: casing Metal: terminals Thermoplastic ABS-UV stabilised: central plate
Device mounting	Flush
Fixing mode	By screws
Type of installation	Indoor installation
Quantity per set	1 carton
Embedding depth	29 mm
Depth	47 mm
Width	45 mm
Height	45 mm
Net weight	0.129 kg
Resistance to chemical agents	Resistant to alcohol (70 %) Resistant to alcohol (96 %) Resistant to A-Lactic Acid Resistant to diluted quaternary ammonium Resistant to diluted bleach Resistant to diluted ammonia Resistant to soapy water Resistant to crystal cleaner Resistant to hydrogen peroxide 10 volumes Resistant to hexane

Environment

Ambient air temperature for operation	5...40 °C
Ambient air temperature for storage	5...40 °C
IP degree of protection	IP20 IP21 with marking on visual parts
IK degree of protection	IK04
Environmental characteristic	UV resistant Oil Window-cleaning fluid Bleach Acetone Liquid soap Alcohol Petrol
Standards	EN 60730-2-7 EN 301-489-17 EN 60669-2-1 EN 300-328
Directives	2014/30/EU - electromagnetic compatibility 2014/35/EU - low voltage directive
Product certifications	NF NEMKO EAC VDE SEMKO FIMKO CE

Packing Units

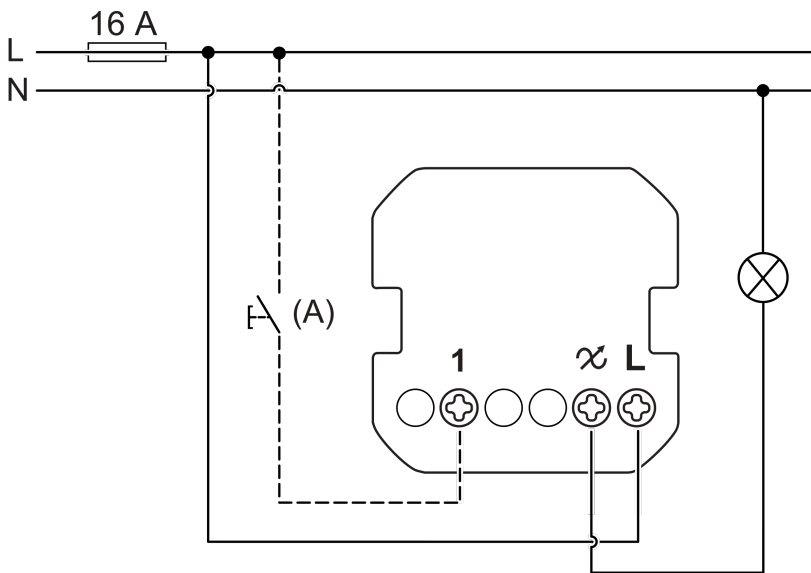
Unit Type of Package 1	PCE
Number of Units in Package 1	1
Package 1 Height	7.8 cm
Package 1 Width	9.5 cm

Package 1 Length	9.5 cm
Package 1 Weight	111 g
Unit Type of Package 2	S02
Number of Units in Package 2	9
Package 2 Height	15 cm
Package 2 Width	30 cm
Package 2 Length	40 cm
Package 2 Weight	1.467 kg
Unit Type of Package 3	P06
Number of Units in Package 3	144
Package 3 Height	77 cm
Package 3 Width	80 cm
Package 3 Length	60 cm
Package 3 Weight	31.972 kg

Offer Sustainability

Sustainable offer status	Green Premium product
REACH Regulation	REACH Declaration
EU RoHS Directive	Compliant with Exemptions
Mercury free	Yes
China RoHS Regulation	China RoHS declaration Product out of China RoHS scope. Substance declaration for your information
RoHS exemption information	Yes
Environmental Disclosure	Product Environmental Profile
Circularity Profile	End of Life Information
WEEE	The product must be disposed on European Union markets following specific waste collection and never end up in rubbish bins

Wiring Diagram



(A) Mechanical push-button (optional)

⚡ ⚠ DANGER

HAZARD OF ELECTRIC SHOCK, EXPLOSION OR ARC FLASH

The product must be installed and connected by a qualified electrician.
A qualified electrician must demonstrate an in-depth knowledge of:

- Construction of electrical installations in buildings in accordance with IEC 60364
- Additional safety standards, local connection rules, and building regulations
- Standardized tools and measuring equipment

Failure to follow these instructions will result in death or serious injury.

Recommended replacement(s)