

Product data sheet

Specifications



Dimmer, New Unica, rotary push type, aluminium

NU551430

Main

Product brand	Schneider Electric
Range	New Unica
Type number	NH3514
Product or component type	Dimmer

Complementary

Device presentation	Mechanism with fixing frame
Device application	Light control
Dimmer type	Universal
Dimmer control	Rotary push type
Load type	Incandescent lamp: 5...200 W at 230 V AC Halogen lamp: 5...150 W at 230 V AC LED lamp: 5...100 VA at 230 V AC (RC LED mode) LED lamp: 5...20 VA at 230 V AC (RL LED mode) LV halogen lamps: 5...150 VA at 12 V AC (electronic transformer) LV halogen lamps: 5...150 VA at 12 V AC (wound transformer)
Function available	With memory function
[Ue] rated operational voltage	230 V AC 50 Hz
Associated fuse rating	16 A
Protection type	Automatic overload protection Short-circuit protection Overheating protection
Colour	Aluminium
Surface finish	Painted powder coated
Number of modules	2 modules
Number of outputs	1
Control type	Local control dimming up/down control Local control automatic load detection Remote control by auxiliary push-button
Connected auxiliaries	Unlimited number of push-buttons, distance : 50 m
Provided equipment	User manual Fixing frame
Connections - terminals	Screw terminal
Number of loop terminals	2
Clamping connection capacity	1.5...2.5 mm ² for solid cable(s)

1.5...2.5 mm² for solid stranded cable(s)

Shape of screw head	Pozidriv No 1 and combi
Tightening torque	0.5 N.m
Material	PC (polycarbonate) GF10 FR: casing Metal: terminals Thermoplastic ABS-UV stabilised: central plate Zamak: fixing frame
Device mounting	Flush
Fixing mode	By screws
Type of installation	Indoor installation
Quantity per set	1 carton
Embedding depth	29 mm
Depth	47 mm
Width	74.5 mm
Height	74.5 mm
Net weight	0.129 kg
Resistance to chemical agents	Resistant to alcohol (70 %) Resistant to alcohol (96 %) Resistant to A-Lactic Acid Resistant to diluted quaternary ammonium Resistant to diluted bleach Resistant to diluted ammonia Resistant to soapy water Resistant to crystal cleaner Resistant to hydrogen peroxide 10 volumes Resistant to hexane

Environment

Ambient air temperature for operation	5...40 °C
Ambient air temperature for storage	5...40 °C
IP degree of protection	IP20
IK degree of protection	IK04
Environmental characteristic	Window-cleaning fluid Petrol UV resistant Acetone Oil Liquid soap Alcohol Bleach
Standards	EN 60669-2-1 EN 300-328 EN 301-489-17 EN 60730-2-7
Directives	2014/30/EU - electromagnetic compatibility 2014/35/EU - low voltage directive
Product certifications	NEMKO EAC FIMKO CE VDE NF SEMKO

Packing Units

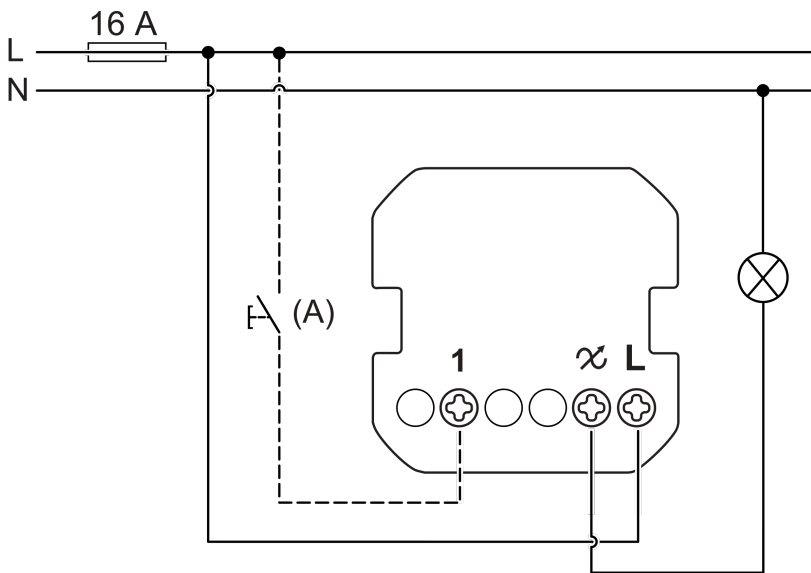
Unit Type of Package 1	PCE
Number of Units in Package 1	1
Package 1 Height	4.5 cm

Package 1 Width	7.5 cm
Package 1 Length	7.5 cm
Package 1 Weight	80.5 g

Offer Sustainability

Sustainable offer status	Green Premium product
REACH Regulation	REACH Declaration
EU RoHS Directive	Compliant with Exemptions
Mercury free	Yes
China RoHS Regulation	China RoHS declaration Product out of China RoHS scope. Substance declaration for your information
RoHS exemption information	Yes
Environmental Disclosure	Product Environmental Profile
Circularity Profile	End of Life Information
WEEE	The product must be disposed on European Union markets following specific waste collection and never end up in rubbish bins

Wiring Diagram



(A) Mechanical push-button (optional)

⚡ ⚠ DANGER

HAZARD OF ELECTRIC SHOCK, EXPLOSION OR ARC FLASH

The product must be installed and connected by a qualified electrician.
A qualified electrician must demonstrate an in-depth knowledge of:

- Construction of electrical installations in buildings in accordance with IEC 60364
- Additional safety standards, local connection rules, and building regulations
- Standardized tools and measuring equipment

Failure to follow these instructions will result in death or serious injury.

Recommended replacement(s)