

# Product data sheet

Specifications



## Dimmer, New Unica, rotary push type, beige

NU551444

### Main

|                           |                    |
|---------------------------|--------------------|
| Product brand             | Schneider Electric |
| Range                     | New Unica          |
| Type number               | NH3514             |
| Product or component type | Dimmer             |

### Complementary

|                                |   |
|--------------------------------|---|
| Device presentation            | Mechanism with fixing frame   |
| Device application             | Light control   |
| Dimmer type                    | Universal   |
| Dimmer control                 | Rotary push type  |
| Load type                      | Incandescent lamp: 5...200 W at 230 V AC<br>Halogen lamp: 5...150 W at 230 V AC<br>LED lamp: 5...100 VA at 230 V AC (RC LED mode)<br>LED lamp: 5...20 VA at 230 V AC (RL LED mode)<br>LV halogen lamps: 5...150 VA at 12 V AC (electronic transformer)<br>LV halogen lamps: 5...150 VA at 12 V AC (wound transformer) |
| Function available             | With memory function  |
| [Ue] rated operational voltage | 230 V AC 50 Hz  |
| Associated fuse rating         | 16 A  |
| Protection type                | Short-circuit protection<br>Overheating protection<br>Automatic overload protection   |
| Colour                         | Beige (RAL 1013)  |
| Surface finish                 | Glossy  |
| Number of modules              | 2 modules   |
| Number of outputs              | 1   |
| Control type                   | Local control dimming up/down control<br>Local control automatic load detection<br>Remote control by auxiliary push-button  |
| Connected auxiliaries          | Unlimited number of push-buttons, distance : 50 m   |
| Provided equipment             | Fixing frame<br>User manual   |
| Connections - terminals        | Screw terminal  |
| Number of loop terminals       | 2   |
| Clamping connection capacity   | 1.5...2.5 mm <sup>2</sup> for solid cable(s)  |

1.5...2.5 mm<sup>2</sup> for solid stranded cable(s)

|                                      |   |
|--------------------------------------|---|
| <b>Shape of screw head</b>           | Pozidriv No 1 and combi   |
| <b>Tightening torque</b>             | 0.5 N.m   |
| <b>Material</b>                      | PC (polycarbonate) GF10 FR: casing<br>Metal: terminals<br>Thermoplastic ABS-UV stabilised: central plate<br>Zamak: fixing frame   |
| <b>Device mounting</b>               | Flush   |
| <b>Fixing mode</b>                   | By screws   |
| <b>Type of installation</b>          | Indoor installation   |
| <b>Quantity per set</b>              | 1 carton  |
| <b>Embedding depth</b>               | 29 mm   |
| <b>Depth</b>                         | 47 mm   |
| <b>Width</b>                         | 74.5 mm   |
| <b>Height</b>                        | 74.5 mm   |
| <b>Net weight</b>                    | 0.129 kg  |
| <b>Resistance to chemical agents</b> | Resistant to alcohol (70 %)<br>Resistant to alcohol (96 %)<br>Resistant to A-Lactic Acid<br>Resistant to diluted quaternary ammonium<br>Resistant to diluted bleach<br>Resistant to diluted ammonia<br>Resistant to soapy water<br>Resistant to crystal cleaner<br>Resistant to hydrogen peroxide 10 volumes<br>Resistant to hexane |

## Environment

|  |   |
|--|---|
| <b>Ambient air temperature for operation</b> | 5...40 °C   |
| <b>Ambient air temperature for storage</b>   | 5...40 °C   |
| <b>IP degree of protection</b>               | IP20  |
| <b>IK degree of protection</b>               | IK04  |
| <b>Environmental characteristic</b>          | UV resistant<br>Petrol<br>Window-cleaning fluid<br>Acetone<br>Bleach<br>Alcohol<br>Oil<br>Liquid soap |
| <b>Standards</b>                             | EN 60730-2-7<br>EN 301-489-17<br>EN 60669-2-1<br>EN 300-328   |
| <b>Directives</b>                            | 2014/35/EU - low voltage directive<br>2014/30/EU - electromagnetic compatibility                      |
| <b>Product certifications</b>                | NEMKO<br>EAC<br>VDE<br>FIMKO<br>CE<br>SEMKO<br>NF   |

## Packing Units

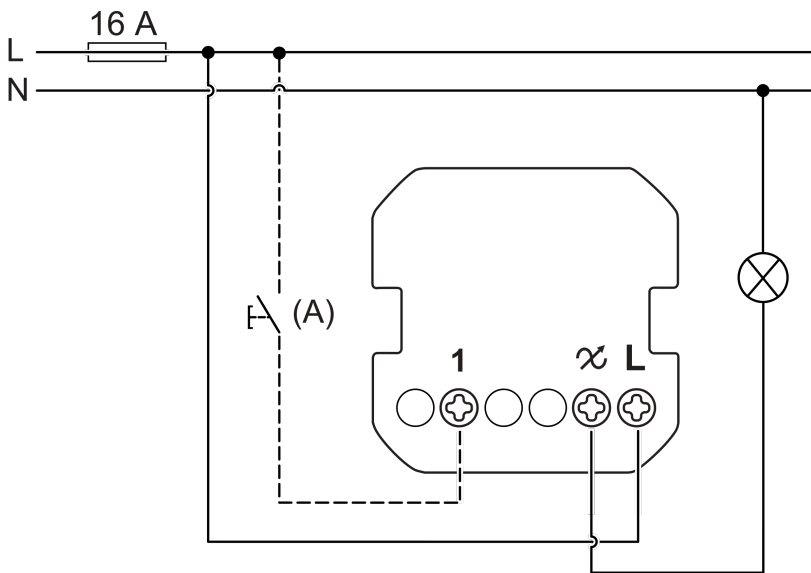
|                                     |        |
|-------------------------------------|--------|
| <b>Unit Type of Package 1</b>       | PCE    |
| <b>Number of Units in Package 1</b> | 1      |
| <b>Package 1 Height</b>             | 4.5 cm |

|                         |        |
|-------------------------|--------|
| <b>Package 1 Width</b>  | 7.5 cm |
| <b>Package 1 Length</b> | 7.5 cm |
| <b>Package 1 Weight</b> | 80.5 g |

## Offer Sustainability

|                                   |   |
|-----------------------------------|---|
| <b>Sustainable offer status</b>   | Green Premium product   |
| <b>REACH Regulation</b>           | <a href="#">REACH Declaration</a>   |
| <b>EU RoHS Directive</b>          | Compliant with Exemptions   |
| <b>Mercury free</b>               | Yes   |
| <b>China RoHS Regulation</b>      | <a href="#">China RoHS declaration</a><br>Product out of China RoHS scope. Substance declaration for your information       |
| <b>RoHS exemption information</b> | Yes   |
| <b>Environmental Disclosure</b>   | <a href="#">Product Environmental Profile</a>   |
| <b>Circularity Profile</b>        | <a href="#">End of Life Information</a>   |
| <b>WEEE</b>                       | The product must be disposed on European Union markets following specific waste collection and never end up in rubbish bins |

Wiring Diagram



(A) Mechanical push-button (optional)

**⚡ ⚠ DANGER**

**HAZARD OF ELECTRIC SHOCK, EXPLOSION OR ARC FLASH**

The product must be installed and connected by a qualified electrician.  
A qualified electrician must demonstrate an in-depth knowledge of:

- Construction of electrical installations in buildings in accordance with IEC 60364
- Additional safety standards, local connection rules, and building regulations
- Standardized tools and measuring equipment

**Failure to follow these instructions will result in death or serious injury.**

Recommended replacement(s)