

# Product data sheet

Specifications



## Dimmer, New Unica, rotary push type, anthracite

NU551454

### Main

Product brand	Schneider Electric
Range	New Unica
Type number	NH3514
Product or component type	Dimmer

### Complementary

Device presentation	Mechanism with fixing frame
Device application	Light control
Dimmer type	Universal
Dimmer control	Rotary push type
Load type	Incandescent lamp: 5...200 W at 230 V AC Halogen lamp: 5...150 W at 230 V AC LED lamp: 5...100 VA at 230 V AC (RC LED mode) LED lamp: 5...20 VA at 230 V AC (RL LED mode) LV halogen lamps: 5...150 VA at 12 V AC (electronic transformer) LV halogen lamps: 5...150 VA at 12 V AC (wound transformer)
Function available	With memory function
[Ue] rated operational voltage	230 V AC 50 Hz
Associated fuse rating	16 A
Protection type	Short-circuit protection Overheating protection Automatic overload protection
Colour	Anthracite (RAL 7021)
Surface finish	Painted powder coated
Number of modules	2 modules
Number of outputs	1
Control type	Local control dimming up/down control Local control automatic load detection Remote control by auxiliary push-button
Connected auxiliaries	Unlimited number of push-buttons, distance : 50 m
Provided equipment	Fixing frame User manual
Connections - terminals	Screw terminal
Number of loop terminals	2
Clamping connection capacity	1.5...2.5 mm <sup>2</sup> for solid cable(s)

1.5...2.5 mm<sup>2</sup> for solid stranded cable(s)

<b>Shape of screw head</b>	Pozidriv No 1 and combi
<b>Tightening torque</b>	0.5 N.m
<b>Material</b>	PC (polycarbonate) GF10 FR: casing Metal: terminals Thermoplastic ABS-UV stabilised: central plate Zamak: fixing frame
<b>Device mounting</b>	Flush
<b>Fixing mode</b>	By screws
<b>Type of installation</b>	Indoor installation
<b>Quantity per set</b>	1 carton
<b>Embedding depth</b>	29 mm
<b>Depth</b>	47 mm
<b>Width</b>	74.5 mm
<b>Height</b>	74.5 mm
<b>Net weight</b>	0.129 kg
<b>Resistance to chemical agents</b>	Resistant to alcohol (70 %) Resistant to alcohol (96 %) Resistant to A-Lactic Acid Resistant to diluted quaternary ammonium Resistant to diluted bleach Resistant to diluted ammonia Resistant to soapy water Resistant to crystal cleaner Resistant to hydrogen peroxide 10 volumes Resistant to hexane

## Environment

<b>Ambient air temperature for operation</b>	5...40 °C
<b>Ambient air temperature for storage</b>	5...40 °C
<b>IP degree of protection</b>	IP20
<b>IK degree of protection</b>	IK04
<b>Environmental characteristic</b>	UV resistant Petrol Alcohol Acetone Oil Bleach Window-cleaning fluid Liquid soap
<b>Standards</b>	EN 60730-2-7 EN 300-328 EN 301-489-17 EN 60669-2-1
<b>Directives</b>	2014/30/EU - electromagnetic compatibility 2014/35/EU - low voltage directive
<b>Product certifications</b>	VDE FIMKO EAC SEMKO NEMKO NF CE

## Packing Units

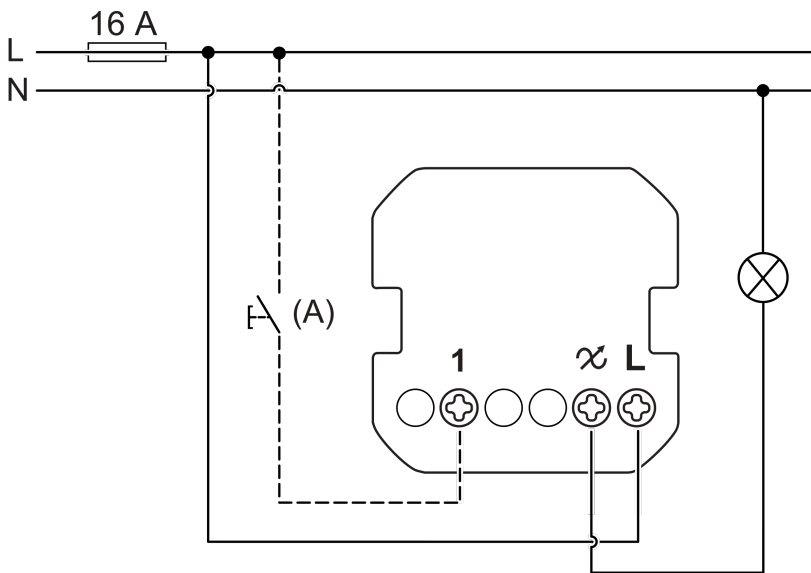
<b>Unit Type of Package 1</b>	PCE
<b>Number of Units in Package 1</b>	1
<b>Package 1 Height</b>	8.000 cm

Package 1 Width	9.500 cm
Package 1 Length	9.500 cm
Package 1 Weight	120.000 g
Unit Type of Package 2	S01
Number of Units in Package 2	4
Package 2 Height	15.000 cm
Package 2 Width	15.000 cm
Package 2 Length	40.000 cm
Package 2 Weight	625.000 g
Unit Type of Package 3	P06
Number of Units in Package 3	128
Package 3 Height	75.000 cm
Package 3 Width	80.000 cm
Package 3 Length	60.000 cm
Package 3 Weight	28.000 kg

## Offer Sustainability

Sustainable offer status	Green Premium product
REACH Regulation	<a href="#">REACH Declaration</a>
EU RoHS Directive	Compliant with Exemptions
Mercury free	Yes
China RoHS Regulation	<a href="#">China RoHS declaration</a> Product out of China RoHS scope. Substance declaration for your information
RoHS exemption information	<a href="#">Yes</a>
Environmental Disclosure	<a href="#">Product Environmental Profile</a>
Circularity Profile	<a href="#">End of Life Information</a>
WEEE	The product must be disposed on European Union markets following specific waste collection and never end up in rubbish bins

Wiring Diagram



(A) Mechanical push-button (optional)

**⚡ ⚠ DANGER**

**HAZARD OF ELECTRIC SHOCK, EXPLOSION OR ARC FLASH**

The product must be installed and connected by a qualified electrician.  
A qualified electrician must demonstrate an in-depth knowledge of:

- Construction of electrical installations in buildings in accordance with IEC 60364
- Additional safety standards, local connection rules, and building regulations
- Standardized tools and measuring equipment

**Failure to follow these instructions will result in death or serious injury.**

Recommended replacement(s)