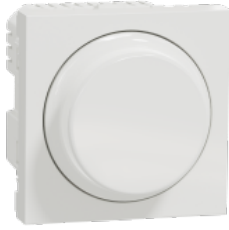


# Product data sheet

Specifications



## Connected dimmer, New Unica, Wisier, rotary, universal, LED, white

NU351818

### Main

Product brand	Schneider Electric
Range	New Unica
Type number	NH3516
Product or component type	Connected dimmer

### Complementary

Concentrator compatibility	Wiser hub generation 1
Mobile App name	Wiser by SE
Device presentation	Mechanism
Device application	Light control
Dimmer type	Universal
Dimmer control	Rotary push type
Load type	Incandescent lamp: 14...200 W at 230 V AC Halogen lamp: 14...150 W at 230 V AC LV halogen lamps: 14...150 VA at 12 V AC (wound transformer) LED lamp: 7...100 VA at 230 V AC (RC LED mode) LED lamp: 7...20 VA at 230 V AC (RL LED mode) LV halogen lamps: 14...150 VA at 12 V AC (electronic transformer)
[Ue] rated operational voltage	230 V AC 50 Hz
Standby consumption	Max. 0.4 W
Associated fuse rating	16 A
Protection type	Short-circuit protection Overheating protection Automatic overload protection
Colour	White (RAL 9003)
Surface finish	Glossy
Number of modules	2 modules
Local signalling	Programming indication: 1 LED (green/red)
Number of outputs	1
Control type	Local control dimming up/down control Local control automatic load detection Remote control by auxiliary push-button on/off switching Remote control by auxiliary push-button dimming up/down control Remote control on/off switching Remote control dimming up/down control Local control on/off switching Remote control device programming

<b>Software name</b>	Wiser App: dimming range control Wiser App: overtravel control Wiser App: program the switching time Wiser App: enable timer mode Wiser App: management of the dimming mode Wiser App: enable switch-on brightness/memory function Wiser App: enable timer mode/overtravel time Wiser App: upgrade device firmware Wiser App: load control Wiser App: define LED status Wiser App: management of trigger settings Wiser App: weekday switching Wiser App: astro function Wiser App: random function Wiser App: enable wake-up function
<b>Time delay range</b>	1 s...24 h (overtravel)
<b>Maximum number of connected devices</b>	Bluetooth: 15 (smart device) Bluetooth: 10 (Wiser device) Bluetooth: 10 (multiway switching between coupled device)
<b>Communication network type</b>	Wireless Zigbee (2.4 GHz), 2.5 mW at < 50 m
<b>System requirements</b>	Android 5.1 or higher Wiser App Apple iOS 10.3 or higher Wiser App Bluetooth 4.1 or higher Bluetooth Wiser Home Touch Wiser Home control
<b>Connected auxiliaries</b>	Unlimited number of push-buttons, distance : 50 m
<b>Provided equipment</b>	User manual
<b>Connections - terminals</b>	Screw terminal
<b>Number of loop terminals</b>	2
<b>Clamping connection capacity</b>	1.5...2.5 mm <sup>2</sup> for solid or flexible cable(s) 1.5...2.5 mm <sup>2</sup> for solid stranded cable(s)
<b>Shape of screw head</b>	Pozidriv No 1 and combi
<b>Tightening torque</b>	0.5 N.m
<b>Material</b>	PC (polycarbonate) GF10 FR: casing Metal: terminals Thermoplastic ABS-UV stabilised: central plate
<b>Mounting support</b>	Wall
<b>Device mounting</b>	Flush
<b>Fixing mode</b>	By screws
<b>Type of installation</b>	Indoor installation
<b>Quantity per set</b>	1 carton
<b>Embedding depth</b>	29 mm
<b>Depth</b>	48 mm
<b>Width</b>	45 mm
<b>Height</b>	45 mm
<b>Net weight</b>	0.129 kg
<b>Resistance to chemical agents</b>	Resistant to alcohol (70 %) Resistant to alcohol (96 %) Resistant to A-Lactic Acid Resistant to diluted quaternary ammonium Resistant to diluted bleach Resistant to diluted ammonia Resistant to soapy water Resistant to crystal cleaner Resistant to hydrogen peroxide 10 volumes Resistant to hexane

## Environment

<b>Ambient air temperature for operation</b>	5...40 °C
--	-----------

<b>Ambient air temperature for storage</b>	5...40 °C
<b>IP degree of protection</b>	IP20 IP21 with marking on visual parts
<b>IK degree of protection</b>	IK04
<b>Environmental characteristic</b>	Acetone Window-cleaning fluid Oil Bleach UV resistant Alcohol Liquid soap Petrol
<b>Standards</b>	EN 60669-2-1 EN 300-328 EN 301-489-17 EN 60730-2-7
<b>Directives</b>	2014/35/EU - low voltage directive 2014/30/EU - electromagnetic compatibility
<b>Product certifications</b>	NEMKO VDE FIMKO CE EAC NF SEMKO

## Packing Units

<b>Unit Type of Package 1</b>	PCE
<b>Number of Units in Package 1</b>	1
<b>Package 1 Height</b>	8 cm
<b>Package 1 Width</b>	9.5 cm
<b>Package 1 Length</b>	9.5 cm
<b>Package 1 Weight</b>	126 g
<b>Unit Type of Package 2</b>	S03
<b>Number of Units in Package 2</b>	27
<b>Package 2 Height</b>	30 cm
<b>Package 2 Width</b>	30 cm
<b>Package 2 Length</b>	40 cm
<b>Package 2 Weight</b>	3.764 kg
<b>Unit Type of Package 3</b>	P06
<b>Number of Units in Package 3</b>	216
<b>Package 3 Height</b>	77 cm
<b>Package 3 Width</b>	60 cm
<b>Package 3 Length</b>	80 cm
<b>Package 3 Weight</b>	47.236 kg

## Offer Sustainability

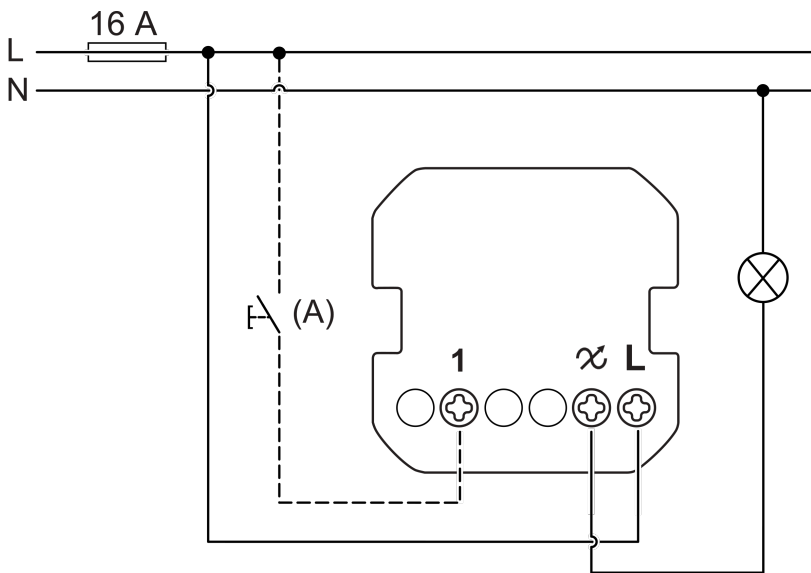
<b>Sustainable offer status</b>	Green Premium product
<b>REACH Regulation</b>	<a href="#">REACH Declaration</a>
<b>EU RoHS Directive</b>	Compliant with Exemptions
<b>Mercury free</b>	Yes
<b>China RoHS Regulation</b>	<a href="#">China RoHS declaration</a> Product out of China RoHS scope. Substance declaration for your information

---

<b>RoHS exemption information</b>	<a href="#">Yes</a>
<b>Environmental Disclosure</b>	<a href="#">Product Environmental Profile</a>
<b>Circularity Profile</b>	<a href="#">End of Life Information</a>

---

Wiring Diagram



(A) Mechanical push-button (optional)

**⚡ ⚠ DANGER**

**HAZARD OF ELECTRIC SHOCK, EXPLOSION OR ARC FLASH**

The product must be installed and connected by a qualified electrician.  
A qualified electrician must demonstrate an in-depth knowledge of:

- Construction of electrical installations in buildings in accordance with IEC 60364
- Additional safety standards, local connection rules, and building regulations
- Standardized tools and measuring equipment

**Failure to follow these instructions will result in death or serious injury.**

Recommended replacement(s)