

Product data sheet

Specifications



Connected dimmer, New Unica, Wisier Home, rotary, LED, aluminium

NU351630W

Main

Product brand	Schneider Electric
Range	New Unica
Type number	NH3516
Product or component type	Connected dimmer

Complementary

Concentrator compatibility	Wiser hub generation 1 Wiser hub generation 2
Mobile App name	Wiser Home
Device presentation	Mechanism
Device application	Light control
Dimmer type	Universal
Dimmer control	Rotary push type
Load type	Incandescent lamp: 14...200 W at 230 V AC Halogen lamp: 14...150 W at 230 V AC LV halogen lamps: 14...150 VA at 12 V AC (wound transformer) LED lamp: 7...100 VA at 230 V AC (RC LED mode) LED lamp: 7...20 VA at 230 V AC (RL LED mode) LV halogen lamps: 14...150 VA at 12 V AC (electronic transformer)
[Ue] rated operational voltage	230 V AC 50 Hz
Standby consumption	Max. 0.4 W
Associated fuse rating	16 A
Protection type	Short-circuit protection Automatic overload protection Overheating protection
Colour	Aluminium
Surface finish	Painted powder coated
Number of modules	2 modules
Local signalling	Programming indication: 1 LED (green/red)
Number of outputs	1
Control type	Local control dimming up/down control Local control automatic load detection Remote control by auxiliary push-button on/off switching Remote control by auxiliary push-button dimming up/down control Remote control Wiser App on/off switching Remote control Wiser App dimming up/down control Local control on/off switching

Software name	Wiser App: dimming range control Wiser App: overtravel control Wiser App: program the switching time Wiser App: enable timer mode Wiser App: management of the dimming mode Wiser App: enable switch-on brightness/memory function Wiser App: enable timer mode/overtravel time Wiser App: upgrade device firmware Wiser App: load control Wiser App: define LED status Wiser App: management of trigger settings Wiser App: weekday switching Wiser App: astro function Wiser App: random function Wiser App: enable wake-up function Wiser App: starting staircase timer (with/without warning) Wiser App: enable fall-asleep function
Time delay range	1 s...24 h (overtravel)
Maximum number of connected devices	Zigbee: 15 (smart device) 10 (Wiser device) 10 (multiway switching between coupled device)
Communication network type	Wireless Zigbee (2.4 GHz), 2.5 mW at < 50 m
System requirements	Wiser Home Touch Wiser App Wiser Home Touch Wiser Home control Bluetooth Wiser Home Touch Wiser Home control
Connected auxiliaries	Unlimited number of push-buttons, distance : 50 m
Provided equipment	User manual
Connections - terminals	Screw terminal
Number of loop terminals	2
Clamping connection capacity	1.5...2.5 mm ² for solid cable(s) 1.5...2.5 mm ² for solid stranded cable(s)
Shape of screw head	Pozidriv No 1 and combi
Tightening torque	0.5 N.m
Material	PC (polycarbonate) GF10 FR: casing Metal: terminals Thermoplastic ABS-UV stabilised: central plate
Mounting support	Wall
Device mounting	Flush
Fixing mode	By screws
Type of installation	Indoor installation
Quantity per set	1 carton
Embedding depth	29 mm
Depth	48 mm
Width	45 mm
Height	45 mm
Net weight	0.129 kg
Resistance to chemical agents	Resistant to alcohol (70 %) Resistant to alcohol (96 %) Resistant to A-Lactic Acid Resistant to diluted quaternary ammonium Resistant to diluted bleach Resistant to diluted ammonia Resistant to soapy water Resistant to crystal cleaner Resistant to hydrogen peroxide 10 volumes Resistant to hexane

Environment

Ambient air temperature for operation	5...40 °C
--	-----------

Ambient air temperature for storage	5...40 °C
IP degree of protection	IP20 IP21 with marking on visual parts
IK degree of protection	IK04
Environmental characteristic	Window-cleaning fluid Liquid soap Bleach UV resistant Acetone Oil Petrol Alcohol
Standards	EN 60730-2-7 EN 300-328 EN 60669-2-1 EN 301-489-17
Directives	2014/35/EU - low voltage directive 2014/30/EU - electromagnetic compatibility
Product certifications	NEMKO CE VDE NF FIMKO EAC SEMKO

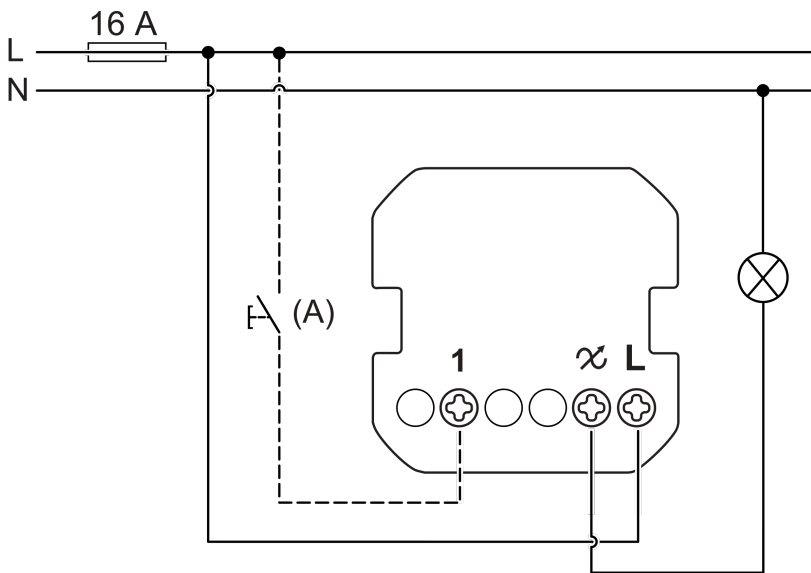
Packing Units

Unit Type of Package 1	PCE
Number of Units in Package 1	1
Package 1 Height	7.9 cm
Package 1 Width	9.6 cm
Package 1 Length	9.6 cm
Package 1 Weight	125.0 g
Unit Type of Package 2	S01
Number of Units in Package 2	4
Package 2 Height	15.0 cm
Package 2 Width	15.0 cm
Package 2 Length	40.0 cm
Package 2 Weight	715.0 g

Offer Sustainability

Sustainable offer status	Green Premium product
REACH Regulation	REACH Declaration
EU RoHS Directive	Compliant with Exemptions
Mercury free	Yes
China RoHS Regulation	China RoHS declaration Product out of China RoHS scope. Substance declaration for your information
RoHS exemption information	Yes
Environmental Disclosure	Product Environmental Profile
Circularity Profile	End of Life Information

Wiring Diagram



(A) Mechanical push-button (optional)

⚡ ⚠ DANGER

HAZARD OF ELECTRIC SHOCK, EXPLOSION OR ARC FLASH

The product must be installed and connected by a qualified electrician.
A qualified electrician must demonstrate an in-depth knowledge of:

- Construction of electrical installations in buildings in accordance with IEC 60364
- Additional safety standards, local connection rules, and building regulations
- Standardized tools and measuring equipment

Failure to follow these instructions will result in death or serious injury.

Recommended replacement(s)