

Product data sheet

Specifications



Dimmer, New Unica, rotary push type, anthracite

NU551454D

Main

| | |
|---------------------------|--------------------|
| Product brand | Schneider Electric |
| Range | New Unica |
| Type number | NH3514 |
| Product or component type | Dimmer |

Complementary

| | |
|--------------------------------|---|
| Device presentation | Mechanism with fixing frame |
| Device application | Light control |
| Dimmer type | Universal |
| Dimmer control | Rotary push type |
| Load type | Incandescent lamp: 5...200 W at 230 V AC Halogen lamp: 5...150 W at 230 V AC LED lamp: 5...100 VA at 230 V AC (RC LED mode) LED lamp: 5...20 VA at 230 V AC (RL LED mode) LV halogen lamps: 5...150 VA at 12 V AC (electronic transformer) LV halogen lamps: 5...150 VA at 12 V AC (wound transformer) |
| Function available | With memory function |
| [Ue] rated operational voltage | 230 V AC 50 Hz |
| Associated fuse rating | 16 A |
| Protection type | Automatic overload protection Overheating protection Short-circuit protection |
| Colour | Anthracite (RAL 7021) |
| Surface finish | Painted powder coated |
| Number of modules | 2 modules |
| Number of outputs | 1 |
| Control type | Local control dimming up/down control Local control automatic load detection Remote control by auxiliary push-button |
| Connected auxiliaries | Unlimited number of push-buttons, distance : 50 m |
| Provided equipment | Fixing frame User manual |
| Connections - terminals | Screw terminal |
| Number of loop terminals | 2 |
| Clamping connection capacity | 1.5...2.5 mm ² for solid cable(s) |

1.5...2.5 mm² for solid stranded cable(s)

| | |
|--------------------------------------|---|
| Shape of screw head | Pozidriv No 1 and combi |
| Tightening torque | 0.5 N.m |
| Material | PC (polycarbonate) GF10 FR: casing Metal: terminals Thermoplastic ABS-UV stabilised: central plate Zamak: fixing frame |
| Device mounting | Flush |
| Fixing mode | By screws |
| Type of installation | Indoor installation |
| Quantity per set | 1 carton |
| Embedding depth | 29 mm |
| Depth | 47 mm |
| Width | 74.5 mm |
| Height | 74.5 mm |
| Net weight | 0.129 kg |
| Resistance to chemical agents | Resistant to alcohol (70 %) Resistant to alcohol (96 %) Resistant to A-Lactic Acid Resistant to diluted quaternary ammonium Resistant to diluted bleach Resistant to diluted ammonia Resistant to soapy water Resistant to crystal cleaner Resistant to hydrogen peroxide 10 volumes Resistant to hexane |

Environment

| | |
|--|---|
| Ambient air temperature for operation | 5...40 °C |
| Ambient air temperature for storage | 5...40 °C |
| IP degree of protection | IP20 |
| IK degree of protection | IK04 |
| Environmental characteristic | Alcohol Petrol UV resistant Bleach Oil Window-cleaning fluid Acetone Liquid soap |
| Standards | EN 301-489-17 EN 60669-2-1 EN 60730-2-7 EN 300-328 |
| Directives | 2014/30/EU - electromagnetic compatibility 2014/35/EU - low voltage directive |
| Product certifications | EAC SEMKO CE NEMKO NF FIMKO VDE |

Packing Units

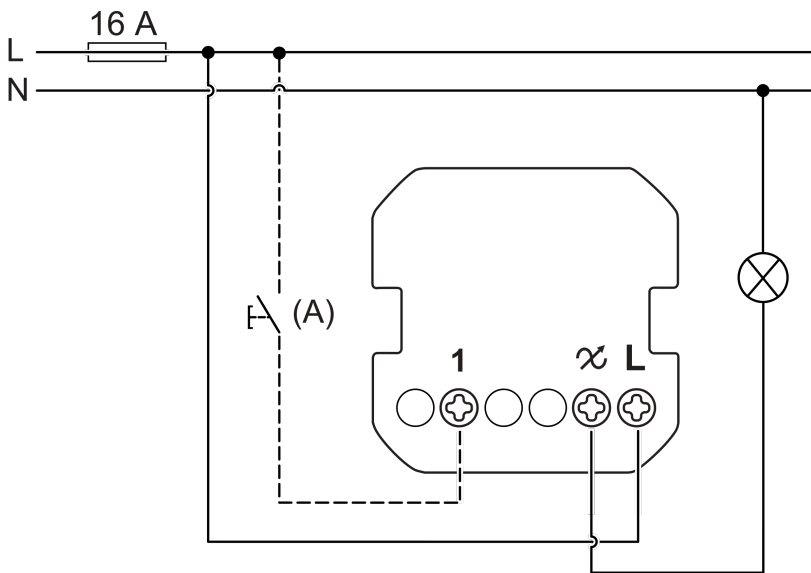
| | |
|-------------------------------------|--------|
| Unit Type of Package 1 | PCE |
| Number of Units in Package 1 | 1 |
| Package 1 Height | 7.7 cm |

| | |
|------------------------------|----------|
| Package 1 Width | 9.5 cm |
| Package 1 Length | 9.5 cm |
| Package 1 Weight | 125.0 g |
| Unit Type of Package 2 | S01 |
| Number of Units in Package 2 | 4 |
| Package 2 Height | 15 cm |
| Package 2 Width | 15 cm |
| Package 2 Length | 40 cm |
| Package 2 Weight | 665 g |
| Unit Type of Package 3 | P06 |
| Number of Units in Package 3 | 128 |
| Package 3 Height | 77 cm |
| Package 3 Width | 80 cm |
| Package 3 Length | 60 cm |
| Package 3 Weight | 29.78 kg |

Offer Sustainability

| | |
|----------------------------|---|
| Sustainable offer status | Green Premium product |
| REACH Regulation | REACH Declaration |
| EU RoHS Directive | Compliant with Exemptions |
| Mercury free | Yes |
| China RoHS Regulation | China RoHS declaration Product out of China RoHS scope. Substance declaration for your information |
| RoHS exemption information | Yes |
| Environmental Disclosure | Product Environmental Profile |
| Circularity Profile | End of Life Information |
| WEEE | The product must be disposed on European Union markets following specific waste collection and never end up in rubbish bins |

Wiring Diagram



(A) Mechanical push-button (optional)

⚡ ⚠ DANGER

HAZARD OF ELECTRIC SHOCK, EXPLOSION OR ARC FLASH

The product must be installed and connected by a qualified electrician.
A qualified electrician must demonstrate an in-depth knowledge of:

- Construction of electrical installations in buildings in accordance with IEC 60364
- Additional safety standards, local connection rules, and building regulations
- Standardized tools and measuring equipment

Failure to follow these instructions will result in death or serious injury.

Recommended replacement(s)