

Product data sheet

Specifications



Connected dimmer, New Unica, Wiser, rotary, universal, LED, anthracite

NU551854

Main

| | |
|---------------------------|--------------------|
| Product brand | Schneider Electric |
| Range | New Unica |
| Product or component type | Connected dimmer |

Complementary

| | |
|--------------------------------|---|
| Concentrator compatibility | Wiser hub generation 1 |
| Mobile App name | Wiser by SE |
| Device presentation | Mechanism with fixing frame |
| Device application | Light control |
| Dimmer type | Universal LED |
| Dimmer control | Rotary push type |
| Load type | Incandescent lamp: 14...200 W at 230 V AC Halogen lamp: 14...150 W at 230 V AC LV halogen lamps: 14...150 VA at 230 V AC (wound transformer) LED lamp: 7...100 VA at 230 V AC (RC LED mode) LED lamp: 7...20 VA at 230 V AC (RL LED mode) LV halogen lamps: 14...150 VA at 230 V AC (electronic transformer) |
| [Ue] rated operational voltage | 230 V AC 50 Hz |
| Standby consumption | Max. 0.4 W |
| Associated fuse rating | 16 A |
| Protection type | Overheating protection Automatic overload protection Short-circuit protection |
| Colour | Anthracite |
| Surface finish | Matt |
| Surface treatment | Painted |
| Number of modules | 2 modules |
| Local signalling | Programming indication: 1 LED (green/red) |
| Number of outputs | 1 |
| Control type | Local control dimming up/down control Local control automatic load detection Remote control by auxiliary push-button on/off switching Remote control by auxiliary push-button dimming up/down control Remote control on/off switching Remote control dimming up/down control Local control on/off switching |

Remote control device programming
Local control soft start

| | |
|--|--|
| Software name | Wiser App: dimming range control Wiser App: overtravel control Wiser App: program the switching time Wiser App: enable timer mode Wiser App: management of the dimming mode Wiser App: enable switch-on brightness/memory function Wiser App: enable timer mode/overtravel time Wiser App: upgrade device firmware Wiser App: load control Wiser App: define LED status Wiser App: management of trigger settings Wiser App: weekday switching Wiser App: astro function Wiser App: random function |
| Maximum number of connected devices | Zigbee: 10 (smart device) Zigbee: 15 (smart device) |
| Technology type | Zigbee 0-50 °C |
| Communication network type | Wireless Zigbee (2.4 GHz), 2.5 mW at < 50 m |
| System requirements | Android 5.1 or higher Wiser App Apple iOS 10.3 or higher Wiser App |
| Connected auxiliaries | Unlimited number of push-buttons, distance : 50 m |
| Provided equipment | User manual |
| Connections - terminals | Screw terminal |
| Number of loop terminals | 3.0 |
| Clamping connection capacity | 1.5...2.5 mm ² for solid or flexible cable(s) 1.5...2.5 mm ² for solid stranded cable(s) |
| Shape of screw head | Pozidriv No 1 and combi |
| Tightening torque | 0.5 N.m |
| Material | PC (polycarbonate) GF10 FR: casing Metal: terminals Thermoplastic ABS-UV stabilised: central plate |
| Mounting support | Flush |
| Device mounting | Flush |
| Fixing mode | By screws |
| Type of installation | Indoor installation |
| Quantity per set | Set of 1 box |
| Embedding depth | 29 mm |
| Depth | 48 mm |
| Width | 74.5 mm |
| Height | 74.5 mm |
| Net weight | 0.08 kg |
| Resistance to chemical agents | Resistant to alcohol (70 %) Resistant to alcohol (96 %) Resistant to A-Lactic Acid Resistant to diluted quaternary ammonium Resistant to diluted bleach Resistant to diluted ammonia Resistant to soapy water Resistant to crystal cleaner Resistant to hydrogen peroxide 10 volumes Resistant to hexane |

Environment

| | |
|--|-----------|
| Ambient air temperature for operation | 5...40 °C |
| Ambient air temperature for storage | 5...40 °C |

| | |
|-------------------------------------|--|
| IP degree of protection | IP20 |
| IK degree of protection | IK04 |
| Environmental characteristic | Indoor use |
| Standards | EN 60669-2-1 EN 301-489-17 EN 300-328 EN 60730-2-7 |
| Directives | 2014/30/EU - electromagnetic compatibility 2014/35/EU - low voltage directive |
| Product certifications | NF EAC FIMKO CE VDE SEMKO NEMKO |

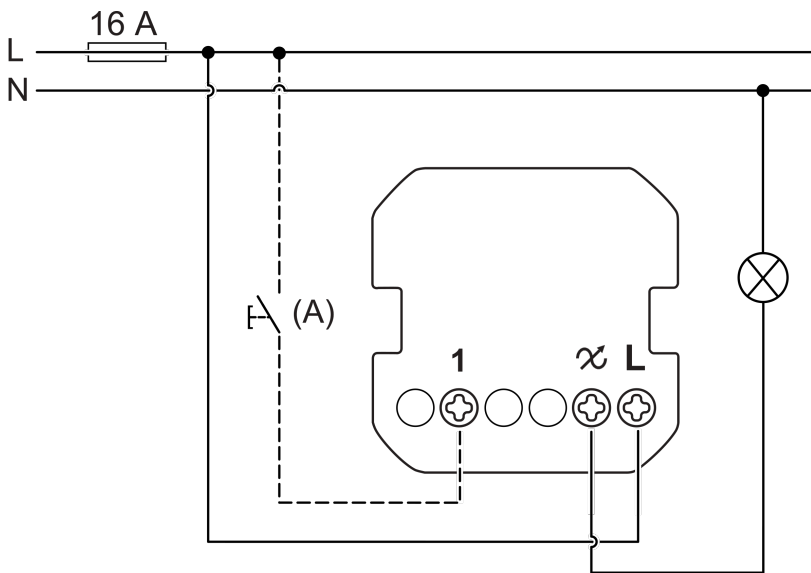
Packing Units

| | |
|-------------------------------------|-----------|
| Unit Type of Package 1 | PCE |
| Number of Units in Package 1 | 1 |
| Package 1 Height | 7 cm |
| Package 1 Width | 9.5 cm |
| Package 1 Length | 9.5 cm |
| Package 1 Weight | 129.5 g |
| Unit Type of Package 2 | S02 |
| Number of Units in Package 2 | 9 |
| Package 2 Height | 15 cm |
| Package 2 Width | 30 cm |
| Package 2 Length | 40 cm |
| Package 2 Weight | 1.481 kg |
| Unit Type of Package 3 | P06 |
| Number of Units in Package 3 | 144 |
| Package 3 Height | 77 cm |
| Package 3 Width | 60 cm |
| Package 3 Length | 80 cm |
| Package 3 Weight | 32.188 kg |

Offer Sustainability

| | |
|-----------------------------------|---|
| Sustainable offer status | Green Premium product |
| REACH Regulation | REACH Declaration |
| EU RoHS Directive | Compliant with Exemptions |
| Mercury free | Yes |
| China RoHS Regulation | China RoHS declaration Product out of China RoHS scope. Substance declaration for your information |
| RoHS exemption information | Yes |
| Environmental Disclosure | Product Environmental Profile |
| Circularity Profile | End of Life Information |

Wiring Diagram



(A) Mechanical push-button (optional)

⚡ ⚠ DANGER

HAZARD OF ELECTRIC SHOCK, EXPLOSION OR ARC FLASH

The product must be installed and connected by a qualified electrician.
A qualified electrician must demonstrate an in-depth knowledge of:

- Construction of electrical installations in buildings in accordance with IEC 60364
- Additional safety standards, local connection rules, and building regulations
- Standardized tools and measuring equipment

Failure to follow these instructions will result in death or serious injury.

Recommended replacement(s)