

Product data sheet

Specifications



Emergency light, New Unica, 230V, 2 modules, white

NU3776

Main

Range	New Unica
Product or component type	Emergency light
Device presentation	Mechanism with central plate
[Ue] rated operational voltage	230 V AC +/- 10 % at 50 Hz
Number of modules	2 modules
Fixing mode	Clip-in
Colour tint	White (RAL 9003)
Main colour tint	White

Complementary

Condition of use	Battery and bulb cannot be replaced
Light block colour	Green
Bulb type	LED
Bulb lifespan	400 h
Illuminance	25 cm: 45 lux
Connections - terminals	Screw terminals
Clamping connection capacity	<= 2 x 2.5 mm ² for flexible cable(s) <= 2 x 2.5 mm ² for rigid cable(s)
Charging time	24 h
Electrical durability	500 cycles
Material	PC: mechanism cover PC (polycarbonate) GF10 FR: casing
Standards	EN 60598-2-22 CE
Directives	2014/35/EU - low voltage directive
Ambient air temperature for operation	5...45 °C
Ambient air temperature for storage	-5...50 °C
Embedding depth	32 mm
Depth	43 mm
Width	45 mm

Height	45 mm
Net weight	0.085 kg
Resistance to chemical agents	Resistant to alcohol (70 %) Resistant to alcohol (96 %) Resistant to A-Lactic Acid Resistant to diluted quaternary ammonium Resistant to diluted bleach Resistant to diluted ammonia Resistant to soapy water Resistant to crystal cleaner Resistant to hydrogen peroxide 10 volumes Resistant to hexane

Environment

IK degree of protection	IK03
IP degree of protection	IP2XC

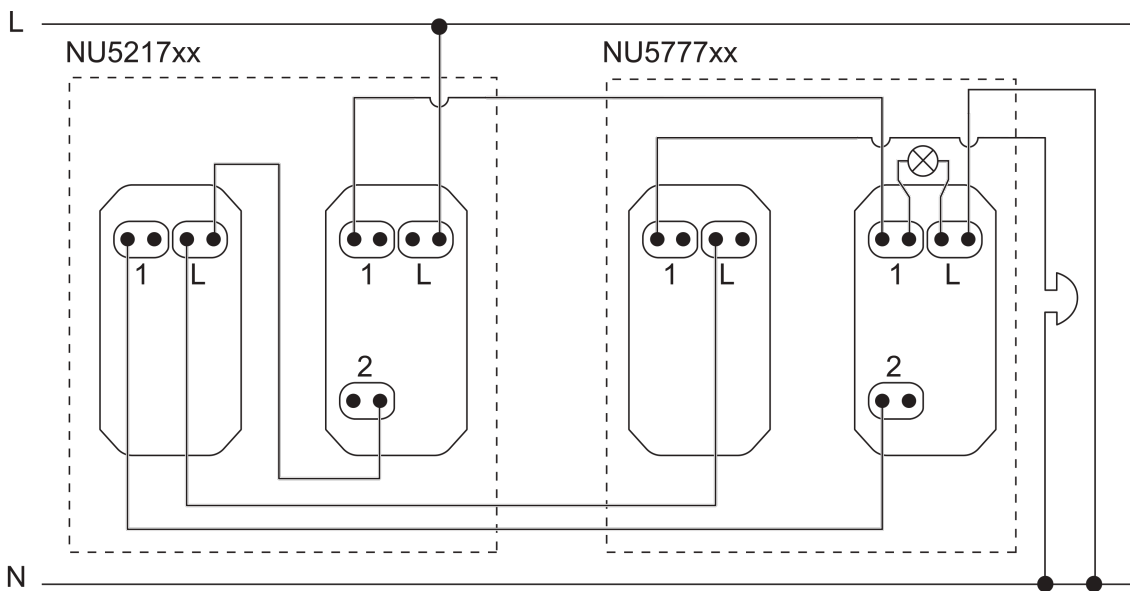
Packing Units

Unit Type of Package 1	PCE
Number of Units in Package 1	1
Package 1 Height	6.4 cm
Package 1 Width	8.0 cm
Package 1 Length	8.6 cm
Package 1 Weight	80.0 g
Unit Type of Package 2	S02
Number of Units in Package 2	27
Package 2 Height	15.0 cm
Package 2 Width	30.0 cm
Package 2 Length	40.0 cm
Package 2 Weight	2.464 kg

Offer Sustainability

Sustainable offer status	Green Premium product
REACH Regulation	REACH Declaration
REACH free of SVHC	Yes
EU RoHS Directive	Compliant EU RoHS Declaration
Toxic heavy metal free	Yes
Mercury free	Yes
Sustainable packaging	Yes
China RoHS Regulation	China RoHS declaration Pro-active China RoHS declaration (out of China RoHS legal scope)
RoHS exemption information	Yes
Circularity Profile	No need of specific recycling operations

Wiring Diagram



⚡ ⚠ DANGER

HAZARD OF ELECTRIC SHOCK, EXPLOSION OR ARC FLASH

The product must be installed and connected by a qualified electrician.
A qualified electrician must demonstrate an in-depth knowledge of:

- Construction of electrical installations in buildings in accordance with IEC 60364
- Additional safety standards, local connection rules, and building regulations
- Standardized tools and measuring equipment

Failure to follow these instructions will result in death or serious injury.

Recommended replacement(s)