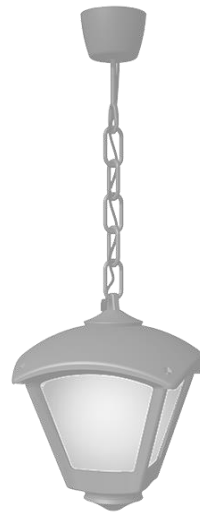


# ELMARK<sup>®</sup>

The Brand of Electricity

## GARDEN LIGHTING- SERIES DARIO



## GENERAL INFORMATION »

- ∴ Rated voltage: 230 V
- ∴ Lamp holder: E27
- ∴ Number of lamps: 1
- ∴ Color of the body: Black + Clear; Grey + Clear Diffuser
- ∴ Type of material: Resin+ PMMA
- ∴ Installation: Surface mounting
- ∴ Protection level: IP55
- ∴ UV resistant

## APPLICATION »

- ∴ For the external lighting of the facade, terrace, veranda and garden in your stylish home, villa, hotel, and restaurant

## PRODUCT DETAILS »

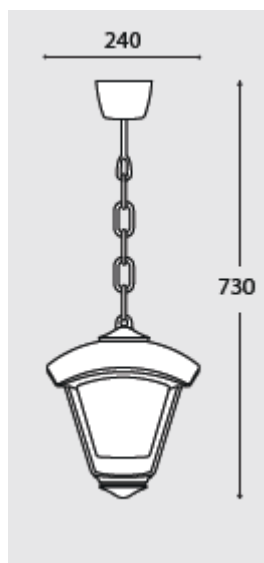
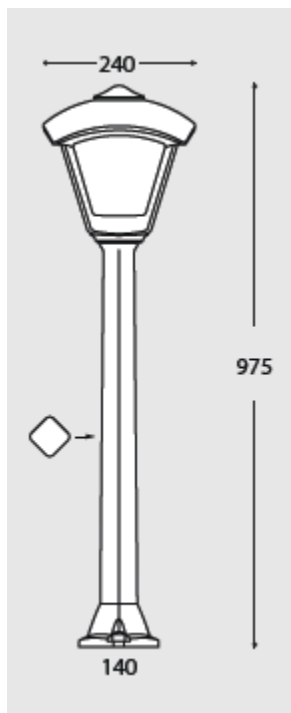
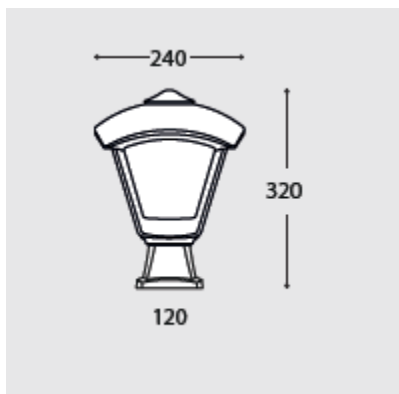
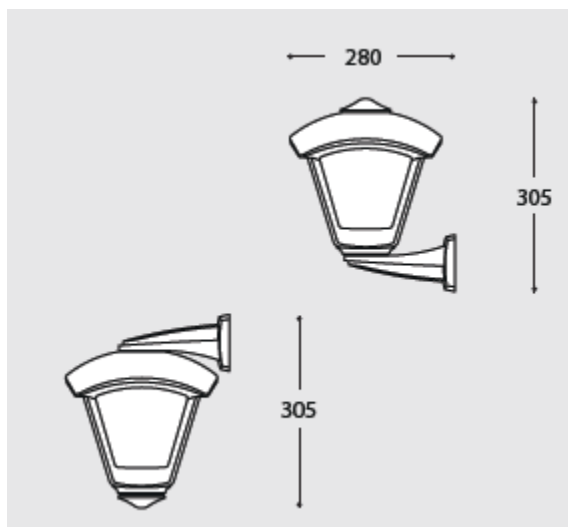
Catalogue number	Description	Lamp holder	Colour body	Power	Lumen	Type LED bulb
96DARIO250W/BL	Wall lamp	1xE27	Black + Clear Diffuser	Max:40w	-	*
96DARIO250W/GR	Wall lamp	1xE27	Grey + Clear Diffuser	Max:40w	-	*
96DARIO250P/BL	Hanging lamp	1xE27	Black + Clear Diffuser	Max:40w	-	*
96DARIO250P/GR	Hanging lamp	1xE27	Grey + Clear Diffuser	Max:40w	-	*
96DARIO250MF/BL	Floor lamp	1xE27	Black + Clear Diffuser	Max:40w	-	*
96DARIO250MF/GR	Floor lamp	1xE27	Grey + Clear Diffuser	Max:40w	-	*
96DARIO250M/BL	Floor lamp	1xE27	Black + Clear Diffuser	**8.5WCCT	969	PEAR A60
96DARIO250M/GR	Floor lamp	1xE27	Grey + Clear Diffuser	**8.5WCCT	969	PEAR A60

\* Lamps Not Included

\*\*Lamp is settable 3000K-4000K-6500K

# TECHNICAL SPECIFICATION SHEET

## DIMENSIONS »



# TECHNICAL SPECIFICATION SHEET

Catalogue number	Product size (mm)
96DARIO250W/BL	H:305/W:280
96DARIO250W/GR	H:305/W:280
96DARIO250P/BL	H:730/W:240
96DARIO250P/GR	H:730/W:240
96DARIO250MF/BL	H:320/W:240
96DARIO250MF/GR	H:320/W:240
96DARIO250M/BL	H:975/W:240
96DARIO250M/GR	H:975/W:240

