

ELMARK[®]

The Brand of Electricity

HIGH POWER LED PROFILES S48

SERIES- RECESSED MOUNTING



GENERAL INFORMATION »

- ∴ Rated voltage: 230V/ 50-60Hz
- ∴ Power: 20W; 40W; 50W
- ∴ Power supply: 42V SELV driver
- ∴ Colour temperature: 4000K
- ∴ Type of LED: SMD
- ∴ Light Source: SAMSUNG
- ∴ Colour: White; Black; Grey
- ∴ Body: Aluminium
- ∴ Reflector: Polycarbonate (PC)
- ∴ Clamps: Inox
- ∴ Beam angle: 90°
- ∴ Colour rendering index: Ra≥80
- ∴ Switch on/off: >15 000
- ∴ Long life: 20 000h
- ∴ Protection against dust and moisture: IP40
- ∴ Available in variant with an emergency kit

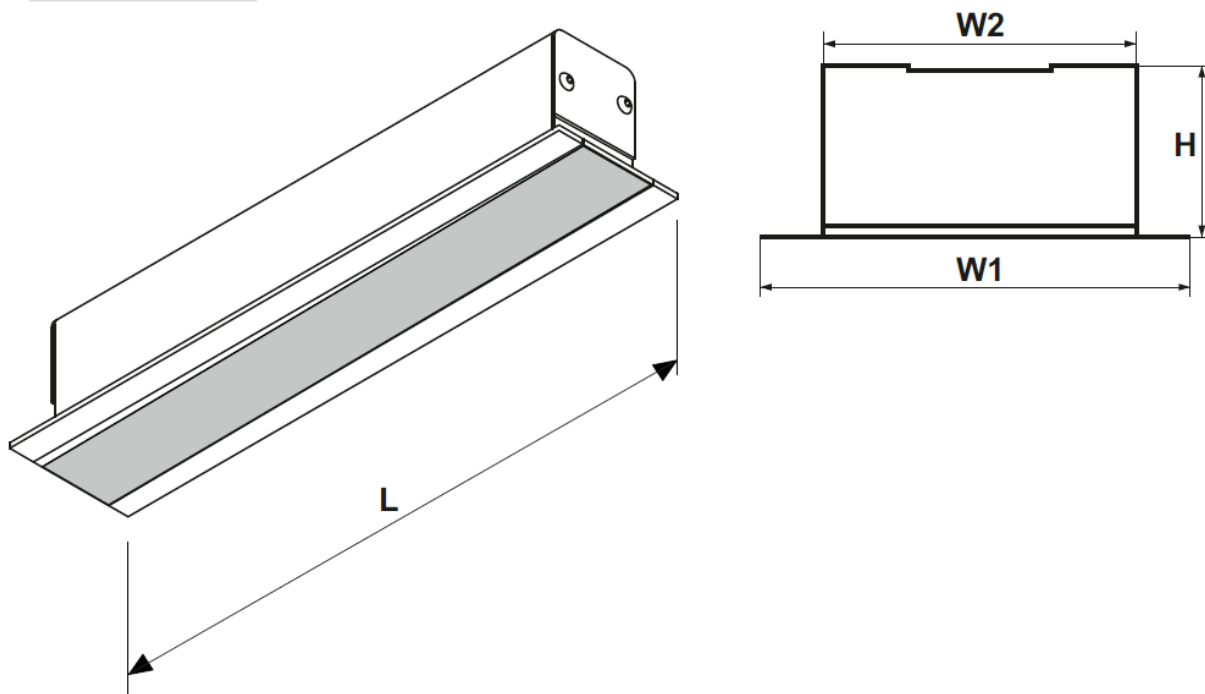
FEATURES »

- ∴ Elegant and practical luminaires
- ∴ Pleasant and uniform light distribution
- ∴ Best alternate For LED tubelites with decorative and aesthetic look
- ∴ Low power consumption
- ∴ Repeated switch on/off does not affect the lifespan
- ∴ Instant light with maximum luminous flux
- ∴ Environmentally friendly - no mercury and lead
- ∴ No ultraviolet and infrared rays
- ∴ Resistant to shock and vibration-free body
- ∴ Low heat emission
- ∴ Suitable for commercial sites, residence buildings, banks, offices

PRODUCT DETAILS »

Catalogue number	Catalogue number with Emergency kit	Colour	Watt (W)	Whole fixture lumens (lm)	Colour temp. (K)
99FM604020/BL	99FM604020/BLE	Black	20	1600	4000
99FM1204040/BL	99FM1204024/BLE	Black	40	3200	4000
99FM1504050/BL	99FM1504032/BLE	Black	50	4000	4000
99FM604020/WH	99FM604020/WHE	White	20	1600	4000
99FM1204040/WH	99FM1204040/WHE	White	40	3200	4000
99FM1504050/WH	99FM1504050/WHE	White	50	4000	4000
99FM604020/GR	99FM604020/GRE	Grey	20	1600	4000
99FM1204040/GR	99FM1204040/GRE	Grey	40	3200	4000
99FM1504050/GR	99FM1504050/GRE	Grey	50	4000	4000

DIMENSIONS »



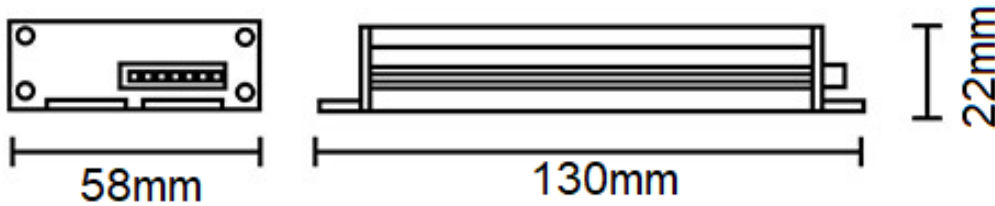
Model	Length (mm)	Width 1 (mm)	Width 2 (mm)	Height (mm)
20W	600	70	47.8	22.4
40W	1200	70	47.8	22.4
50W	1500	70	47.8	22.4

LED EMERGENCY KIT SPECIFICATIONS »

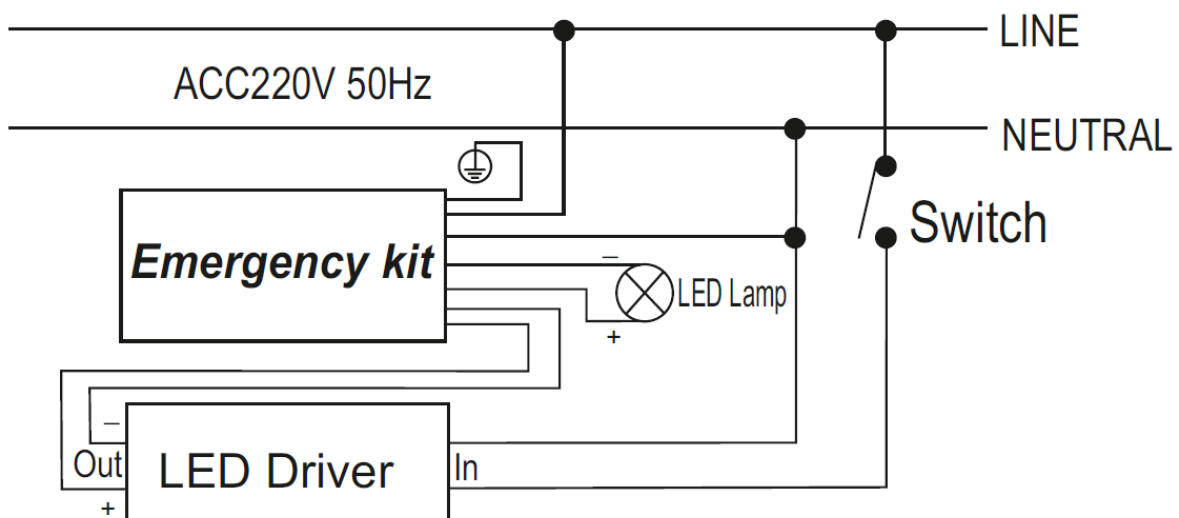


General information »

- ∴ Voltage: AC85-265V 50Hz
- ∴ Emergency Output: 3-40W
- ∴ Emergency Time: 2hrs (120mins)
- ∴ Battery: 3.7V 2400mAh
- ∴ Emergency Switching Time: <2s
- ∴ AC Fuse: 250V 1A
- ∴ DC Fuse: 250V 5A
- ∴ Luminous Flux: >100lm
- ∴ Light Source: LED
- ∴ Working temperature: -10°C +55°C
- ∴ IP Rate: IP30




Wiring diagram




● - It indicates the connection ● Red = Charging ● Blue = Emergency ● Green = Power

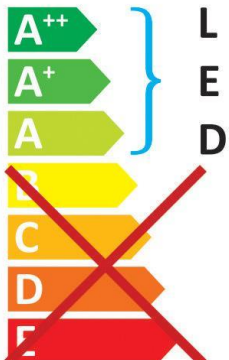
ADDITIONAL INFORMATION »



99FM604020/BL



This luminaire contains built-in LED lamps.



}


L

E

D

The lamps cannot be changed in the luminaire.

874/2012



Catalogue number	Packing/Box (pcs)
99FM604020/BL	1/1
99FM1204040/BL	1/1
99FM1504050/BL	1/1
99FM604020/WH	1/1
99FM1204040/WH	1/1
99FM1504050/WH	1/1
99FM604020/GR	1/1
99FM1204040/GR	1/1
99FM1504050/GR	1/1

