



DATASHEET: TT2402438

Three-phase dry-type tropicalized power transformer

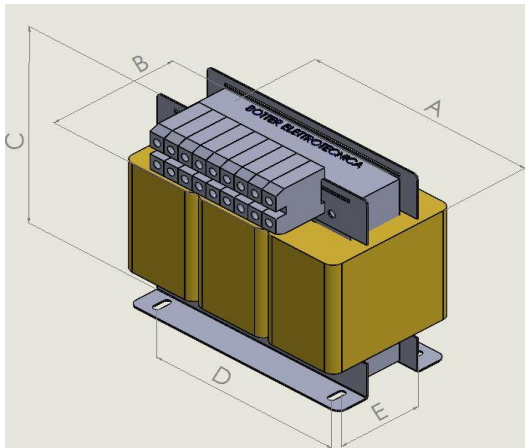
ELECTRICAL DATA

Power	40 kVA
Frequency	50/60 Hz
Group	Dyn11
Input	400 V
Output	230 V
Winding separation	Double insulation
Winding material	Copper
Vcc (*)	10,6 V
Vcc % (*)	2,7 %
(*) not-final values	

SAFETY AND AMBIENT DATA

IP rating	IP00
Ambient temperature	35 °C
Insulation class	H
Thermal class	H
Cooling	AN
Core losses (*)	lower than 200 W
Winding losses (*)	lower than 1100 W
Standards	EN 60076-11
Mark	CE / UKCA / EAC /

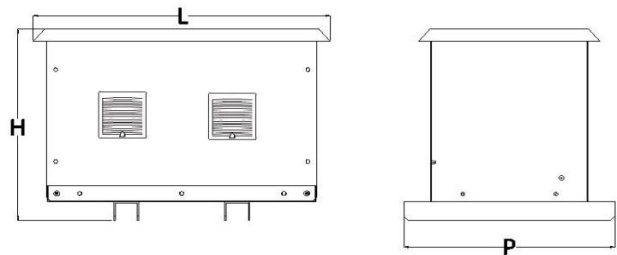
Transformer features



Dimensions [mm]

A	B	C	D	E	Weight
480	340	480	425	204	210 kg

Box features (mod. BOX7080IP54)



Dimensions [mm]

L	P	H	Weight
760	575	650	40 kg

International Protection: IP54

RAL 7035

Weight and size quotes are provisional values, to be defined after order

HS code: 85043300