



## DATASHEET: TT2402439

### Three-phase dry-type tropicalized power transformer

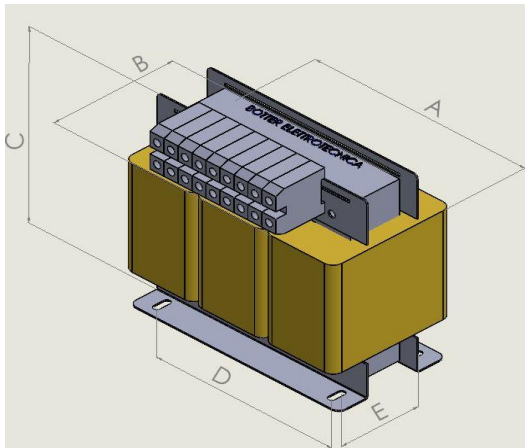
#### ELECTRICAL DATA

<b>Power</b>	<b>40 kVA</b>
Frequency	50/60 Hz
Group	Dyn11
<b>Input</b>	<b>400 V</b>
<b>Output</b>	<b>230 V</b>
Winding separation	Double insulation
Winding material	Aluminium
Vcc (*)	12,6 V
Vcc % (*)	3,2 %
(*) not-final values	

#### SAFETY AND AMBIENT DATA

IP rating	IP00
Ambient temperature	35 °C
Insulation class	H
Thermal class	H
Cooling	AN
Core losses (*)	lower than 250 W
Winding losses (*)	lower than 1300 W
Standards	EN 60076-11
Mark	CE / UKCA / EAC /

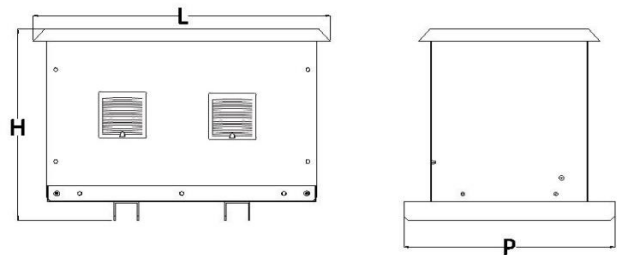
Transformer features



Dimensions [mm]

A	B	C	D	E	Weight
600	375	600	400/550	190	210 kg

Box features (mod. BOX90100IP54)



Dimensions [mm]

L	P	H	Weight
960	765	850	70 kg

International Protection: IP54

RAL 7035

Weight and size quotes are provisional values, to be defined after order

**www.MATERIALE ELETTRICE.ro**  
Consigliere specializzata

HS code: 85043300

Botter Elettrotecnica S.r.l. - Strada della Serenissima, 12 – 31057 Silea (TV) Italy  
Ph. +39 0422 361003 – <http://www.botter.com> – [info@botter.com](mailto:info@botter.com)