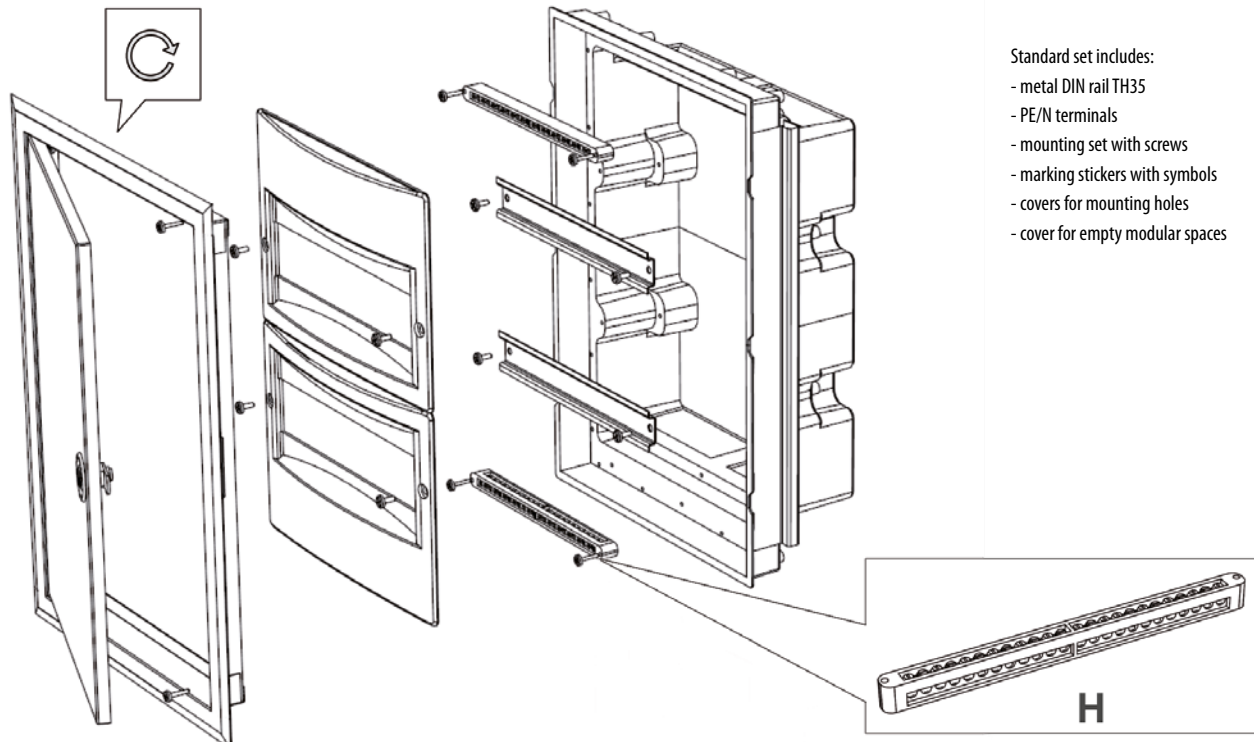


Flush mounted distribution boards with metal doors (IP40) DIDO ERP

Technical data	
Protection against mechanical impacts	IK08
Rated voltage	500V
Protection class	II
Standard	PN-EN 62208:2011

Not for hollow or wooden walls, flush mounted material conforms 650°C glow wire test only!

Assembly

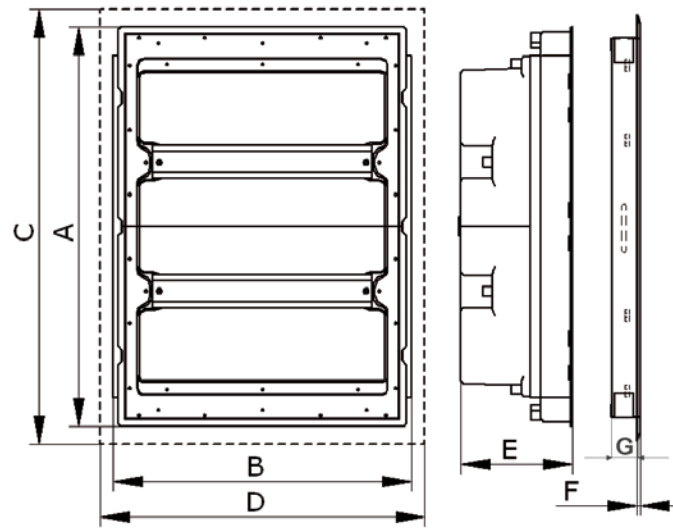


- Standard set includes:
- metal DIN rail TH35
 - PE/N terminals
 - mounting set with screws
 - marking stickers with symbols
 - covers for mounting holes
 - cover for empty modular spaces

H

Technical data

Dimensions



	A	B	C	D	E	F	G	H
ERP12-1	270 mm	288 mm	306 mm	326 mm	113 mm	4 mm	25 mm	2 x 5
ERP12-2	412 mm	288 mm	448 mm	326 mm	120 mm	4 mm	25 mm	2x11
ERP12-3	548 mm	288 mm	584 mm	326 mm	120 mm	4 mm	25 mm	4x11
ERP12-4	684 mm	288 mm	720 mm	326 mm	120 mm	4 mm	25 mm	4x11
ERP12-5	809 mm	288 mm	845 mm	326 mm	120 mm	4 mm	25 mm	6x12, 1x24
ERP12-6	943 mm	288 mm	980 mm	326 mm	120 mm	4 mm	25 mm	6x12, 1x24
ERP18-1	275 mm	418 mm	306 mm	451 mm	120 mm	6 mm	25 mm	2x11
ERP18-2	407 mm	418 mm	447 mm	451 mm	120 mm	6 mm	25 mm	3x11
ERP18-3	541 mm	418 mm	581 mm	451 mm	120 mm	6 mm	25 mm	3x11, 1x24
ERP18-4	675 mm	418 mm	715 mm	451 mm	120 mm	6 mm	25 mm	4x11, 1x24
ERP18-5	809 mm	418 mm	849 mm	451 mm	120 mm	6 mm	25 mm	5x11, 2x24
ERP18-6	943 mm	418 mm	983 mm	451 mm	120 mm	6 mm	25 mm	6x11, 2x24
ERP24-2	465 mm	542 mm	507 mm	575 mm	120 mm	6 mm	25 mm	1x24, 2x11
ERP24-3	600 mm	542 mm	642 mm	575 mm	120 mm	6 mm	25 mm	1x24, 3x11
ERP24-4	735 mm	542 mm	777 mm	575 mm	120 mm	6 mm	25 mm	2x24, 4x11
ERP24-5	870 mm	542 mm	912 mm	575 mm	120 mm	6 mm	25 mm	3x24, 4x11
ERP24-6	1005 mm	542 mm	1047 mm	575 mm	120 mm	6 mm	25 mm	3x24, 4x11

Distribution boards DIDO ACT

DIDO ACT	
Material	ABS
Color	RAL9003
Door	styrene acrylonitrile
Color	Transparent & white
Glow wire test	650°C
Terminal holder	Self extinguish material (Glow wire test: 960°C)
Temperature	-25°C ... +60°C
Rated voltage	AC400V
Standard	IEC 62208, IEC 60670-1, IEC60670-24
Halogen free	✓