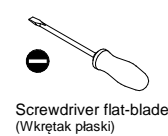
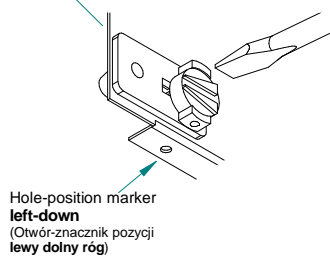
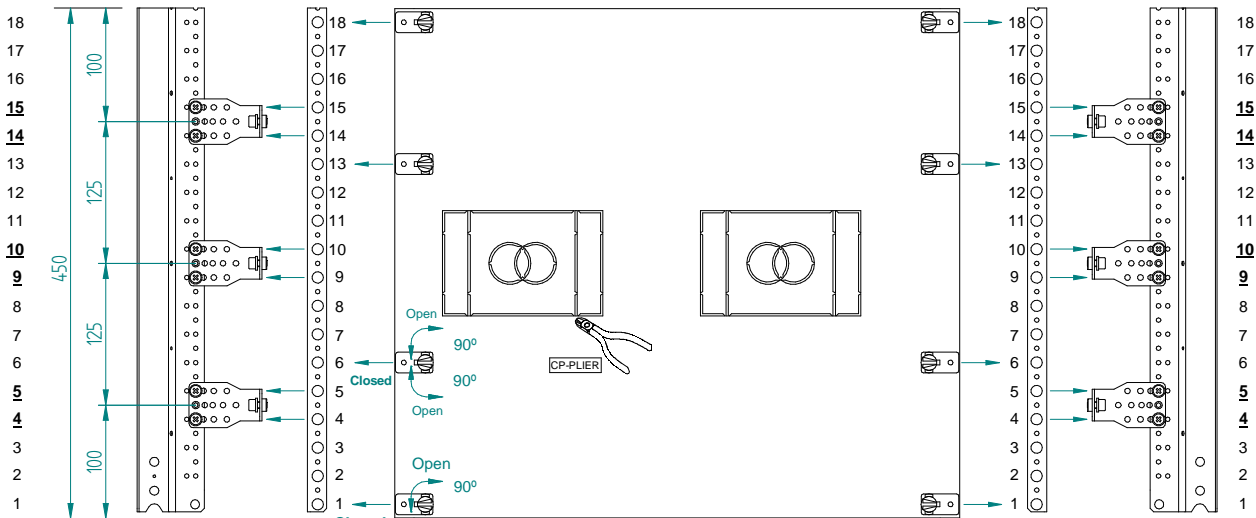
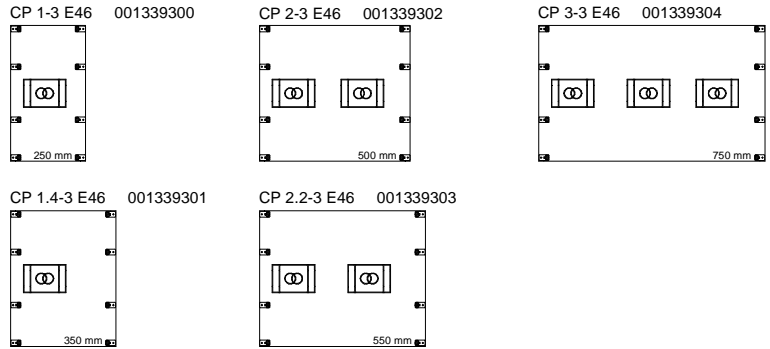


CP X-3 E46

cover for **EB2/ED2 400/630 3P/4P**
(osłony do **EB2/ED2 400/630 3P/4P**)



- (GB) Mounting instructions
- (DE) Montageanleitung
- (SI) Navodilo za montažo
- (PL) Instrukcje montażu
- (HR) Upute za montažu
- (CZ) Montážní návod
- (SK) Navod na montáž
- (HU) Szereles utmutató
- (LT) Montavimo instrukcija
- (RU) Инструкция за монтаж
- (LV) Montāžas instrukcija
- (EST) Paigaldusjuhend

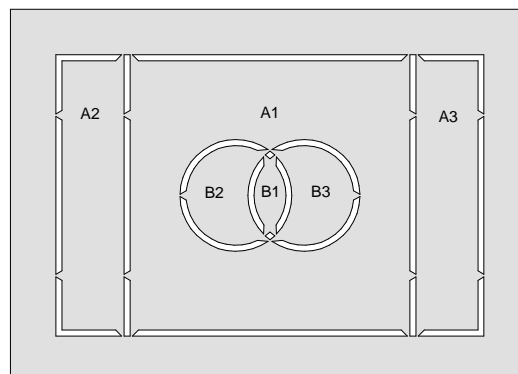


Position 1 cut out / remove
(wyciąć / usunąć)

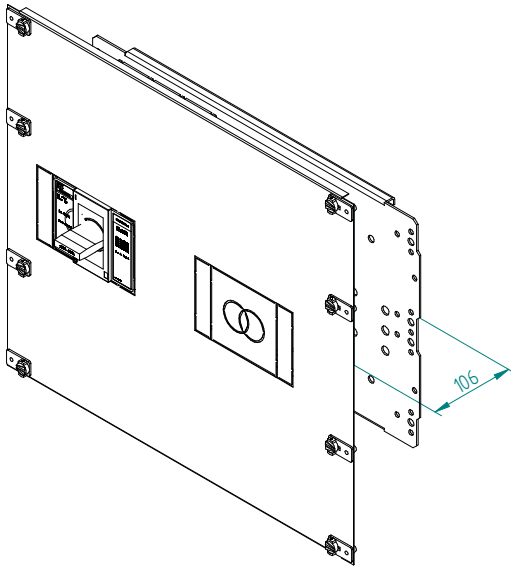
EB2/ED2 400/630A 3P - **A1, A3**
EB2/ED2 400/630A 4P - **A1, A2**

Position 2 cut out / remove
(wyciąć / usunąć)

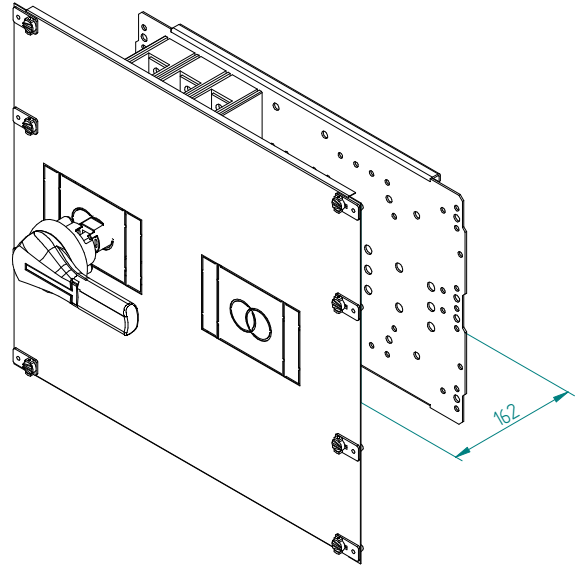
EB2/ED2 400/630A 3P + RD - **B1, B3**
EB2/ED2 400/630A 4P + RD - **B1, B2**



Position 1



Position 2

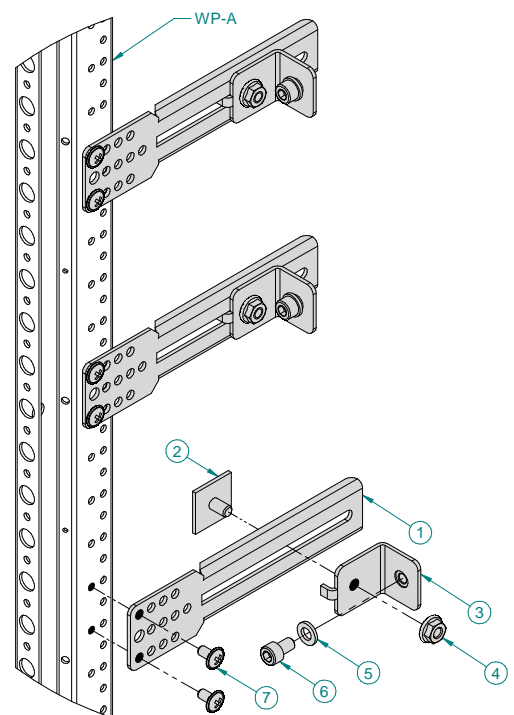
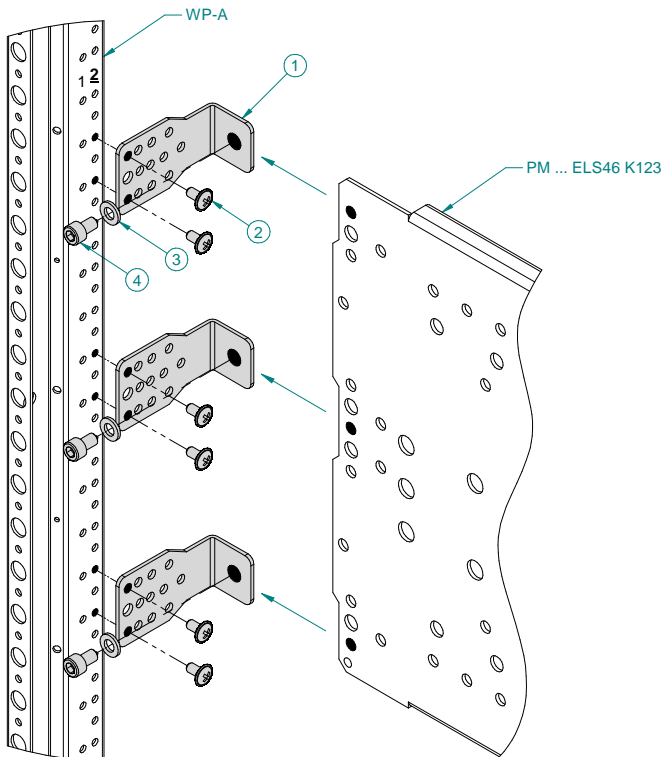


LG-V6-B SET x 3
001341151

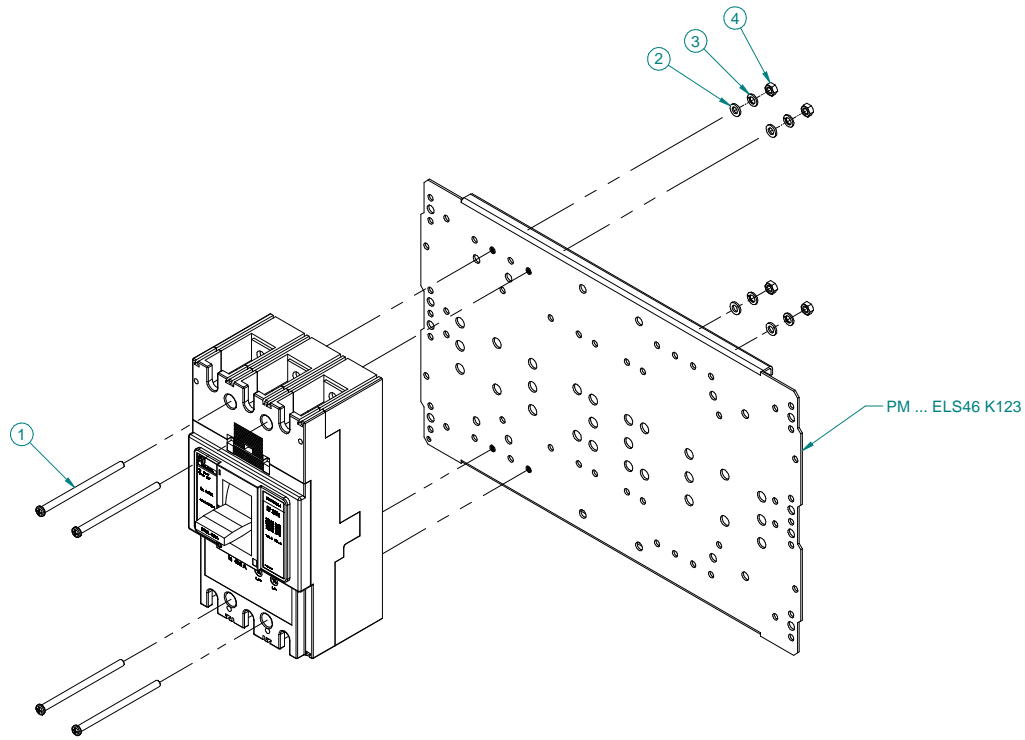
LG-V6-B SET				
No.	Type ETI	Name	Pcs.	
1	LG-V6-B-C	Support	2	
2	AST 4.8x9.5	Tapping screw	6	
3	AW-RE 6	Washer M6 DIN9021 Zn	2	
4	AS-SH 6x10	Screw M6x10 DIN912	2	

LG-V6R-B SET x 3
001341201

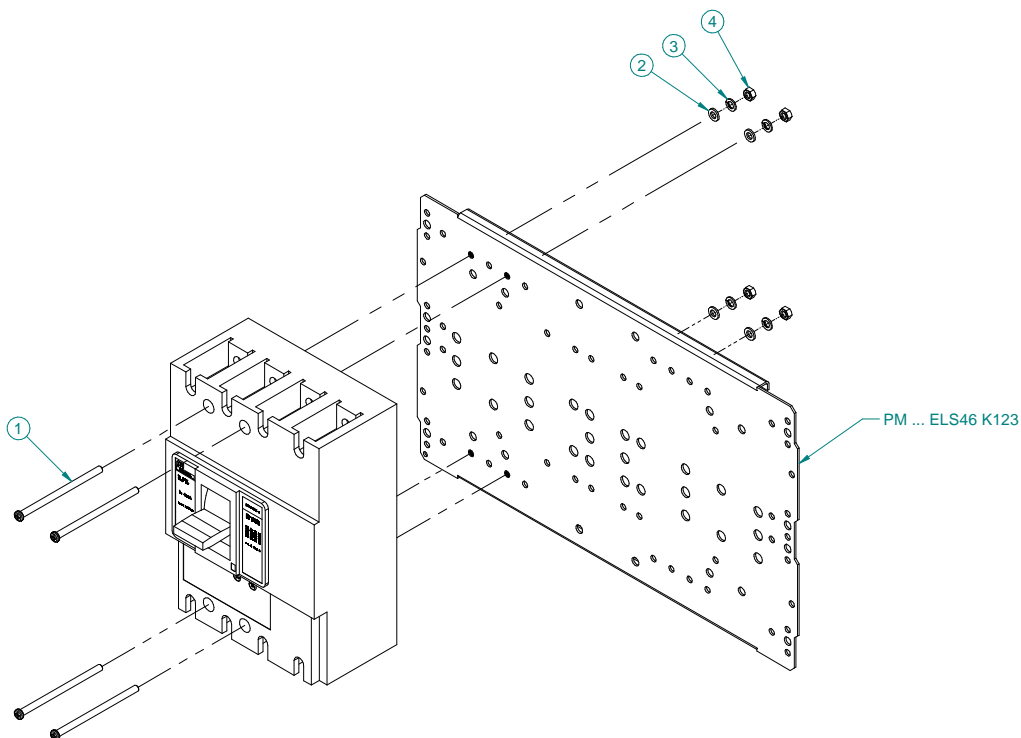
LG-V6R-B SET				
No.	Type ETI	Name	Pcs.	
1	LG-V6R-B	Support	2	
2	LG-V6R-KK	Support	2	
3	LG-V6R-LN	Support	2	
4	AN-FSH 6	Nut flange serat M6 DIN6923 Zn	2	
5	AW-RE 6	Washer M6 DIN9021 Zn	2	
6	AS-SH 6x10	Screw M6x10 DIN912	2	
7	AST 4.8x9.5	Tapping screw	6	



No.	Type ETI	Name	Pcs.
1	Included with EB2/ED2	Screw M6x100 DIN7985 Zn	4
2	AW-R 6	Washer M6 DIN126 Zn	4
3	AW-S 6	Washer spring M6 DIN127 Zn	4
4	AN-H 6	Nut M6 DIN934 Zn	4



No.	Type ETI	Name	Pcs.
1	Included with EB2/ED2	Screw M6x100 DIN7985 Zn	4
2	AW-R 6	Washer M6 DIN126 Zn	4
3	AW-S 6	Washer spring M6 DIN127 Zn	4
4	AN-H 6	Nut M6 DIN934 Zn	4

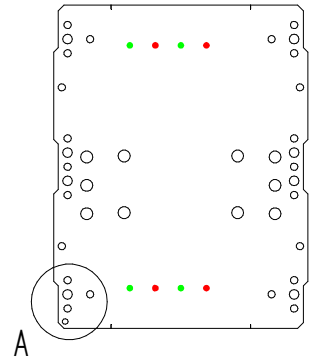


Breakers (EB) and switch disconnectors (ED) montage in specified holes (colour points)

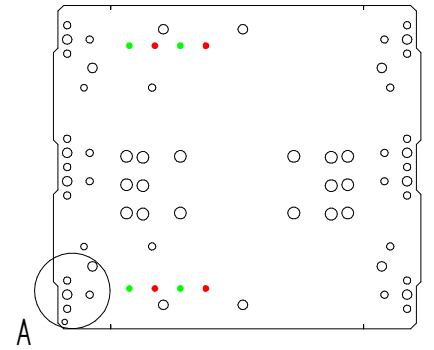
(Wyłączniki (EB) i rozłączniki (ED) montować w otworach oznaczonych odpowiednimi kolorami)

- EB2/ED2 400/630 3P
- EB2/ED2 400/630 4P

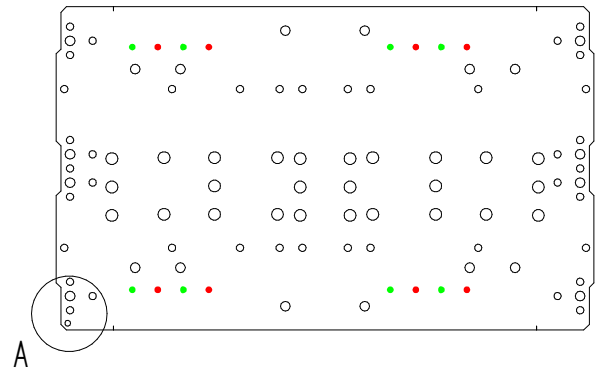
PM 1 ELS46 K123



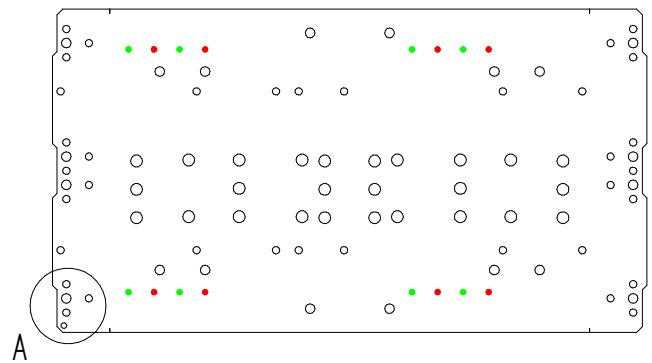
PM 1.4 ELS46 K123



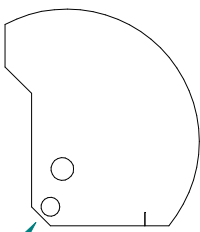
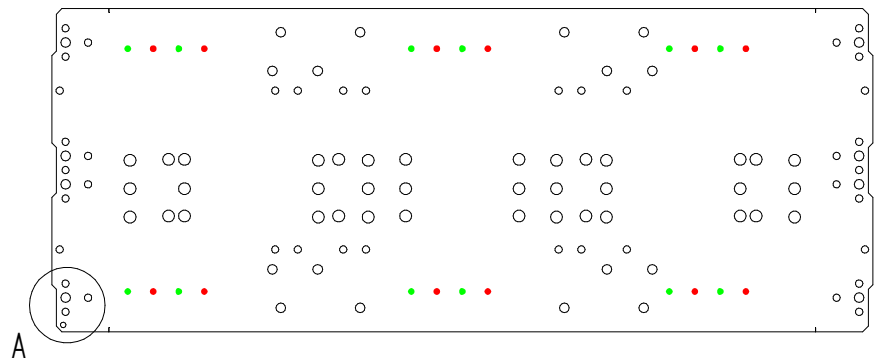
PM 2 ELS46 K123



PM 2.2 ELS46 K123



PM 3 ELS46 K123



Hole-position marker
left-down
(Otwór-znacznik pozycji
lewy dolny róg)