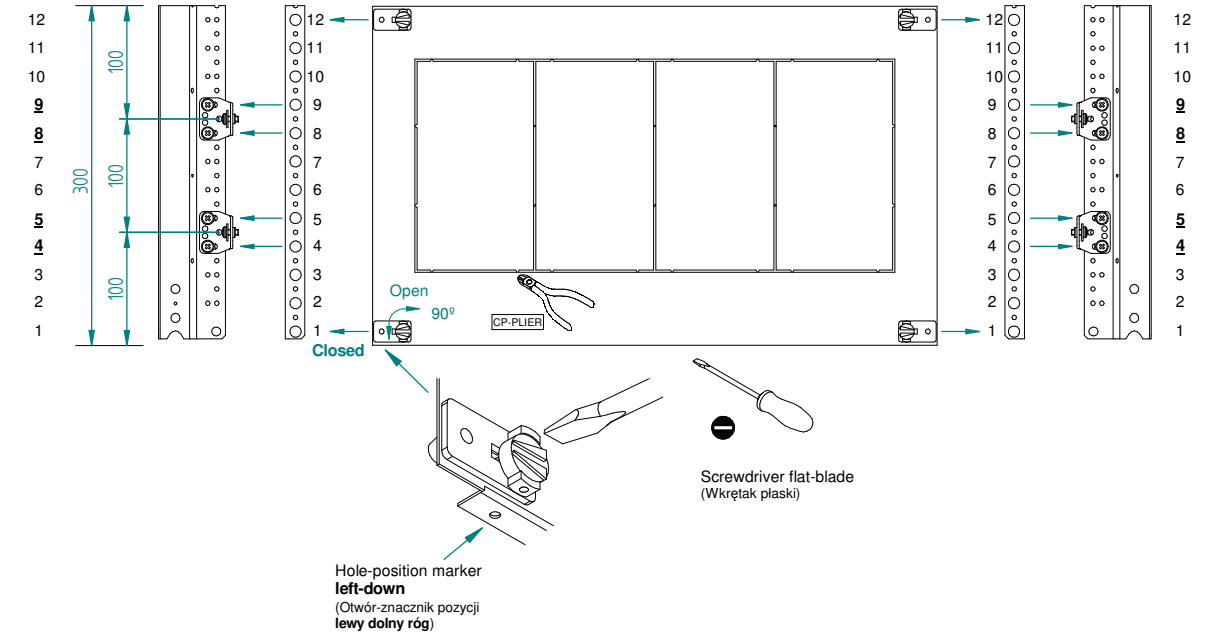
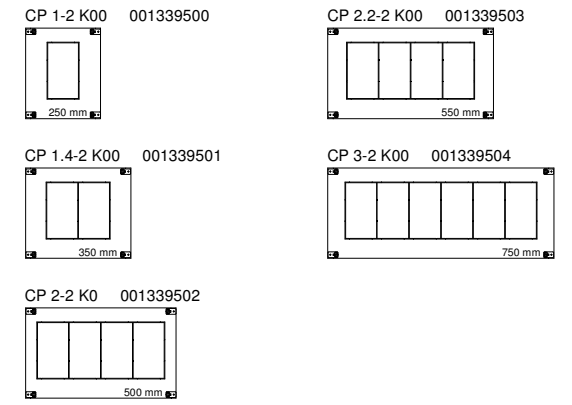


CP X-2 K00 cover for KVL 00
(osłony do KVL 00)



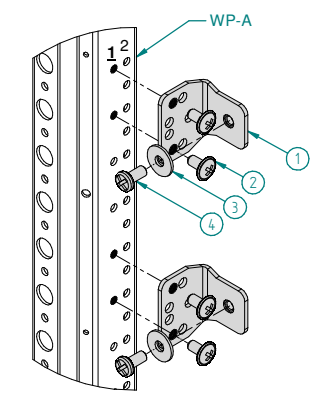
- (GB) Mounting instructions
- (DE) Montage anleitung
- (SI) Navodilo za montažo
- (PL) Instrukcje montażu
- (HR) Upute za montažu
- (CZ) Montážní návod
- (SK) Navod na montáž
- (HU) Szerelesí utmutató
- (LT) Montavimo instrukcija
- (RU) Инструкция за монтаж
- (LV) Montāžas instrukcija
- (EST) Paigaldusjuhend



LG-V SET x 2
001101683

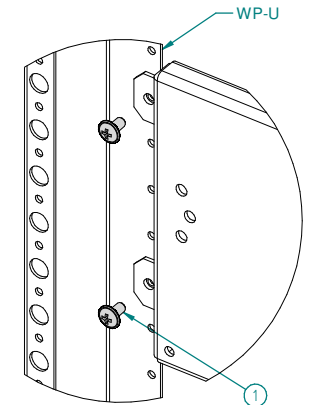
LG-V SET			
No.	Type ETI	Name	Pcs.
1	LG-V	Support	2
2	AST 4.8x9.5	Tapping screw	4
3	AW-RE 5	Washer M5 DIN9021 Zn	2
4	AS-C 5x10	Screw M5x10 DIN7985 Zn	2

WP-U			
No.	Type ETI	Name	Pcs.
1	AST 4.8x9.5	Tapping screw	4

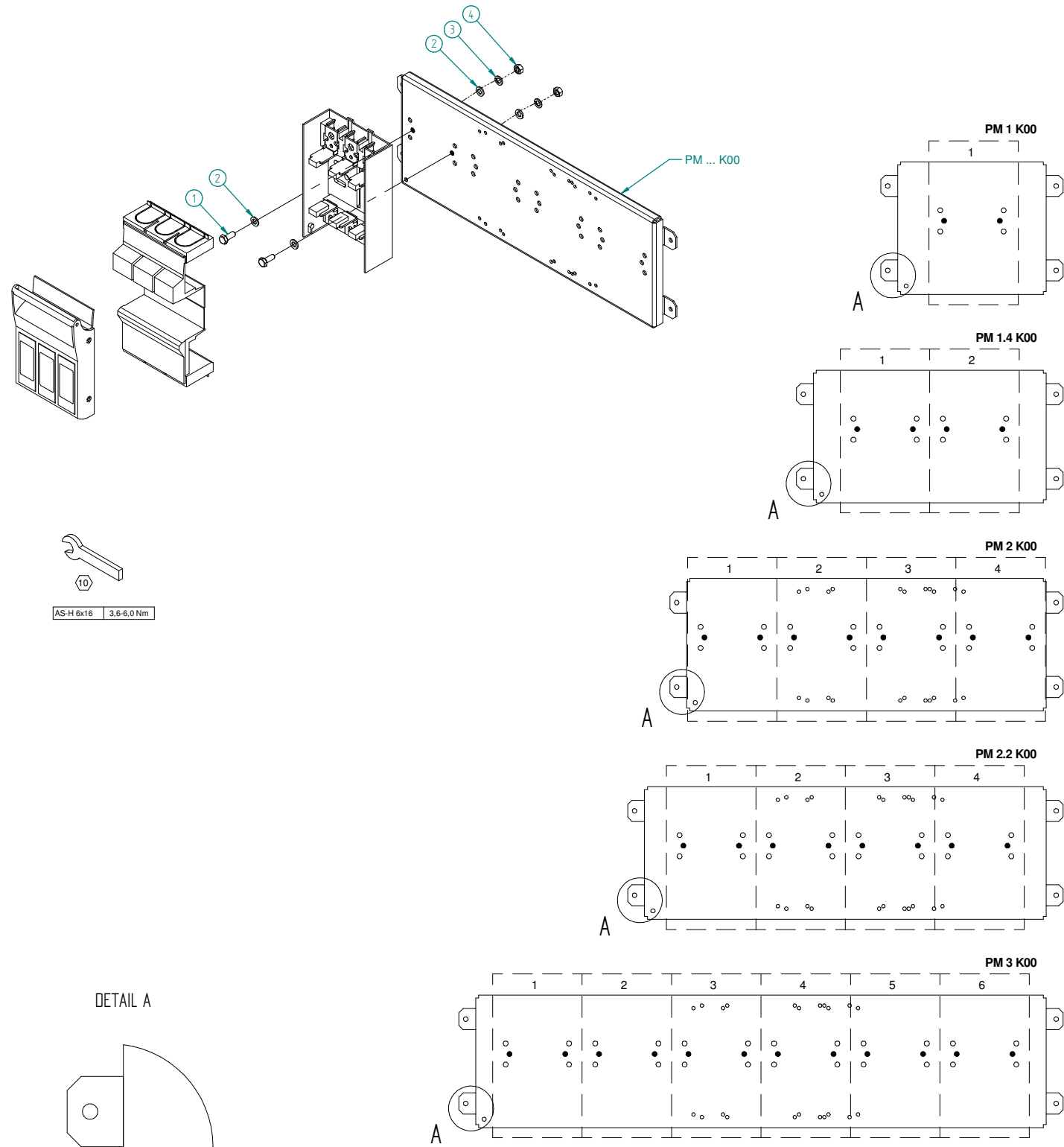


Screwdriver PH2
(Wkręтак PH2)

AS-C 5x10	2,2-3,5 Nm
AST 4.8x9.5	3,0-3,4 Nm

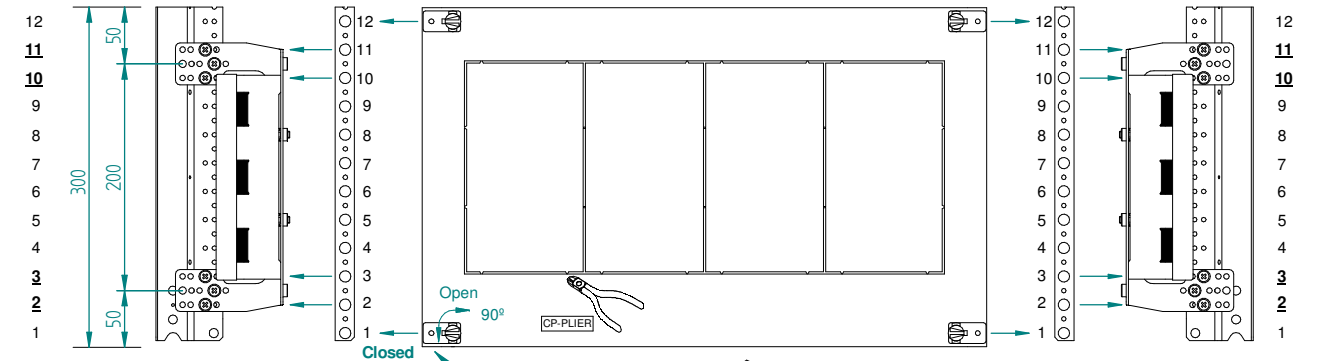


No.	Type ETI	Name	Pcs.
1	AS-H 6x16	Screw M6x16 DIN933 Zn	2
2	AW-R 6	Washer M6 DIN126 Zn	4
3	AW-S 6	Washer spring M6 DIN127 Zn	2
4	AN-H 6	Nut M6 DIN934 Zn	2



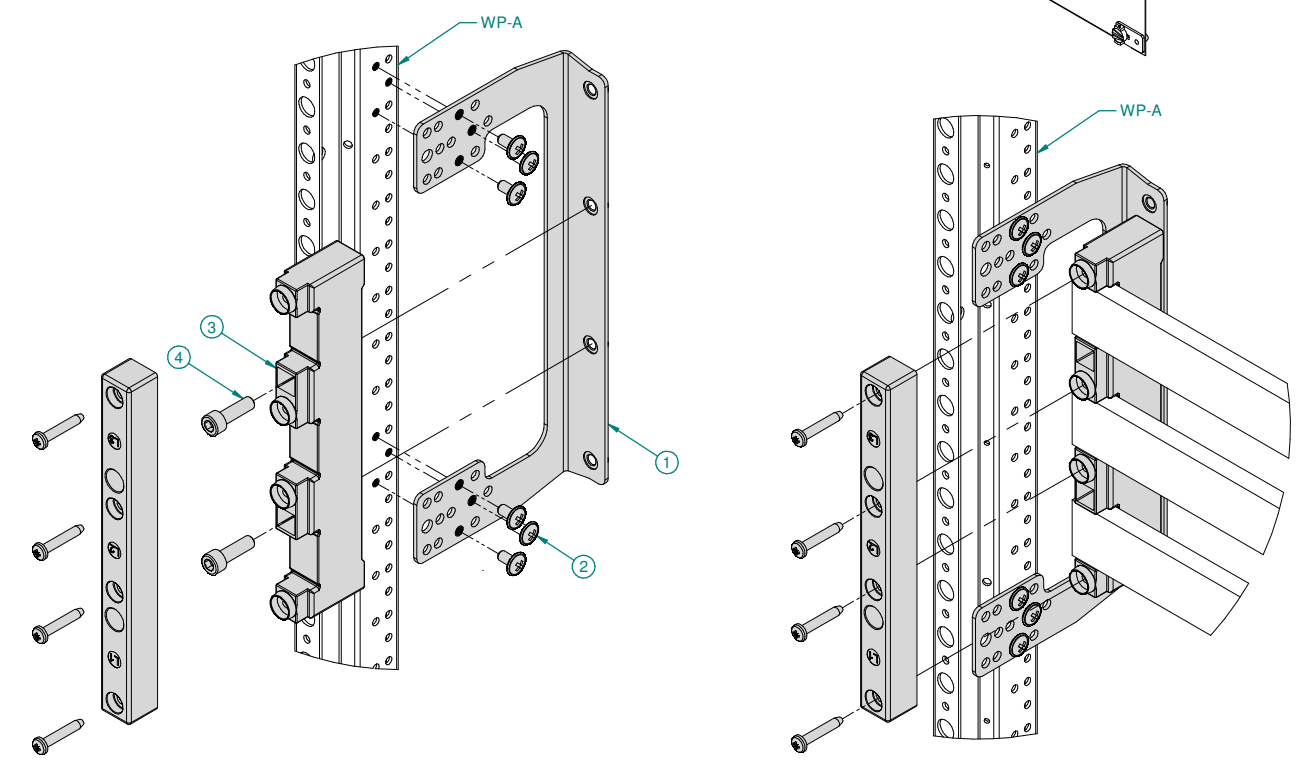
AS-H 6x16 3,6-6,0 Nm

DETAIL A
Hole-position marker
left-down
(Otwór-znacznik pozycji
lewy dolny róg)

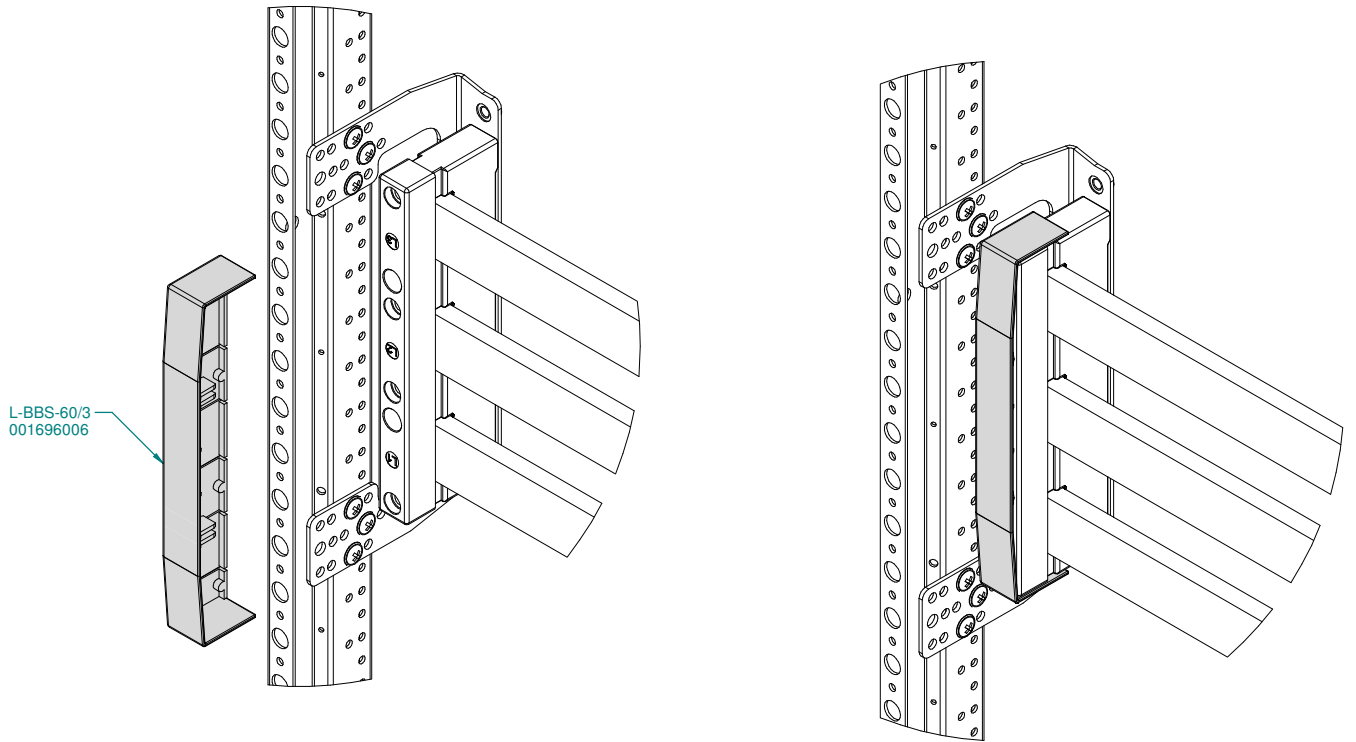


LG-B60-H P3 x 2
001341651

LG-B60-H P3			
No.	Type ETI	Name	Pcs.
1	LG-B60-H P3-C	Support	1
2	AST 4.8x9.5	Tapping screw	6
3	BBS-60/3	Busbar support	1
4	AS-SH 6x20	Screw M6x20 DIN912	2



L-BBS-60/3
001696006



L-WP-B60/3
001342181

