



EFI-P

New Series of Residual Current Circuit Breakers

With automated 100% control of all key parameters of each product



Increased reliability

**Reduced power dissipation
by up to 45%**

Thinking of safety - so you don't have to



Advantages of the new EFI-P

✎ Individual test measurements and other production data for each device can be read from the QR code, as well as instruction manuals and other technical materials

✎ Power dissipation per pole reduced by up to 45%

✎ High mechanical endurance: > 10.000 cycles

✎ High electrical endurance: > 4.000 cycles

✎ All necessary technical & installation information can be found on the front and side of the device

✎ Basic installation requirements are engraved into housing

✎ All important components are marked with a QR code, containing individual test results and thus ensuring exact traceability and highest quality control

✎ Better protection of terminals against touching the parts under voltage

✎ Patented two-step mechanism for max reliability of operation

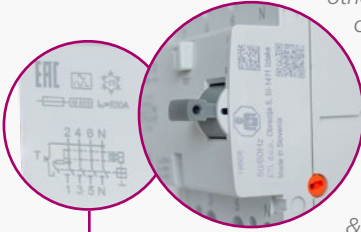
✎ Dimensionally the same as old EFI, making replacement effortless

✎ Special versions available:
- RCCB for use in 110, 125 & 127 V systems
- RCCB with neutral pole on the left side

✎ The terminals accept not only wires but also time saving busbars

✎ RCCBs can be supplied with single phase and three phase busbars

✎ Supply is possible both from top and bottom terminals



be found on the front and side of the device



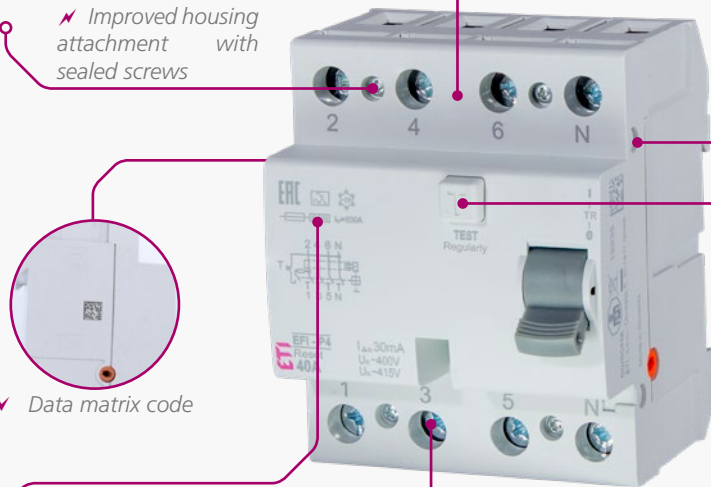
✎ Fully automated assembly line, enabling more intermediate measurements during assembly process to ensure best functionality of final product



✎ Due to dimensional and construction similarity, all EFI accessories can also be used with EFI-P



✎ Improved housing attachment with sealed screws



✎ Data matrix code



✎ Rated conditional short-circuit current: 10 kA

✎ Test button enables user to check residual functionality



✎ Real contact position indication for easier identification, whether RCCB is in ON or OFF position

✎ Clearly marked terminals to ensure appropriate connection



Commercial information

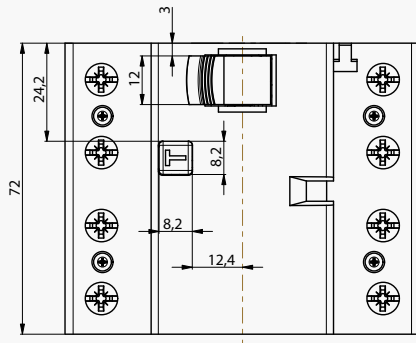
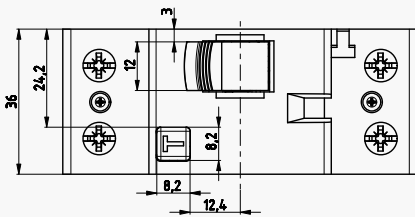
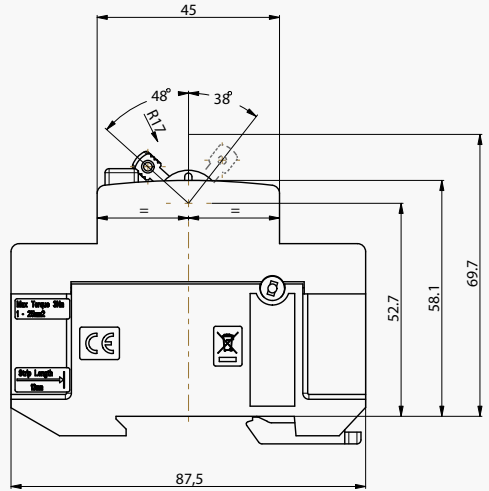
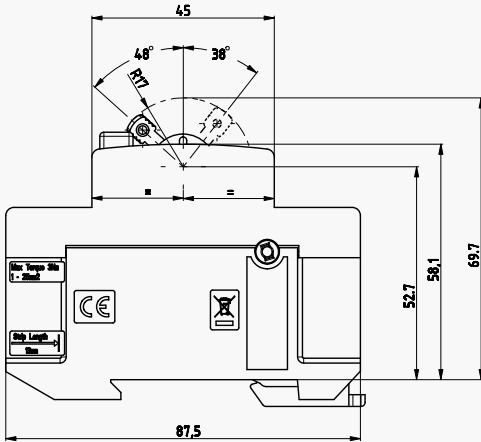
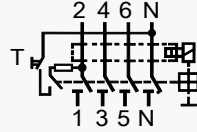
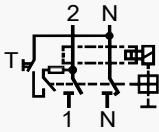
EFI-P2 X Type					
I_n	$I_{\Delta n}$	Nr. of poles	A type Instantaneous	Weight	Pack.
[A]	[A]			[g]	[pcs]
25	0,03	2	002061310	175	1/54
40	0,03	2	002061311	175	1/54
63	0,03	2	002061312	190	1/54
25	0,1	2	002061320	175	1/54
40	0,1	2	002061321	175	1/54
25	0,3	2	002061330	175	1/54
40	0,3	2	002061331	175	1/54
63	0,3	2	002061332	190	1/54

EFI-P4 X Type					
I_n	$I_{\Delta n}$	Nr. of poles	A type Instantaneous	Weight	Pack.
[A]	[A]			[g]	[pcs]
25	0,03	4	002061710	300	1/27
40	0,03	4	002061711	300	1/27
63	0,03	4	002061712	330	1/27
25	0,1	4	002061720	300	1/27
40	0,1	4	002061721	300	1/27
63	0,1	4	002061722	330	1/27
25	0,3	4	002061730	300	1/27
40	0,3	4	002061731	300	1/27
63	0,3	4	002061732	330	1/27

Technical features

Technical data EFI-P X Type		
Type	EFI-P2 X	EFI-P4 X
Electrical		
Rated Voltage U_n	230 / 240 V AC	400/415V AC
Rated current I_n	25, 40, 63A	25, 40, 63A
Rated frequency f_n	50/60Hz	50/60Hz
Rated insulation voltage U_i	440V	440V
Rated impulse withstand voltage (1,2/50 μ s)	4kV	4kV
Peak withstand current (8/20 μ s)	400A	400A
Electrical isolation	> 4mm contact space	
Rated residual operating current I_{rn}	0,03; 0,1; 0,3 & 0,5A	0,03; 0,1; 0,3 & 0,5A
Rated conditional short-circuit current I_{cn}	10kA	10kA
Rated making and breaking capacity I_m	800A	630A (EFI-P4 63A)
Max back-up fuse for short circuit protection	80A gG	63A gG (EFI-P4 63A)
Voltage range test circuit	150-264V	150-264V
Min. operating voltage	voltage independent	voltage independent
Insulating class	B	B
Standards	IEC/EN 61008	IEC/EN 61008
Mechanical Endurance	> 10.000 cycles	> 10.000 cycles
Electrical endurance	> 4.000 cycles	> 4.000 cycles
Shock resistance	acc to IEC/EN 61008-1	acc to IEC/EN 61008-1
Resistance to vibrations acc. To IEC 60068-2-7	5g (50, 60 & 500Hz)	5g (50, 60 & 500Hz)
Mechanical		
Frame size	45mm	45mm
Device height	68mm (DIN rail acc to EN6071)	
Device width	36mm (2 x Module units)	72mm (4 x Module Units)
Degree of protection	IP20	IP20
Upper and lower terminals	open mounted/lift terminals	
Terminal capacity	1-25mm ²	1-25mm ²
Terminal screw	M5 (Pozidrive PZ2)	M5 (Pozidrive PZ2)
Terminal torque	max 3Nm	max 3Nm
Busbar thickness	0,8 - 2 mm	0,8 - 2 mm
Operating temperature	-25°C ... +55°C	-25°C ... +55°C
Storage and transport temperature	-40°C ... +70°C	-40°C ... +70°C
Resistance to climatic conditions	IEC/EN 61008	IEC/EN 61008
Contact position indicator	mechanical red/green	
Mounting position	any	
Mounting on the rail	35mm acc to EN50022	
Supply possibility	top or bottom	

In [A]	Power dissipation EFI-P2	Power dissipation EFI-P4
	P/pole [W]	P/pole [W]
25		
40	1,0-1,1	1,2-1,5
63	2,7-3,1	3,2-3,8



ETI group



www.etigroup.eu

PARENT COMPANY

ETI D.O.O.
Obrezija 5, 1411 Izlake, Slovenia
Phone: +386 3 5657 570
E-mail: eti@eti.si
<http://www.etigroup.eu>
<http://www.eti.si>

ETI POLAM SP. Z O.O.
Ul. Jana Pawla II 18, 06100 Pułtusk, Poland
Phone: +48 23 691 93 00
E-mail: etipolam@etipolam.com.pl
<http://www.etipolam.com.pl>

ETI HU ELEKTROTECHNIKAI, KFT.
Rokolya utca 25, 1131 Budapest, Hungary
Phone: +36 1 238 0784
E-mail: eti@eti-hu.hu
<http://www.eti-hu.hu>

ETI SARAJEVO D.O.O.
Hifzi Bjelevca 13, 71 000 Sarajevo, BiH
Phone: +387 33 77 52 50
E-mail: etisa@bih.net.ba
<http://www.eti.ba>

ETI RUSSIA
St. Ugreshskaya d. 2, Moscow, Russia
Tel: +7 (495) 665-34-80
E-mail: info@etirus.ru
www.etimoskva.ru

ASSOCIATED COMPANIES

ITALWEBER S.P.A.
Via Enrico Fermi 40/42, 20090 Assago, Italy
Phone: +39 02 939 771
E-mail: info@italweber.it
<http://www.italweber.it>

ETI ELEKTROELEMENT S.R.O.
Paceřícká 2773/1
9300 Praha - Horní Počernice
Phone: +420 777 950 203
E-mail: jan.tichy@etielektroelement.cz

ETI ROMANIA S.R.L.
Str. Doina, Nr. 17, Sector 5, Bucharest, Romania
Phone: +40 (0)21 317 1743
E-mail: eti.electrice@gmail.com
<http://www.etigroup.ro>

ETI UKRAINE, LTD
Ul. Akademika Tupoleva 19,
04128 Kiev, Ukraine
Phone: +380 44 494 21 80
E-mail: office@eti.ua
<http://www.eti.ua>

ETI ELEKTROELEMENT D.O.O.
For technical engineering and store
of electrotechnical products
Ulica grada Vukovara 235/V,
10000 Zagreb, Croatia
<http://www.eti.si/hr>

SUBSIDIARIES

ETI PROPLAST D.O.O.
Obrezija 5, 1411 Izlake, Slovenia
Phone: +386 3 56 57 590
E-mail: etiproplast@eti.si
<http://www.etiproplast.si>

ETIBALTUS, UAB
Tilzes 41a, 47187 Kaunas, Lithuania
Phone: +370 37 261 582
E-mail: info@etibaltus.lt
<http://www.etibaltus.lt>

ETI PROSTIK D.O.O.
Obrezija 5, 1411 Izlake, Slovenia
Phone: +386 3 56 57 463
E-mail: etiprostik@eti.si

ETI ELEKTROTECHNIK GMBH
Dorfwiesenberg 13, 63828 Kleinkahl, Germany
Phone: +49 6024 6397-0
E-mail: contact@eti-de.de
<http://www.eti-de.de>

ETI B
Zvečanska 56/17
11000 Beograd, Serbia
Phone: +381 (0)11 3961 688
E-mail: miodrag.stojkovic@etib.rs
<http://www.etib.rs>